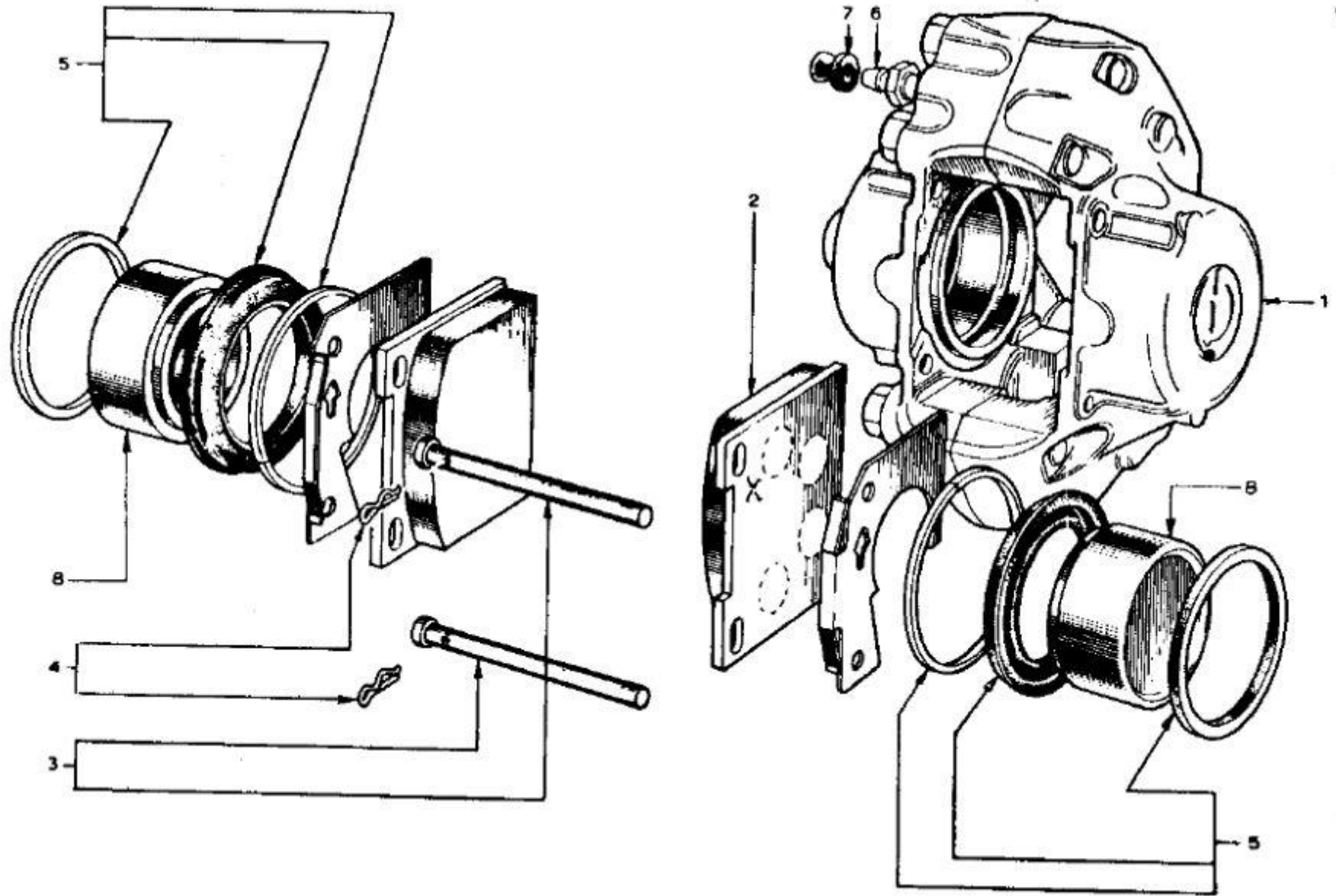


JC



Lotus Europa TC/TCS Parts Manual - Section JC - Brakes - Front Calipers and Pads - Page 2

Item	Lotus #	S1	S1A/B	S2	S2 Fed	TC	TC Fed	TCS	TCS F	LHD	RHD	Description	Change Point Notes Bulletin Reference
1	A036J6105Z					1	1	1	1			Brake Caliper - L/H (Less Pads)	
1	A036J6106Z					1	1	1	1			Brake Caliper - R/H (Less Pads)	
2	A074J0188Z					1	1	1	1			Brake Pad Set	
3	X036J6011Z					4	4	4	4			Pin - Pad retaining	
4	X036J6012Z					4	4	4	4			Clip - Pin Retaining	
5	X036J6003Z											Kit - Caliper Repair (As Required)	
6	X036J6004Z					2	2	2	2			Screw - Bleed	
7	X036J6005Z					2	2	2	2			Cover - Bleed Screw	
8	X036J6000Z					4	4	4	4			Piston	