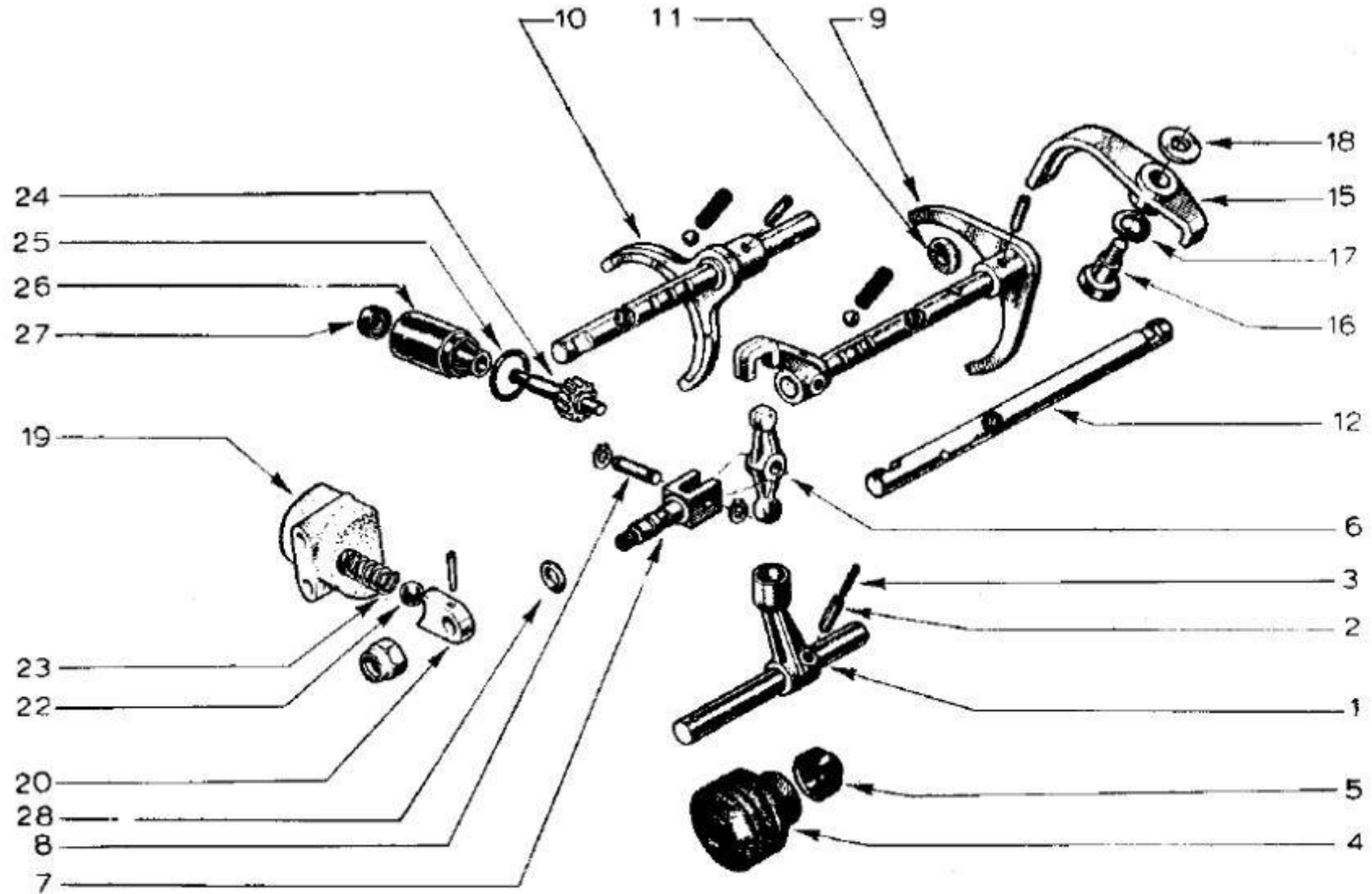
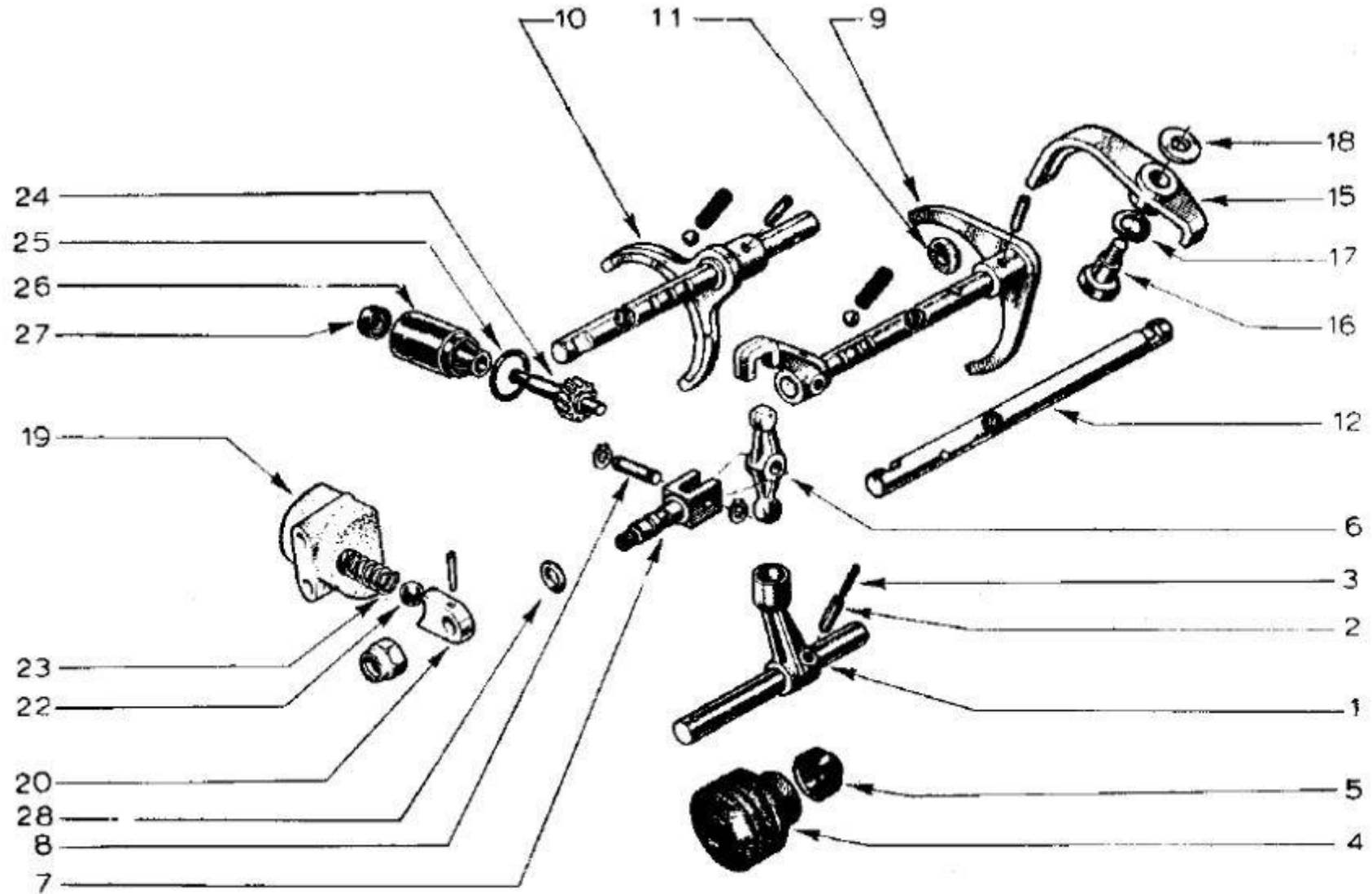


FK



Item	Lotus #	S1	S1A/B	S2	S2 Fed	TC	TC Fed	TCS	TCS F	LHD	RHD	Description	Change Point Notes Bulletin Reference
1	A074F6066Z					1	1	1	1			Control Shaft - 13 mm diameter	
1	A074F6025Z					1	1	1	1			Control Shaft - 15 mm diameter	Gearboxes Ser. No. 17,000 onwards
2	A074F6074Z					1	1	1	1			Roll Pin - Outer	
3	A074F6073Z					1	1	1	1			Roll Pin - Inner	
4	A074F6067Z					1	1	1	1			Cap - Protective	
5	A074F6075Z					1	1	1	1			Seal	For 13 mm diameter control shaft
5	A074F6076Z					1	1	1	1			Seal	Alternative for A074F6075Z
5	A074F6029Z					1	1	1	1			Seal	For 15 mm diameter control shaft
6	A074F6072Z					1	1	1	1			Rocking Lever	
7	A074F6064Z					1	1	1	1			Shaft - Rocking Lever	
8	A074F6063Z					1	1	1	1			Pivot Pin	
8	A074F6062Z					2	2	2	2			Circlip - Pivot Pin	
9	A074F6069Z					1	1	1	1			Selector Shaft with Fork 1st/2nd Gear	
9	X046F6099Z					1	1	1	1			Roll Pin - 1st/2nd Fork - Selector Shaft with Fork 1st/2nd Gear	
9	A046F6161Z					1	1	1	1			Spring - Selector Shaft with Fork 1st/2nd Gear	
9	A046F6030Z					1	1	1	1			Locking Ball - Selector Shaft with Fork 1st/2nd Gear	
10	A074F6059Z					1	1	1	1			Selector Shaft with Fork 3rd/4th Gear	
10	X046F6099Z					1	1	1	1			Roll Pin - 3rd/4th Fork - Selector Shaft with Fork 3rd/4th Gear	
10	A046F6101Z					1	1	1	1			Spring - Selector Shaft with Fork 3rd/4th Gear	
10	A046F6030Z					1	1	1	1			Locking Ball - Selector Shaft with Fork 3rd/4th Gear	
11	A074F6070Z					1	1	1	1			Locking Disc	
12	X046F6011Z					1	1	1	1			Selector Shaft - Reverse	
15	A074F6068Z					1	1	1	1			Selector - Reverse Gear (Pivot hole Dia 12 mm)	Pivot hole Dia 12 mm
15	A074F6032Z					1	1	1	1			Selector - Reverse Gear (Pivot hole Dia 14 mm)	
16	X046F6122Z					1	1	1	1			Pivot Bolt (Dia 12 mm)	
16	A074F6033Z					1	1	1	1			Pivot Bolt (Dia 14 mm)	
17	X046F6121Z					1	1	1	1			Washer (I/D 12 mm)	
17	A074F6034Z					1	1	1	1			Washer (I/D 14 mm)	
18	X046F6119Z					1	1	1	1			Spacer Washer	

FK



Item	Lotus #	S1	S1A/B	S2	S2 Fed	TC	TC Fed	TCS	TCS F	LHD	RHD	Description	Change Point Notes Bulletin Reference
19	B074F0200Z					1	1			+	+	Housing - Reverse Indent	
19	B074F0212Z					1	1	1	1			Housing - Reverse Indent	Introduced at Unit No: U.K. 1782P European 1101Q Federal 2648R
20	A074F0202Z					1	1			+	+	Cam - Reverse Indent	
20	A074F6012Z					1	1			+	+	Pin - Spirol - 1/8 ins. x 1.00 ins. - Cam - Reverse Indent	
20	A074F6065Z					1	1			+	+	Nut - Cam - Reverse Indent	
20	B074F0202Z					1	1	1	1			Cam - Reverse Indent	
20	A0074F6023Z					1	1	1	1			Pin - Spirol - 1/16 ins. x 1.00 ins. - Cam - Reverse Indent	
20	A074F6065Z					1	1	1	1			Nut - Cam - Reverse Indent	
22	A074F6014Z					1	1	1	1			Ball - Reverse Indent	
23	B074F0206Z					1	1	1	1			Spring - Reverse Indent	
23	D074F0208Z					1	1			+	+	Cover - Reverse Indent	
23	A074F0222Z					1	1	1	1			Cover - Reverse Indent	As B074F0212Z
24	A074F6061Z					1	1	1	1			Speedometer Driven Gear	
25	X046F6107Z					1	1	1	1			O Ring Seal	
26	A074F6060Z					1	1	1	1			Guide	
27	X046F6105Z					1	1	1	1			Ring Seal	
28	A074F6178Z											O Ring	