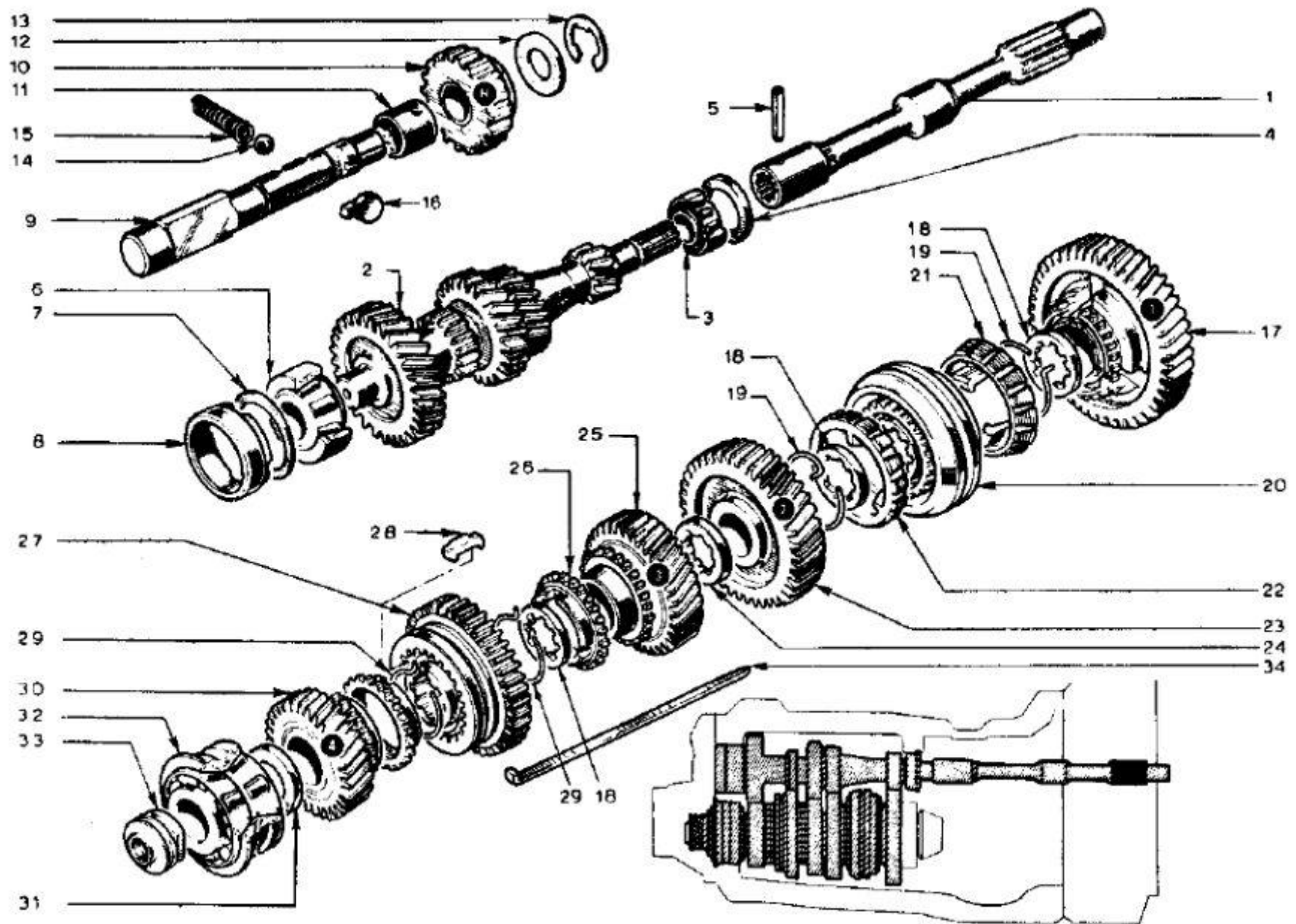


FG

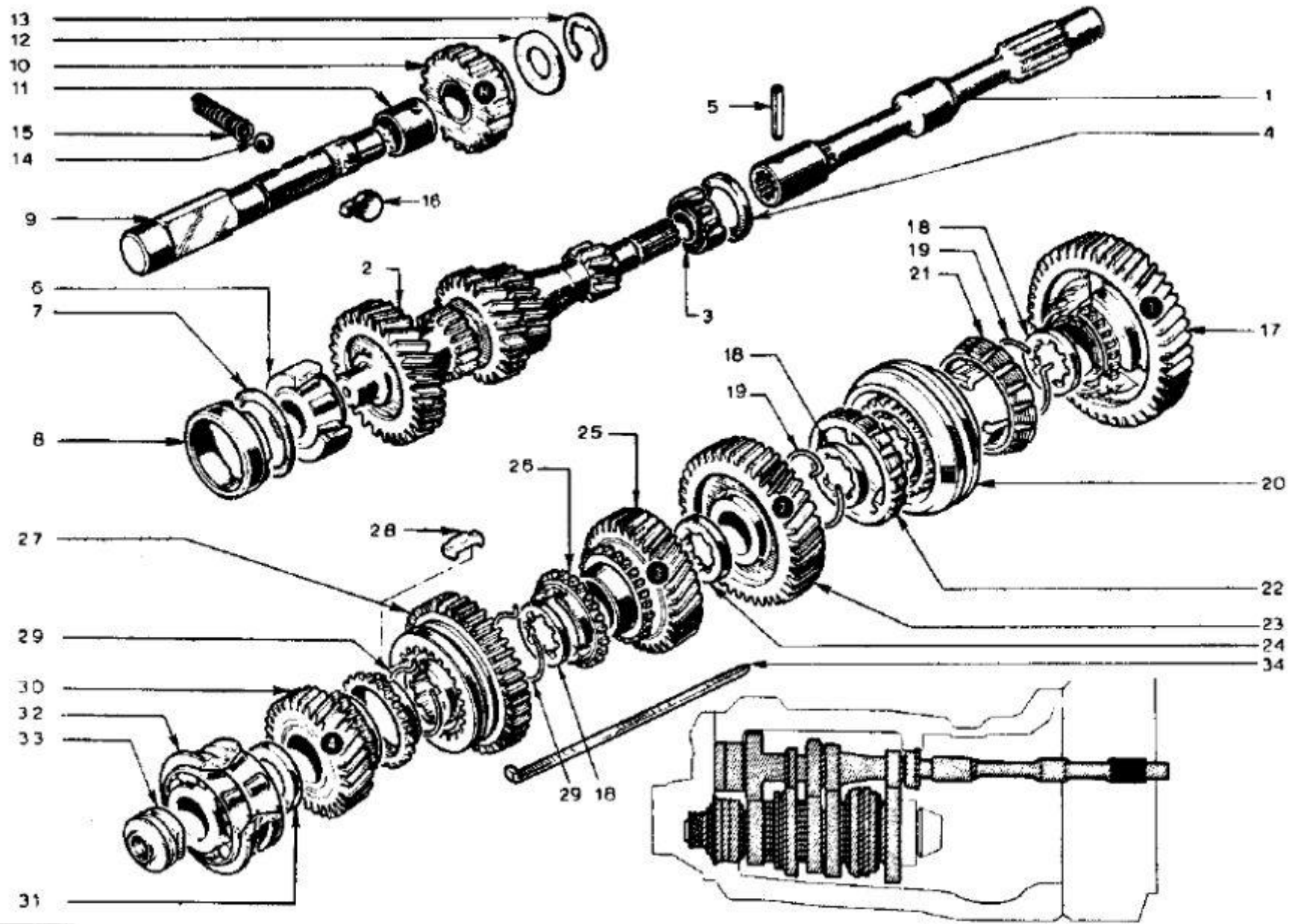


336 & 352

F109

Item	Lotus #	S1	S1A/B	S2	S2 Fed	TC	TC Fed	TCS	TCS F	LHD	RHD	Description	Change Point Notes Bulletin Reference
1	X046F6050Z					1	1			+	+	Clutch Shaft (336 Gearbox)	
1	A074F6052Z					1	1	1	1			Clutch Shaft (352 Gearbox)	
2	B046F6034Z					1	1	1	1			Primary Shaft	
3	X046F6051Z					1	1	1	1			Bearing	
4	X046F6082Z											Shim - 2.00 mm. (As Required)	
4	X046F6083Z											Shim - 2.25 mm. (As Required)	
4	X046F6084Z											Shim - 2.50 mm. (As Required)	
4	X046F6085Z											Shim - 2.75 mm. (As Required)	
4	X046F6086Z											Shim - 3.00 mm. (As Required)	
4	X046F6087Z											Shim - 3.25 mm. (As Required)	
4	X046F6088Z											Shim - 3.50 mm. (As Required)	
4	X046F6089Z											Shim - 3.75 mm. (As Required)	
4	X046F6090Z											Shim - 4.00 mm. (As Required)	
5	A06F6033Z					1	1	1	1			Roll Pin	
6	X046F6035Z					1	1	1	1			Bearing	
7	X046F6077Z											Shim - 0.10 mm. (As Required)	
7	X046F6078Z											Shim - 0.20 mm. (As Required)	
7	X046F6079Z											Shim - 0.25 mm. (As Required)	
7	X046F6080Z											Shim - 0.50 mm. (As Required)	
7	X046F6081Z											Shim - 1.00 mm. (As Required)	
8	X046F6036Z					1	1	1	1			Retaining Ring	
9	A046F6031Z					1	1	1	1			Shaft - Reverse Gear	
10	X046F6027Z					1	1	1	1			Reverse Gear	
11	X046F6028Z					1	1			+	+	Bush (336 Gearbox)	
12	X046F6026Z					1	1	1	1			Thrust Washer	
13	X046F6025Z					1	1	1	1			Circlip	
14	A046F6030Z					1	1	1	1			Locking Ball	
15	A046F6029Z					1	1	1	1			Spring	
16	A046F6032Z					1	1	1	1			Guide	
17	A046F6053Z					1	1	1	1			Gear - 1st	
18	X046F6038Z					3	3	3	3			Stop Washer	
19	X046F6052Z					2	2	2	2			Synchro Spring	
20	X046F6058Z					1	1	1	1			Synchroniser Hub (yellow)	

FG



336 & 352

F109

Item	Lotus #	S1	S1A/B	S2	S2 Fed	TC	TC Fed	TCS	TCS F	LHD	RHD	Description	Change Point Notes Bulletin Reference
20	X046F6059Z					1	1	1	1			Synchroniser Hub (blue)	
21	X046F6054Z					1	1	1	1			Synchroniser Ring - 1st	
22	X046F6060Z					1	1	1	1			Synchroniser Ring - 2nd	
23	B046F6061Z					1	1	1	1			Gear - 2nd	
24	X046F6062Z					1	1	1	1			Stop Washer	
25	X046F6037Z					1	1	1	1			Gear - 3rd	
26	X046F6046Z					2	2	2	2			Synchroniser Ring - 3rd/4th	
27	X046F6042Z					1	1	1	1			Synchroniser - 3rd/4th (yellow)	
27	X046F6043Z					1	1	1	1			Synchroniser - 3rd/4th (blue)	
28	X046F6039Z					3	3	3	3			Key	
29	X046F6040Z					2	2	2	2			Synchro Spring	
30	X046F6047Z					1	1	1	1			Gear - 4th	
31	X046F6064Z											Shim - 3.50 mm. (As Required)	
31	X046F6065Z											Shim - 3.55 mm. (As Required)	
31	X046F6066Z											Shim - 3.60 mm. (As Required)	
31	X046F6067Z											Shim - 3.65 mm. (As Required)	
31	X046F6068Z											Shim - 3.70 mm. (As Required)	
31	X046F6069Z											Shim - 3.75 mm. (As Required)	
31	X046F6070Z											Shim - 3.80 mm. (As Required)	
31	X046F6071Z											Shim - 3.85 mm. (As Required)	
31	X046F6072Z											Shim - 3.90 mm. (As Required)	
31	X046F6073Z											Shim - 3.95 mm. (As Required)	
31	X046F6074Z											Shim - 4.00 mm. (As Required)	
31	X046F6075Z											Shim - 4.05 mm. (As Required)	
31	X046F6076Z											Shim - 4.10 mm. (As Required)	
32	X046F6048Z					1	1	1	1			Bearing	
33	X046F6049Z					1	1			+	+	Speedometer Worm Nut (336 Gearbox)	
33	A074F6054Z					1	1	1	1			Speedometer Worm Nut (352 Gearbox)	
34	A074F6063Z					1	1	1	1			Key	