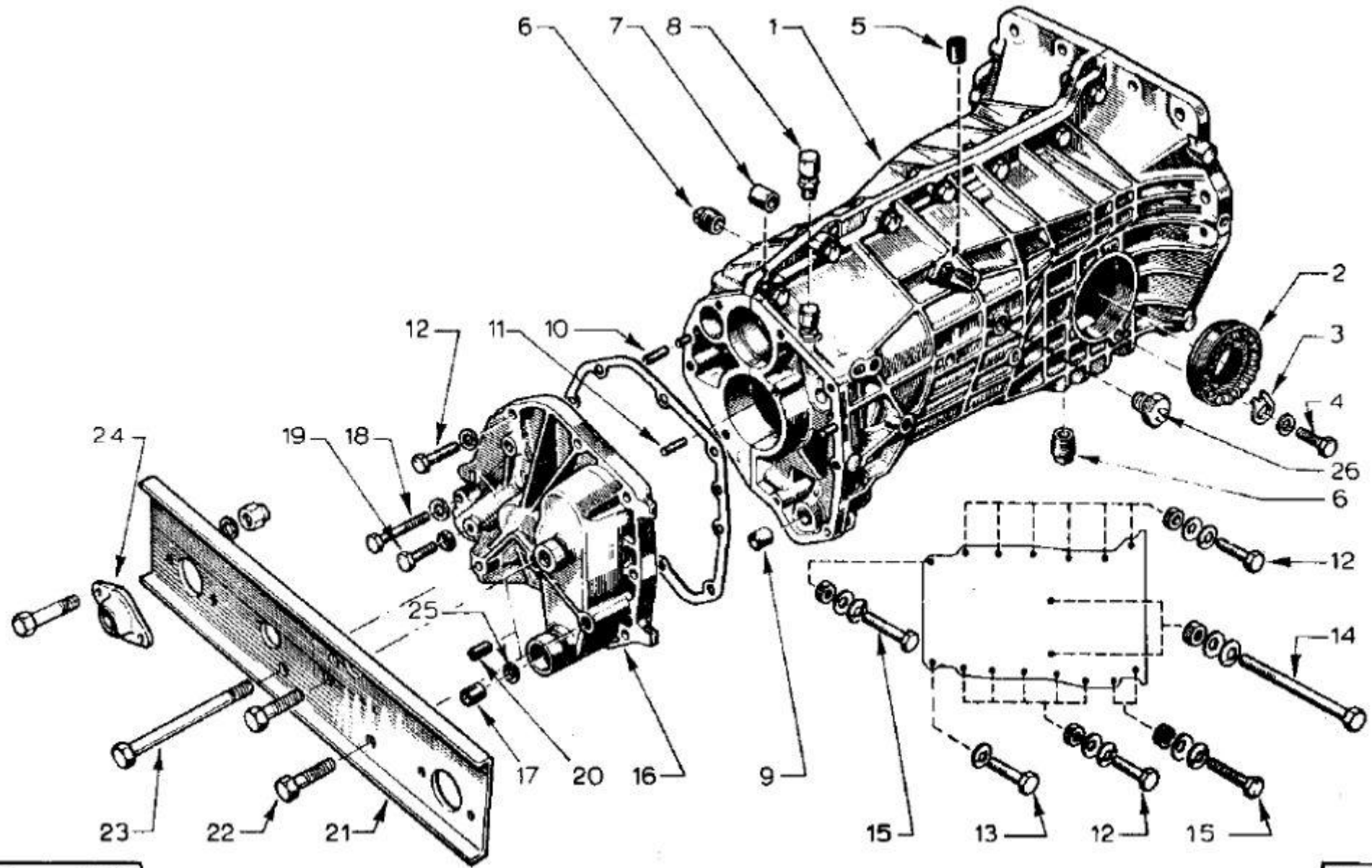


FD

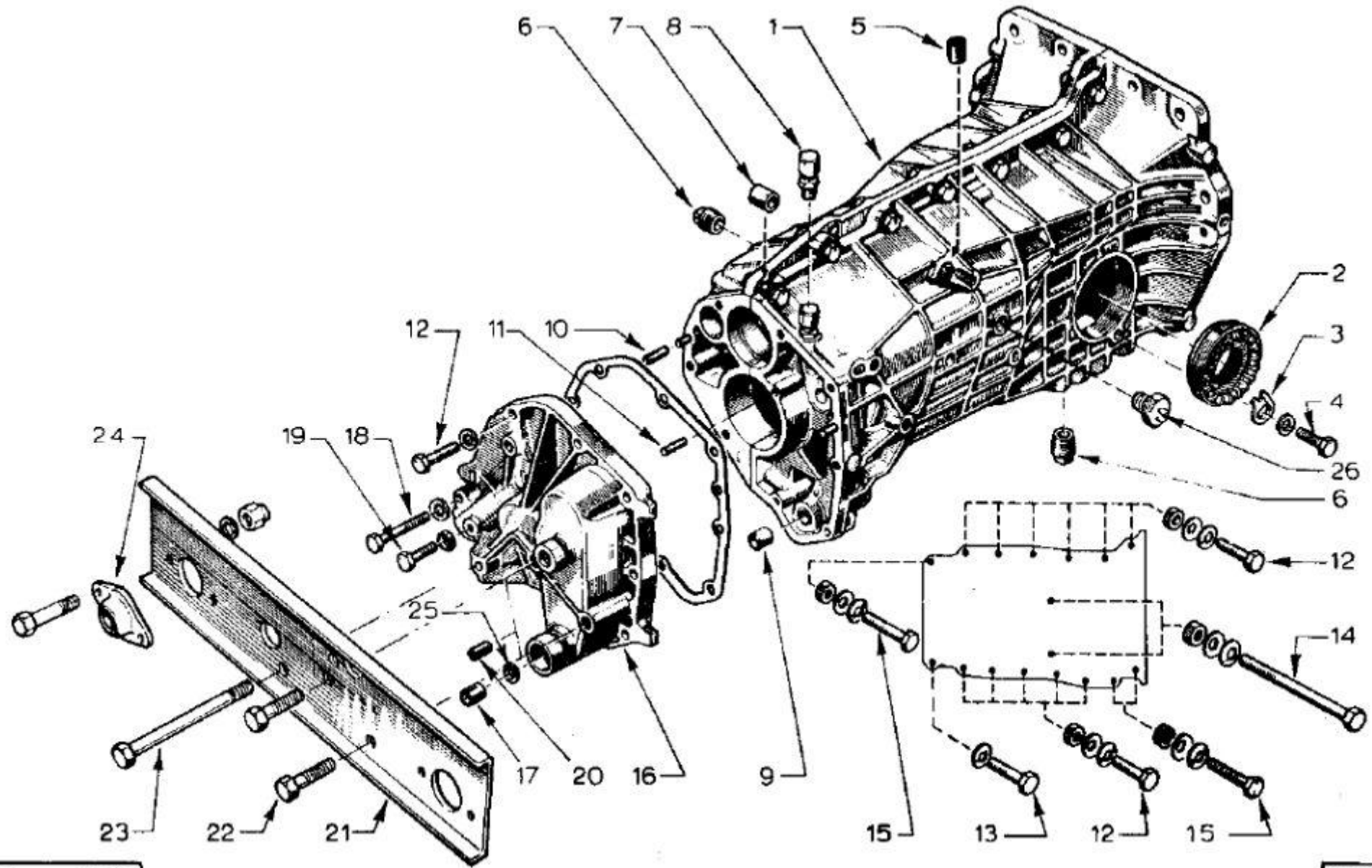


Type 352

F107

Item	Lotus #	S1	S1A/B	S2	S2 Fed	TC	TC Fed	TCS	TCS F	LHD	RHD	Description	Change Point Notes Bulletin Reference
	PA074F6003W					1	1	1	1			Gearbox Assembly (13 mm diameter control shaft)	
	B074F6003W					1	1	1	1			Gearbox Assembly (15 mm diameter control shaft)	Gearbox Ser. No. 17000 onwards
1	A074F6044Z					1	1	1	1			Gearbox Casing (13 mm diameter control shaft)	
1	A074F6030Z					1	1	1	1			Gearbox Casing (15 mm diameter control shaft)	
2	A074F6045Z					2	2	2	2			Nut - Bearing Retaining	
3	X046F6015Z					2	2	2	2			Tabwasher	
3	A074W6000Z					2	2	2	2			Washer	
4	A074W6001Z					2	2	2	2			Bolt	
5	X046F6013Z					1	1	1	1			Helicoil Insert	
6	A074F6046Z					2	2	2	2			Plug - Oil Filler/Drain	
7	X046F6003Z					2	2	2	2			Dowel	
8	X046F6005Z					1	1	1	1			Breather	
9	Z074F6051Z					1	1	1	1			Bush (13 mm diameter control shaft)	
9	A074F6026Z					1	1	1	1			Bush (15 mm diameter control shaft)	
10	X046F6004Z					2	2	2	2			Dowel Pin	
11	X046F6009Z					1	1	1	1			Dowel Pin	
12	A046W6086Z					17	17	17	17			Bolt - 7 x 35	
12	A074W6003Z					11	11	11	11			Washer - Bolt - 7 x 35	
12	A046W6084Z					11	11	11	11			Nut - Bolt - 7 x 35	
13	A046W6089Z					1	1	1	1			Washer - Bolt - 7 x 35	
	A074W6003Z					1	1	1	1			Washer	
14	A046W6088Z					2	2	2	2			Bolt - 8 x 10	
14	A074W6004Z					4	4	4	4			Washer - Bolt - 8 x 10	
14	A046W6087Z					2	2	2	2			Nut - Bolt - 8 x 10	
15	A046W6090Z					3	3	3	3			Bolt - 7 x 40	
15	A074W6003Z					6	6	6	6			Washer - Bolt - 7 x 40	
15	A046W6084					3	3	3	3			Nut - Bolt - 7 x 40	
16	A074F6048Z					1	1	1	1			Rear Casing	For 13 mm. dia. Control shaft
16	A074F6013Z					1	1	1	1			Rear Casing	For 15 mm. dia. Contrlo shaft
16	A074F6047Z					1	1	1	1			Rear to Main Casings Gasket	
17	A074F6050Z					1	1	1	1			Bush	For 13 mm. dia. Control shaft
17	A074F6027Z					1	1	1	1			Bush	For 15 mm. dia. Control shaft
18	A046W6092Z					1	1	1	1			Bolt - 7 x 70	

FD



Type 352

F107

Item	Lotus #	S1	S1A/B	S2	S2 Fed	TC	TC Fed	TCS	TCS F	LHD	RHD	Description	Change Point Notes Bulletin Reference
19	A074W6006Z					1	1	1	1			Bolt	
19	A074W6007Z					1	1	1	1			Washer - For Bolt A074W6006Z	
20	A074F6049Z					2	2	2	2			Helicoil Insert	
21	B074F0185Z					1	1	1	1			Mounting Plate - Gearbox to Chassis	
21	C074F0185Z					1	1	1	1			Mounting Plate - Gearbox to Chassis	Introduced at Unit No. U.K. ? European ? Federal ?
22	XMMB0720					2	2	2	2			Bolt - Attaching	For B074F0185Z
22	A074F0288Z					2	2	2	2			Stud - Attaching	For C074F0185Z
23	XMMB0780					1	1	1	1			Bolt - Attaching	For B074F0185Z
23	A074F0287Z					1	1	1	1			Stud - Attaching	For C074F0185Z
23	L08W0000					3	3	3	3			Washer - Shakeproof	For C074F0185Z
23	YMMN070F					3	3	3	3			Nut	For C074F0185Z
24	A074F6008Z					2	2	2	2			Mounting	
24	XMMB12100Z					2	2	2	2			Bolt - Attaching - gearbox Mounting to Chassis	
25	A074W6008Z					1	1	1	1			Washer	For 13 mm. dia. control shaft
25	A074F6028Z					1	1	1	1			Washer	For 15 mm. dia. control shaft
26	A065M6002Z					1	1	1	1			Reversing Lamp Switch	