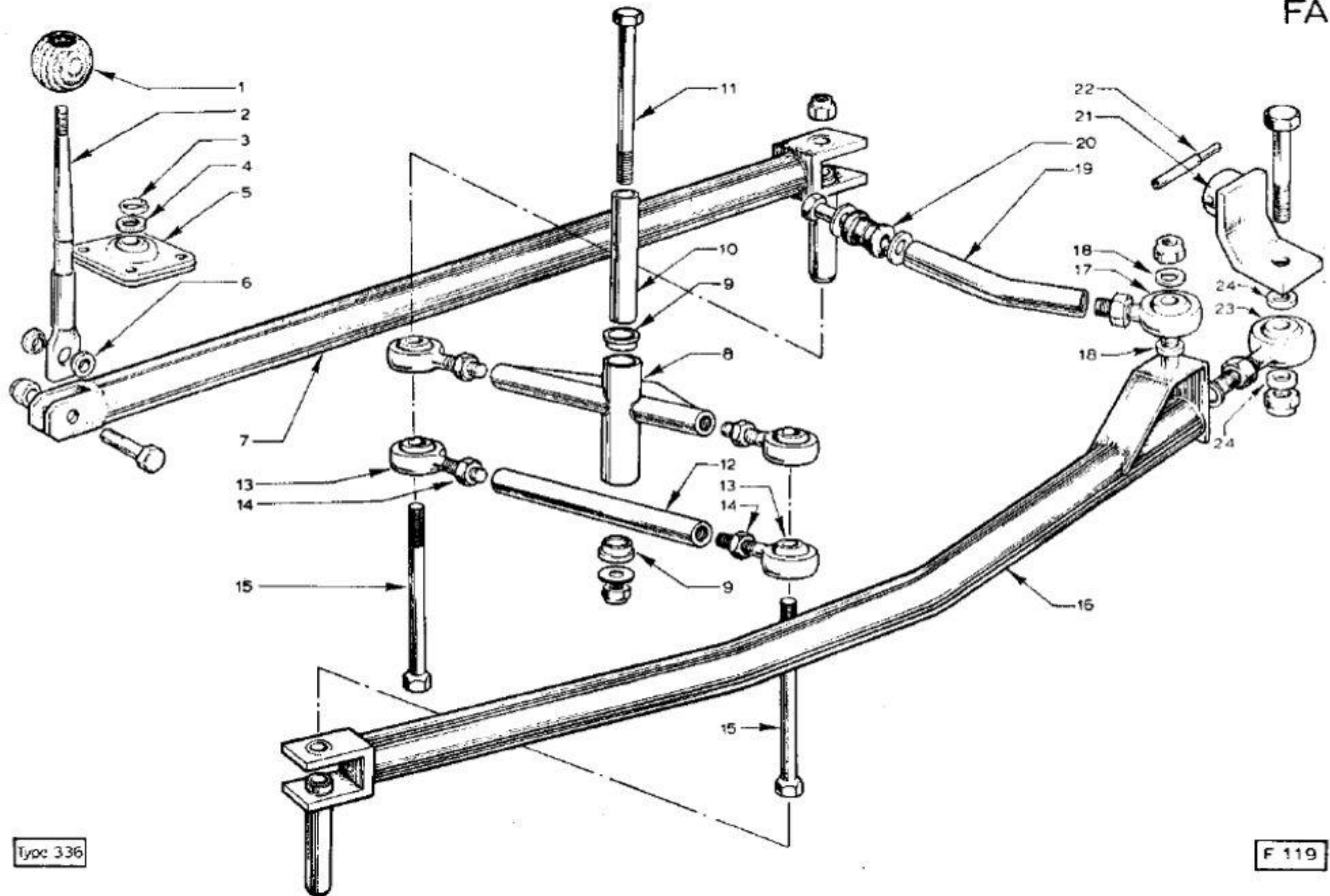


FA



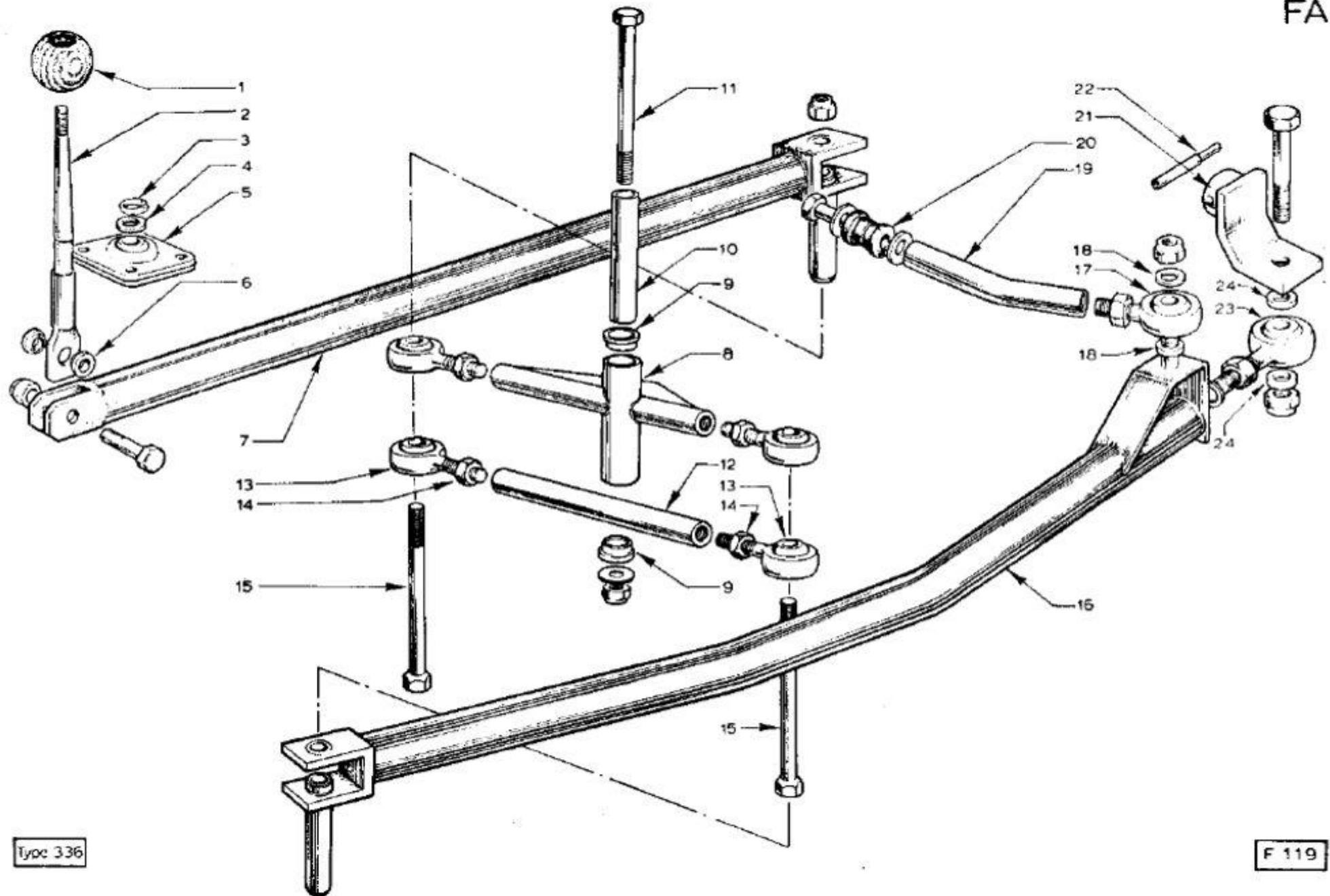
Type 336

F 119

Lotus Europa TC/TCS Parts Manual - Section FA - Transmission - Shift Linkage (336) - Page 2

Item	Lotus #	S1	S1A/B	S2	S2 Fed	TC	TC Fed	TCS	TCS F	LHD	RHD	Description	Change Point Notes Bulletin Reference
1	X054F0002A					1	1			+	+	Knob - Gear Lever	
2	A065F0155Y					1	1			+	+	Lever - Gear	
3	X046F6156Z					1	1			+	+	Circlip	
4	X065F0156Z					1	1			+	+	Spacer	
5	A065F6003Z					1	1			+	+	Ball Joint	
5	A065F0171Z					1	1			+	+	Plate - Bearing - Upper	
5	A065F0172Z					1	1			+	+	Plate - Bearing - Lower	
5	A074F0290Z					1	1			+	+	Plate - Spacer	
5	41					4	4			+	+	Screw - Attaching - Plate - Spacer	
5	A03W0605					4	4			+	+	Washer - Plate - Spacer	
5	203					4	4			+	+	Nut - Plate - Spacer	
6	X046F6153Z					2	2			+	+	Bush - Lever to Front Link	
6	3B					1	1			+	+	Bolt - Lever to Link Attaching	
6	20B					1	1			+	+	Nut - Lever to Link Attaching	
7	A074F0175Z					1	1			+	+	Link - Front Longitudinal	
8	B054F0127Z					1	1			+	+	Relay Lever	
9	X046F6163Z					2	2			+	+	Bush	
12	X054F0151Z					1	1			+	+	Tube - Swivel	
11	6C					1	1			+	+	Bolt - Tube - Swivel	
11	110A					1	1			+	+	Washer - Tube - Swivel	
11	YUFN040F					1	1			+	+	Nut - Tube - Swivel	
12	A065F0160Z					1	1			+	+	Tube - Link	
13	A065F6000Z					4	4			+	+	Ball Joint	
14	AUFN050FZ					4	4			+	+	Nut	
15	A065F0164Z					2	2			+	+	Bolt	
15	211					2	2			+	+	Nut	
16	A074F0176Z					1	1			+	+	Link - Rear Longitudinal	
17	A065F6000Z					1	1			+	+	Ball Joint	
18	A065F0170Z					2	2			+	+	Spacer	
19	A074F0179Z					1	1			+	+	Link - Location	
20	X054F6003Z					2	2			+	+	Gromet	
20	13C					1	1			+	+	Bolt - Gromet	
20	118					2	2			+	+	Washer - Gromet	

FA



Type 336

F 119

Item	Lotus #	S1	S1A/B	S2	S2 Fed	TC	TC Fed	TCS	TCS F	LHD	RHD	Description	Change Point Notes Bulletin Reference
21	A074F0178Z					1	1			+	+	Actuator - Gearbox	
22	X046F6151Z					1	1			+	+	Pin - Tension	
23	A065F6001Z					1	1			+	+	Ball Joint	
23	121					1	1			+	+	Washer - Ball Joint to Link	
23	216					1	1			+	+	Nut - Ball Joint to Link	
24	A065F0170Z					2	2			+	+	Spacer	
24	26					1	1			+	+	Bolt - Ball Joint to Actuator	
24	215					1	1			+	+	Nut - Ball Joint to Actuator	