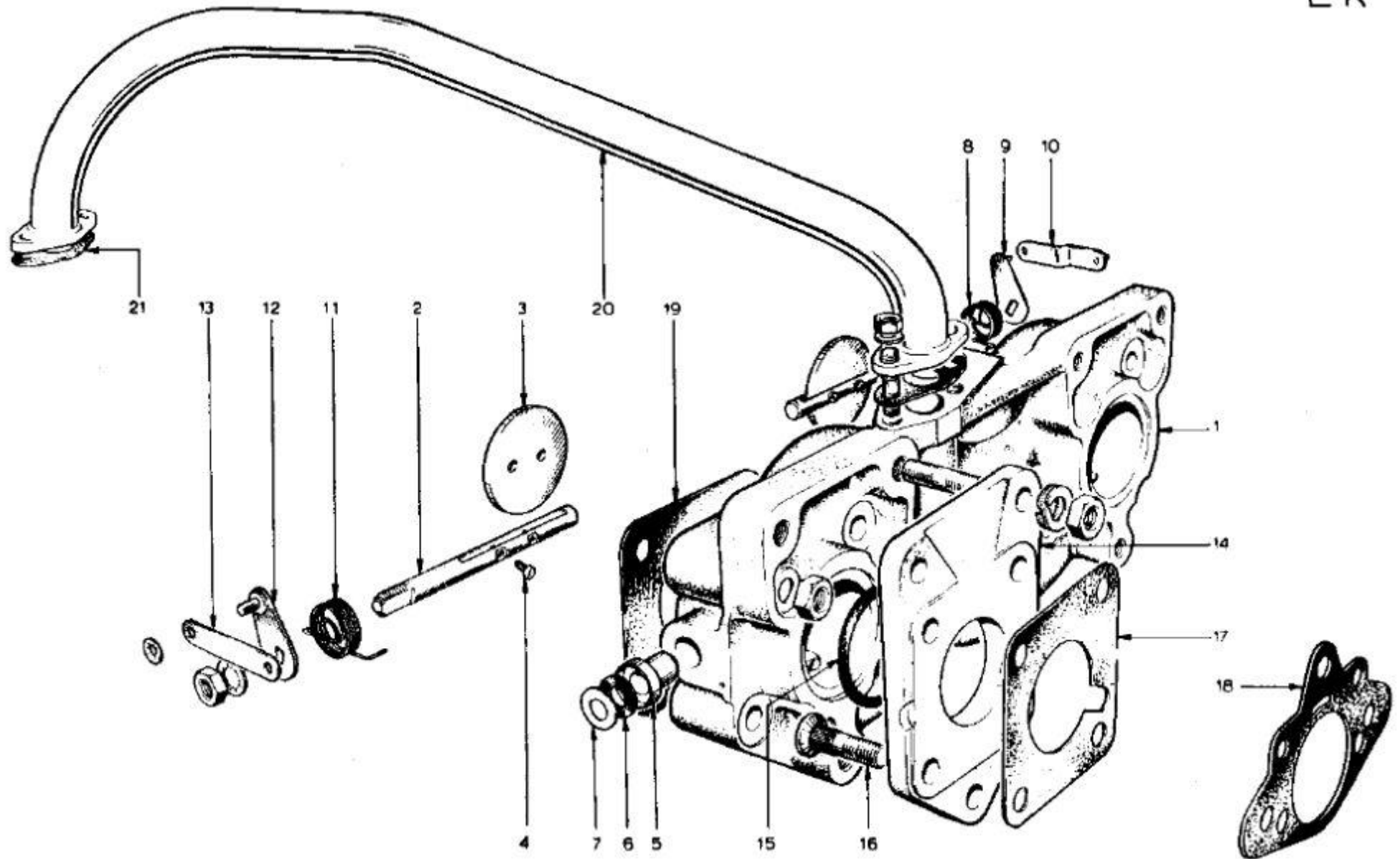


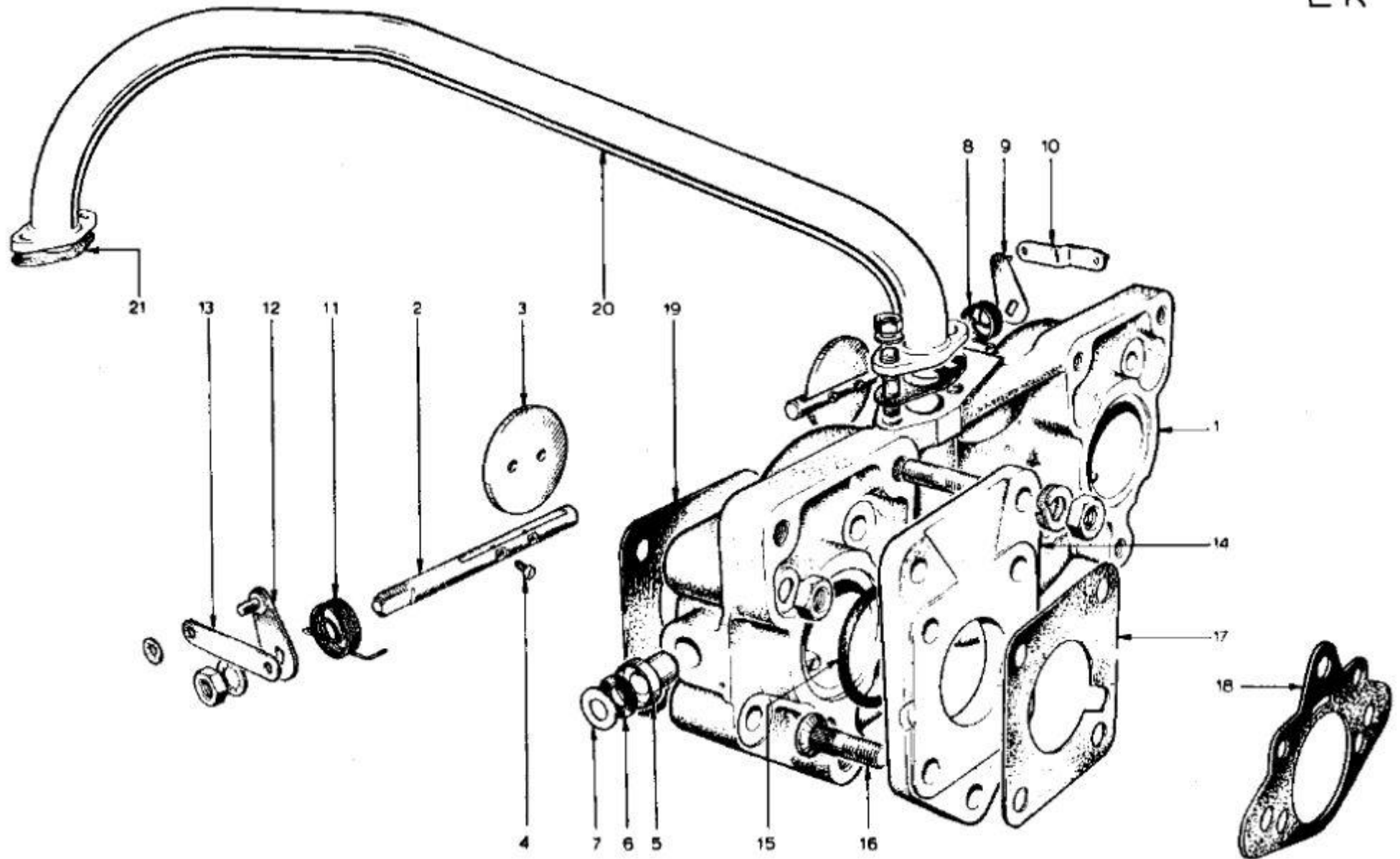
EK



Lotus Europa TC/TCS Parts Manual - Section EK - Engine - Secondary Throttle Page 2

Item	Lotus #	S1	S1A/B	S2	S2 Fed	TC	TC Fed	TCS	TCS F	LHD	RHD	Description	Change Point Notes Bulletin Reference
	X026S0109W						1	1				Assembly - Secondary Throttle comprising:	
1	X026S0110Y						1	1				Body - Secondary Throttle	p/o X026S0109W
2	X026S0117Z						2	2				Spindle	p/o X026S0109W
3	X026S0118Z						2	2				Plate - Throttle	p/o X026S0109W
4	X036S6008Z						4	4				Screw - Plate Securing	p/o X026S0109W
5	X026S0121Z						2	2				Bush - Spindle	p/o X026S0109W
6	X026S0123Z						2	2				Seal	p/o X026S0109W
7	X026S0122Z						2	2				Retainer Seal	p/o X026S0109W
8	X026S0119Z						1	1				Spring - Return (front)	p/o X026S0109W
9	X026S0124Z						1	1				Lever - Throttle (front)	p/o X026S0109W
9	Z036S6009Z						1	1				Nut - Securing - Lever - Throttle (front)	p/o X026S0109W
9	Z036S6010Z						1	1				Washer - Shakeproof - Lever - Throttle (front)	p/o X026S0109W
10	X036S6038Z						1	1				Link Coupling (front)	p/o X026S0109W
10	X036S6042Z						1	1				Washer - Starlock - Link Coupling (front)	p/o X026S0109W
11	X026S0120Z						1	1				Spring - Return (rear)	p/o X026S0109W
12	X026S0125Z						1	1				Lever - Throttle (rear)	p/o X026S0109W
12	X036X6009Z						1	1				Nut Securing - Lever - Throttle (rear)	p/o X026S0109W
12	X036S6010X						1	1				Washer - Shakeproof - Lever - Throttle (rear)	p/o X026S0109W
13	X026S0126Z						1	1				Link - Coupling (rear)	p/o X026S0109W
13	X036S6042Z						1	1				Washer - Starlock - Link - Coupling (rear)	p/o X026S0109W
13	A036S0143Z						4	4				Stud - Crossover Pipe	p/o X026S0109W
14	A026S0009A						2	2				Flange - Adaptor	
15	B026S0086A						2	2				O Ring	
15	A036S0172Z						6	6				Stud - Flange to Throttle Body - O Ring	
15	116B						6	6				Washer - Thackery - O Ring	Replaced by A036E0806W
15	A036E0806W						6	6				Assembly - Rubber Ring - O Ring	
15	118						12	12				Washer - Plain - O Ring	
15	211						6	6				Nut - O Ring	
16	46						8	8				Stud - Flange to Carburetter	
16	211						8	8				Nut - Flange to Carburetter	
17	X026S0107Z						2	2				Flange to Carburetter Gasket	
18	X026S0106Z						2	2				Carburetter to Airbox Gasket	
19	X026S0108Z						2	2				Throttle Body to Cylinder Head Gasket	

EK



Lotus Europa TC/TCS Parts Manual - Section EK - Engine - Secondary Throttle Page 4

Item	Lotus #	S1	S1A/B	S2	S2 Fed	TC	TC Fed	TCS	TCS F	LHD	RHD	Description	Change Point Notes Bulletin Reference
20	X026S0111Z						2		2			Pipe - Cross-over	
20	X026S0114Z						4		4			Cross-over Pipe Gasket	
20	A036S0173Z						4		4			Stud - Pipe to Exhaust Manifold - Gasket - Cross-over Pipe	
20	205D						8		8			Nut - Cross-over pipe Securing - Gasket - Cross-over Pipe	
20	110						8		8			Washer - Plain - Gasket - Cross-over Pipe	