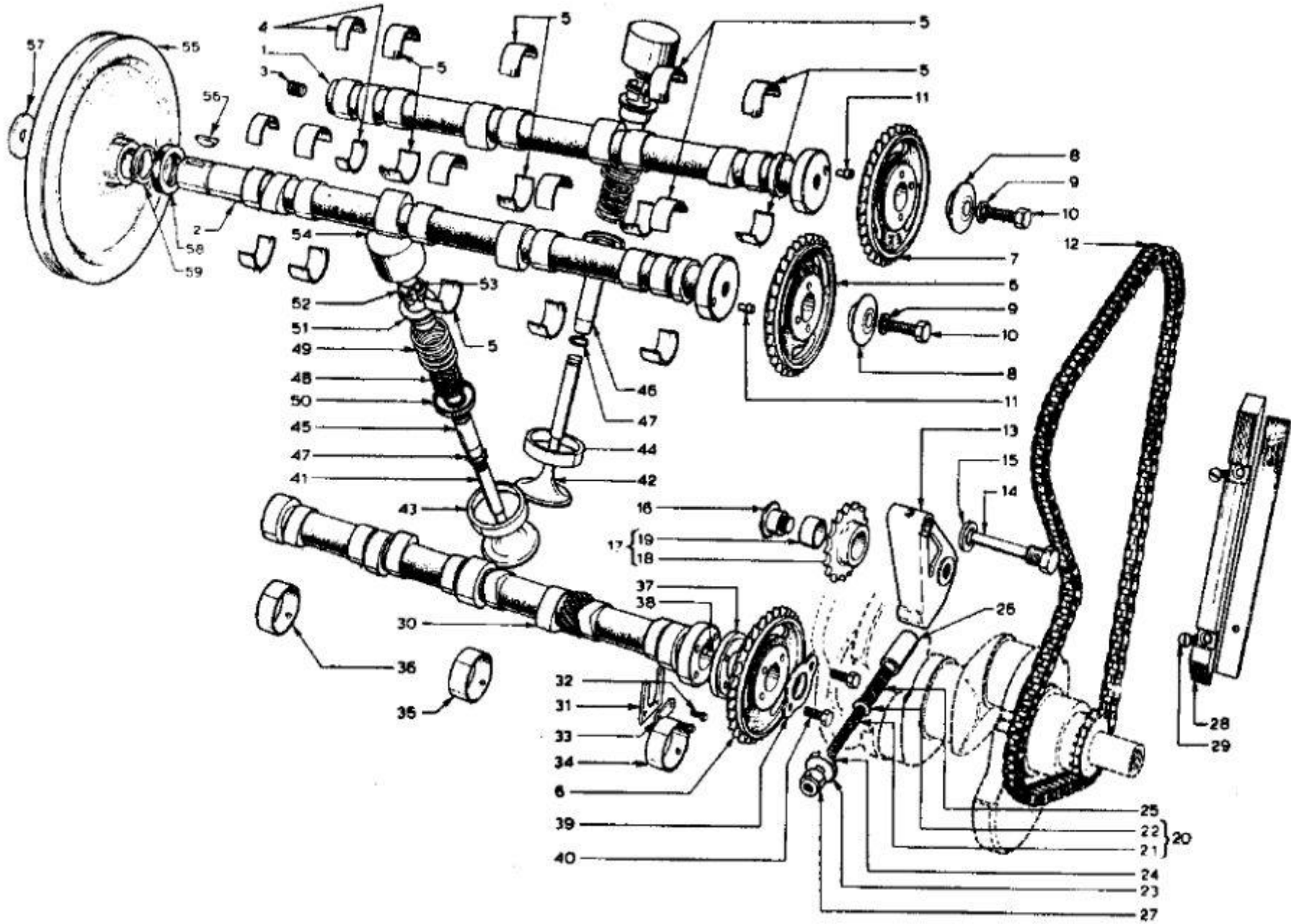


Lotus Europa TC/TCS Parts Manual - Section EF - Engine - Camshafts and Valves - Page 2

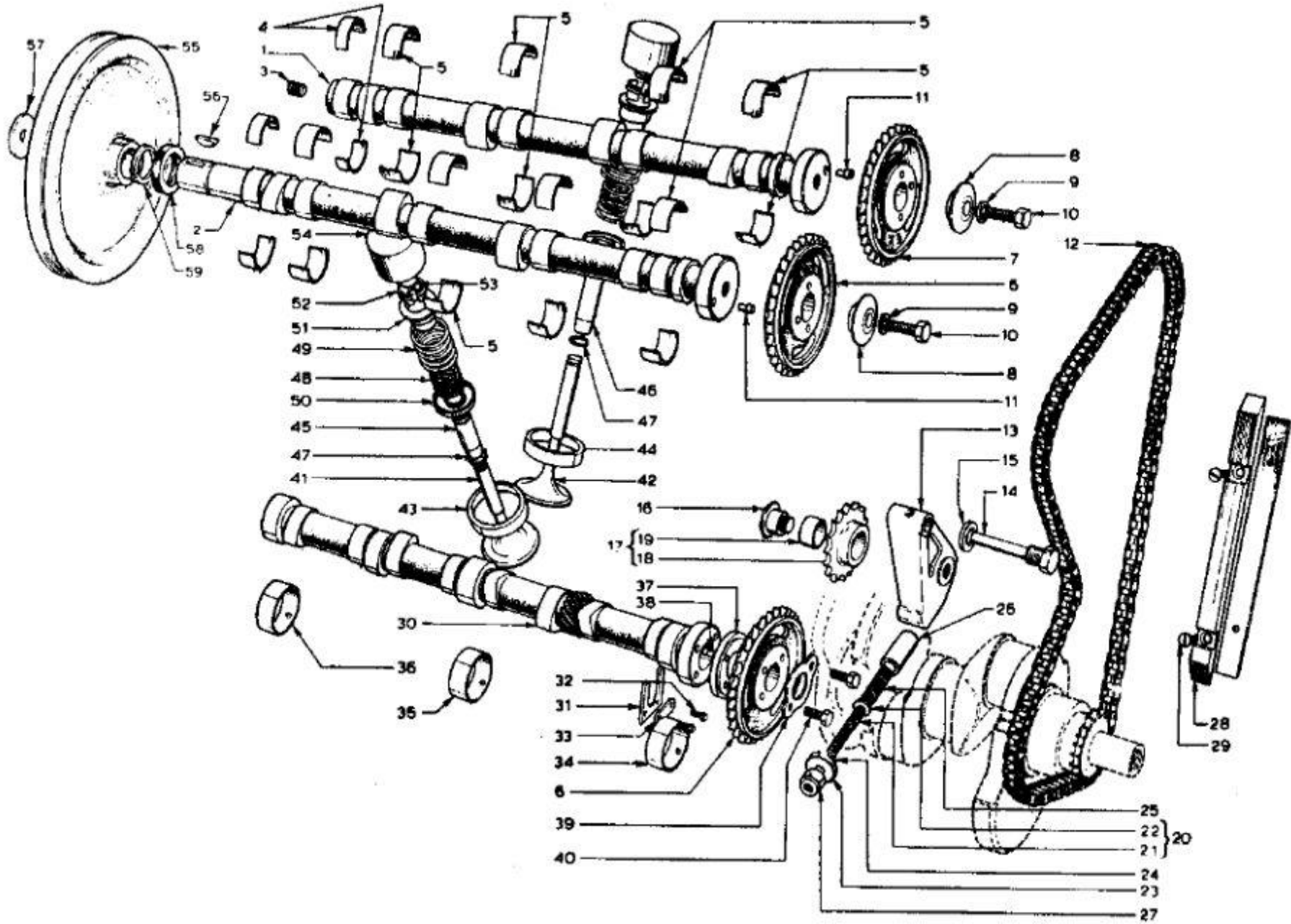
Item	Lotus #	S1	S1A/B	S2	S2 Fed	TC	TC Fed	TCS	TCS F	LHD	RHD	Description	Change Point Notes Bulletin Reference
1	C026E0351Y					1	1	1	1	+	+	Camshaft (Exhaust)	
1	D026E0351Y							1		+	+	Camshaft (Exhaust)	
2	C074E0351Y					1	1		1	+	+	Camshaft (Inlet)	
2	D074E0351Y							1		+	+	Camshaft (Inlet)	
3	A026E6016Z					1	1	1	1			Plug	
4	X026E0303Z					4	4	4	4			Bearing (Rear)	
5	X026E0003Z					16	16	16	16			Bearing	
6	A026E6024Z					2	2	2	2			Sprocket (Inlet/Jackshaft)	
7	X026E0305S					1	1	1	1			Sprocket (Exhaust)	
8	X026E0016Z					2	2	2	2			Washer - Sprocket to Camshaft	
9	X026E6094Z					2	2	2	2			Washer - Sprocket to Camshaft	
10	X026E0304Z					2	2	2	2			Bolt - Sprocket to Camshaft	
11	A026E6023Z					2	2	2	2			Dowel	
12	X026E0007Z					1	1	1	1			Chain - Timing	
13	X026E0012Z					1	1	1	1			Bracket - Chain Tensioner	
14	X026E0011Z					1	1	1	1			Pin - Pivot	
15	X026E0048Z					1	1	1	1			Washer	
16	X026E0013Z					1	1	1	1			Pin	
17	X026E707W					1	1	1	1			Assembly - Sprocket	Comprising: X026E0381Z & X026E0382Z
18	X026E0381Z					1	1	1	1			Pin - Assembly - Sprocket	
19	X026E0382Z					1	1	1	1			Bush - Assembly - Sprocket	
20	X026E0706W					1	1	1	1			Sub Assembly - Adjuster Screw	Comprising of X026E0008Z & A026E6098Z
21	X026E0008Z					1	1	1	1			Bolt - Adjustment - Adjuster Screw	
22	A026E6098Z					1	1	1	1			Washer - Adjuster Screw	
23	X026E0391Z					1	1	1	1			Nut Adjusting	
24	X026E0292Z					1	1	1	1			Washer	
25	X026E0009Z					1	1	1	1			Spring	
26	X026E0010Z					1	1	1	1			Plunger	
27	A036E6192Z					1	1	1	1			Nut	
28	X026E0014Z					1	1	1	1			Guide - Chain	
29	A026E6059Z					2	2	2	2			Screw - Securing	
30	X026E0352Z					1	1	1	1			Jackshaft	



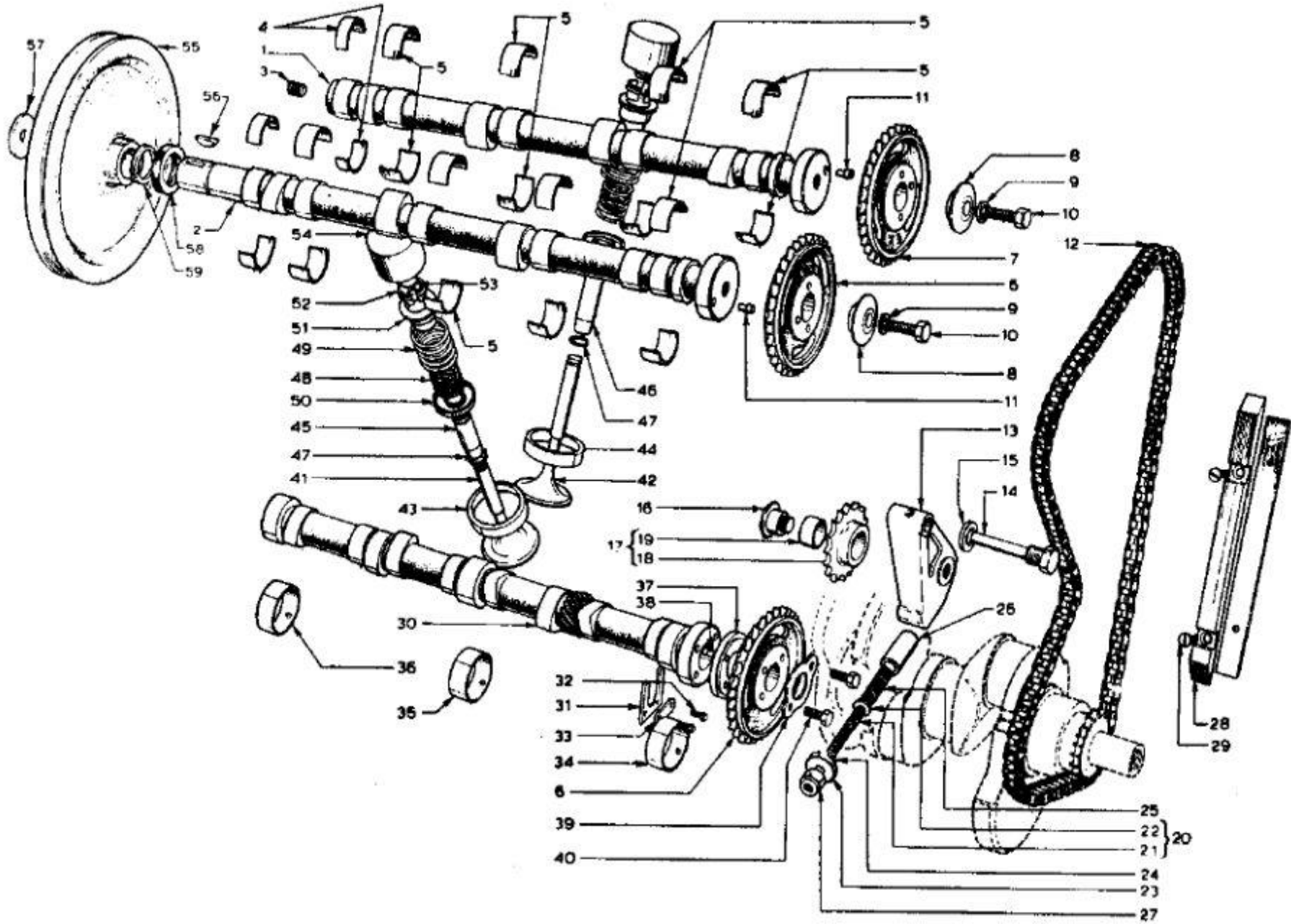
Lotus Europa TC/TCS Parts Manual - Section EF - Engine - Camshafts and Valves - Page 4

Item	Lotus #	S1	S1A/B	S2	S2 Fed	TC	TC Fed	TCS	TCS F	LHD	RHD	Description	Change Point Notes Bulletin Reference
31	A026E6063Z					1	1	1	1			Plate - Thrust	
32	A026E6026Z					2	2	2	2			Bolt	
33	A026E6037Z					1	1	1	1			Retainer - Bolt	
34	A026E6193Z					1	1	1	1			Bearing (Front)	
35	A036E6194Z					1	1	1	1			Bearing (Centre)	
36	A036E6195Z					1	1	1	1			Bearing (Rear)	
37	X026E0017Z					1	1	1	1			Adaptor	
38	X026E0018Z					1	1	1	1			Dowel	
39	X026E6025Z					1	1	1	1			Retainer	
40	A026E6041Z					2	2	2	2			Bolt	
41	A026E0019Y					4				+	+	Valve - Inlet	
41	B026E0019Y						4	4	4	+	+	Valve - Inlet	
42	B026E0200Y					4	4	4	4			Valve - Exhaust	
43	X026E0312Z					4				+	+	Insert - Inlet Valve Seat (Std)	
43	A026E0124Z						4	4	4	+	+	Insert - Inlet Valve Seat (Std)	
43	A026E0312A					4				+	+	Insert - Inlet Valve Seat (0.005 ins. O/S)	
43	A026E0125Z						4	4	4	+	+	Insert - Inlet Valve Seat (0.005 ins. O/S)	
43	A026E0312B					4				+	+	Insert - Inlet Valve Seat (0.010 ins. O/S)	
43	A026E0126Z						4	4	4	+	+	Insert - Inlet Valve Seat (0.010 ins. O/S)	
43	A026E0312C					4				+	+	Insert - Inlet Valve Seat (0.015 ins. O/S)	
43	A026E0127Z						4	4	4	+	+	Insert - Inlet Valve Seat (0.015 ins. O/S)	
44	A026E0313Z					4	4	4	4			Insert - Exhaust Valve Seat (Std)	
44	AA026E0313					4	4	4	4			Insert - Exhaust Valve Seat (0.005 ins. O/S)	
44	A026E0313B					4	4	4	4			Insert - Exhaust Valve Seat (0.010 ins. O/S)	
44	A026E0313C					4	4	4	4			Insert - Exhaust Valve Seat (0.015 ins. O/S)	
45	A026E0314Z					4	4	4	4			Guide - Inlet Valve (Std)	
45	A026E0314Z					4	4	4	4			Guide - Inlet Valve (0.001 ins. O/S)	
45	A026E0314B					4	4	4	4			Guide - Inlet Valve (0.005 ins. O/S)	
45	A026E0314C					4	4	4	4			Guide - Inlet Valve (0.006 ins. O/S)	
45	A026E0314D											Guide - Inlet Valve (0.015 ins. O/S)	
45	A026E0314E											Guide - Inlet Valve (0.030 ins. O/S)	
46	A026E0315Z											Guide - Exhaust Valve (Std)	
46	A026E0315A											Guide - Exhaust Valve (0.001 ins. O/S)	

EF



Item	Lotus #	S1	S1A/B	S2	S2 Fed	TC	TC Fed	TCS	TCS F	LHD	RHD	Description	Change Point Notes Bulletin Reference
46	A026E0315B											Guide - Exhaust Valve (0.005 ins. O/S)	
46	A026E0315C											Guide - Exhaust Valve (0.006 ins. O/S)	
46	A026E0315D											Guide - Exhaust Valve (0.015 ins. O/S)	
46	A026E0315E											Guide - Exhaust Valve (0.030 ins. O/S)	
47	A026E6018Z											Circlip - Guide Valve	
48	B026E0023Z											Spring - Valve Inner	
49	B026E0022Z											Spring - Valve Outer	
50	A026E0316Z											Seat - Valve Spring	
51	A026E0021Z											Retainer - Valve Spring	
52	A026E0045Z											Cone - Split	
53	A026E6165Z											Shim - 0.065 ins. (As Required)	
53	A026E6166Z											Shim - 0.066 ins. (As Required)	
53	A026E6167Z											Shim - 0.067 ins. (As Required)	
53	A026E6168Z											Shim - 0.068 ins. (As Required)	
53	A026E6169Z											Shim - 0.069 ins. (As Required)	
53	A026E6170Z											Shim - 0.070 ins. (As Required)	
53	A026E6171Z											Shim - 0.071 ins. (As Required)	
53	A026E6172Z											Shim - 0.072 ins. (As Required)	
53	A026E6173Z											Shim - 0.073 ins. (As Required)	
53	A026E6174Z											Shim - 0.074 ins. (As Required)	
53	A026E6175Z											Shim - 0.075 ins. (As Required)	
53	A026E6176Z											Shim - 0.076 ins. (As Required)	
53	A026E6177Z											Shim - 0.077 ins. (As Required)	
53	A026E6178Z											Shim - 0.078 ins. (As Required)	
53	A026E6179Z											Shim - 0.079 ins. (As Required)	
53	A026E6180Z											Shim - 0.080 ins. (As Required)	
53	A026E6181Z											Shim - 0.081 ins. (As Required)	
53	A026E6182Z											Shim - 0.082 ins. (As Required)	
53	A026E6183Z											Shim - 0.083 ins. (As Required)	
53	A026E6184Z											Shim - 0.084 Ins. (As Required)	
53	A026E6185Z											Shim - 0.085 ins. (As Required)	
53	A026E6186Z											Shim - 0.086 ins. (As Required)	
53	A026E6187Z											Shim - 0.087 ins. (As Required)	



Item	Lotus #	S1	S1A/B	S2	S2 Fed	TC	TC Fed	TCS	TCS F	LHD	RHD	Description	Change Point Notes Bulletin Reference
53	A026E6188Z											Shim - 0.088 ins. (As Required)	
53	A026E6189Z											Shim - 0.089 ins. (As Required)	
53	A026E6190Z											Shim - 0.090 ins. (As Required)	
54	X026E0042Z					8	8	8	8			Tappet	
55	A074E0131Z					1	1	1	1			Pulley - Alternator	
56	A074E6003Z					1	1	1	1			Key - Pulley	
57	A05W1608					1	1	1	1			Washer	
57	13					1	1	1	1			Screw - Securing	
58	A074E6001Z					1	1	1	1			Seal - Oil	
59	A074E6002Z					1	1	1	1			Circlip	