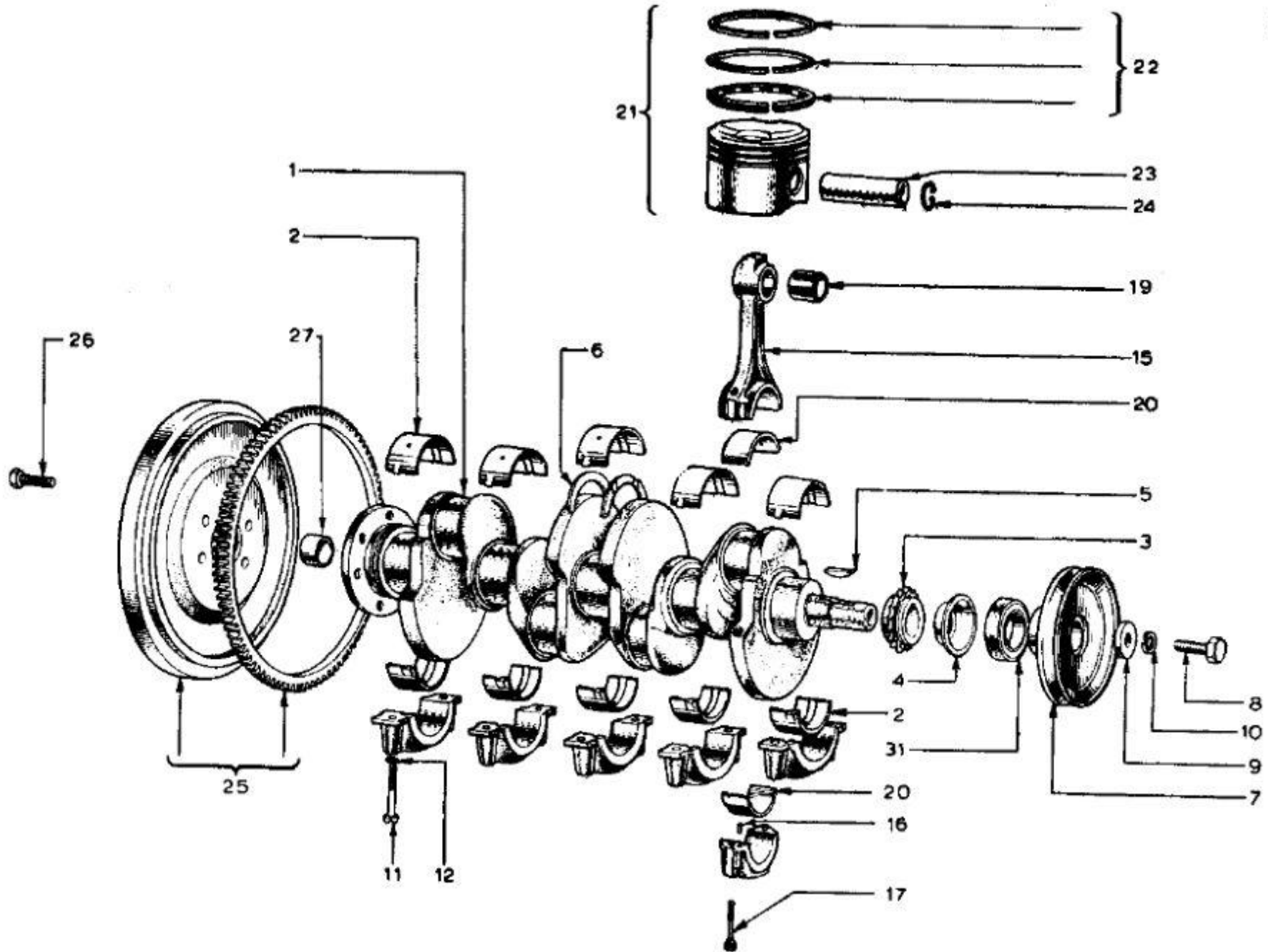


Lotus Europa TC/TCS Parts Manual - Section EB - Engine - Pistons, Rods and Crank - Page 2

Item	Lotus #	S1	S1A/B	S2	S2 Fed	TC	TC Fed	TCS	TCS F	LHD	RHD	Description	Change Point Notes Bulletin Reference
1	B026E0330Z					1	1	1	1			Crankshaft	
2	X026E0336Z					10	10	10	10			Liner - Main Bearing (Std)	
2	A026E0336Z					10	10	10	10			Liner - Main Bearing (0.010 ins. U/S)	
2	B026E0336Z					10	10	10	10			Liner - Main Bearing 0.020 ins. U/S)	
3	X026E0015Z					1	1	1	1			Sprocket - Crankshaft	
4	X026E0326A					1	1	1	1			Slinger - Oil	
5	A026E6033Z					1	1	1	1			Key - sprocket	
6	A026E6035Z											Washer. Main Bearing Thrust (Std) (As Required)	
6	A036E6218Z											Washer. Main Bearing Thrust (0.025 ins. O/S) (As Required)	
7	X026E0331Y					1	1	1	1			Pulley - Crankshaft	
8	A026E6044Z					1	1	1	1			Bolt - Pulley Attaching	
9	A036E6071Z					1	1	1	1			Washer	
10	A026E6055Z					1	1	1	1			Lockwasher	
11	A036E6172Z					10	10	10	10			Bolt - Main Bearing Cap	
12	A036E6173Z					10	10	10	10			Lockwasher	
12	A026E6714S					4	4	4	4			Assembly - Connecting Rod	
15	C026E0340Z					4	4	4	4			Rod - Connecting - p/o Assembly - Connecting Rod	
16	A036E6174Z					8	8	8	8			Pin - Dowel - p/o Assembly - Connecting Rod	
17	A036E6175Z					8	8	8	8			Bolt - Connecting Rod - p/o Assembly - Connecting Rod	
19	A036E6176Z					4	4	4	4			Bush - p/o Assembly - Connecting Rod	
20	A026E2029Z					8	8	8	8			Liner - Connecting Rod Bearing	
20	A026E0715S					1	1	1	1			Kit - Rod Bearing Liner (Std)	
20	A026E0735S					1	1	1	1			Kit - Rod Bearing Liner (0.010 ins O/S)	
20	A026E0736S					1	1	1	1			Kit - Rod Bearing Liner (0.020 ins O/S)	
21	C026E0712A					4	4	4	4			Assembly - Piston - Grade I (Std)	82.474 mm.-3.2470 ins. 82.466 mm.-3.2467 ins.
21	C026E0712B					4	4	4	4			Assembly - Piston - Grade II (Std)	82.481 mm.-3.2473 ins. 82.474 mm.-3.2470 ins.
21	C026E0712C					4	4	4	4			Assembly - Piston - Grade III (Std)	82.489 mm.-3.2476 ins. 82.481 mm.-3.2473 ins.
21	C026E0712D					4	4	4	4			Assembly - Piston - Grade IV (Std)	82.497 mm.-3.2479 ins. 82.489 mm.-3.2476 ins.

EB



Lotus Europa TC/TCS Parts Manual - Section EB - Engine - Pistons, Rods and Crank - Page 4

Item	Lotus #	S1	S1A/B	S2	S2 Fed	TC	TC Fed	TCS	TCS F	LHD	RHD	Description	Change Point Notes Bulletin Reference
21	C026E0732A					4	4	4	4			Assembly - Piston - Grade I (0.015 ins. O/S)	82.855 mm.-3.2620 ins. 82.847 mm.-3.2617
21	C026E0732B					4	4	4	4			Assembly - Piston - Grade II (0.015 ins. O/S)	82.862 mm.-3.2623 ins. 82.855 mm.-3.2620
21	C026E0732C					4	4	4	4			Assembly - Piston - Grade III (0.015 ins. O/S)	82.870 mm.-3.2626 ins. 82.862 mm.-3.2623
21	C026E0732D					4	4	4	4			Assembly - Piston - Grade IV (0.015 ins. O/S)	82.878 mm.-3.2629 ins. 82.870 mm.-3.2626
22	X026E0733W					4	4	4	4			Set - Piston Rings (Std)	
22	A026E0733W					4	4	4	4			Set - Piston Rings (0.015 ins. O/S)	
22	X026E6003Z											Set - Oil Control Ring (Std) (As Required)	
22	X026E6004Z											Set - Oil Control Ring (0.015 ins. O/S) (As Required)	
23	X026E0405Y					4	4	4	4			Pin - Piston	
24	A036E6177Z					8	8	8	8			Retainer - Pin	
25	A026E0717W					1	1	1	1			Assembly - Flywheel	
26	A026E6062Z					6	6	6	6			Bolt - Flywheel Securing	
26	A026E6104Z					1	1	1	1			Pin - Dowel	
27	A074E0137Z					1	1	1	1			Bearing - Clutch Spigot	