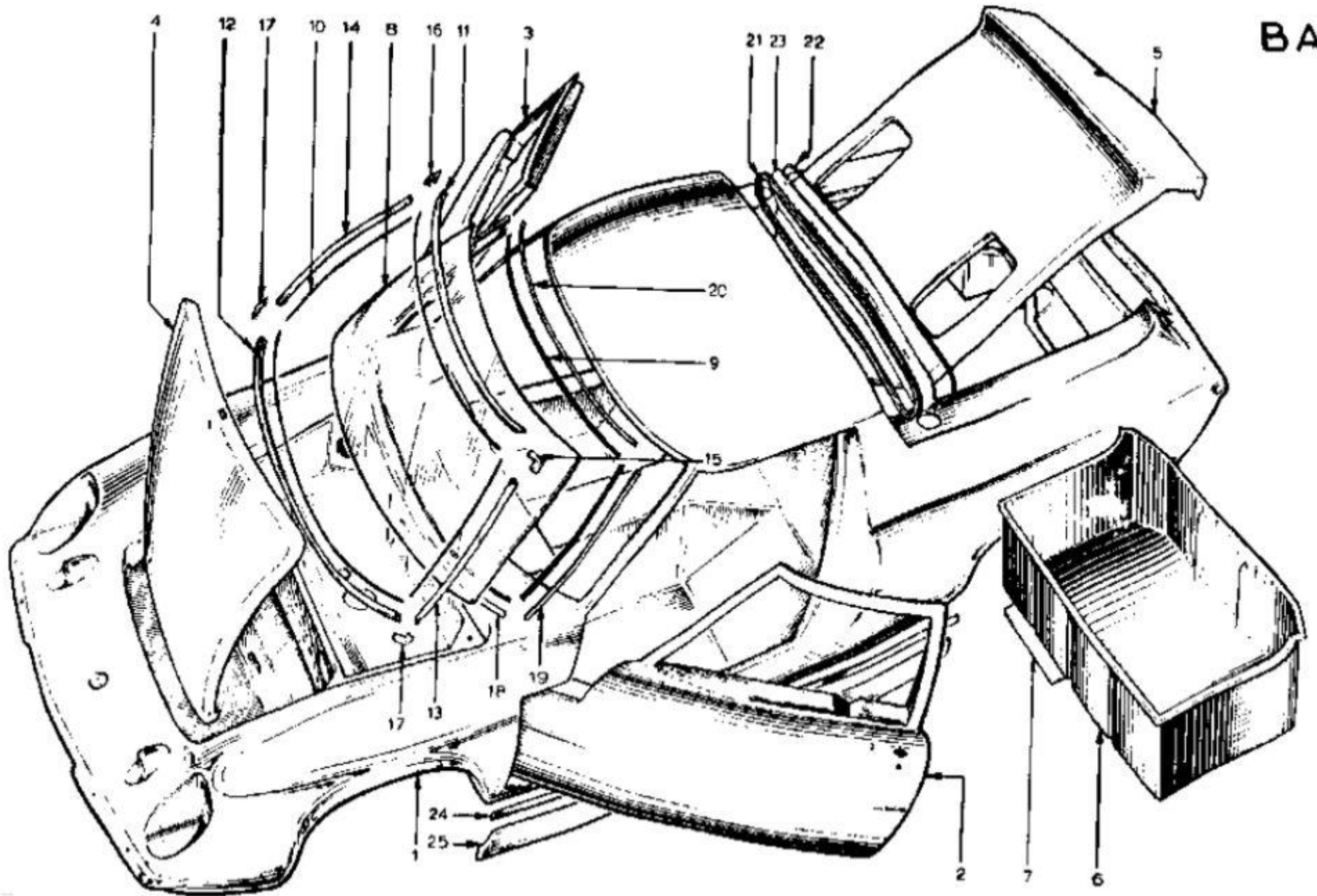


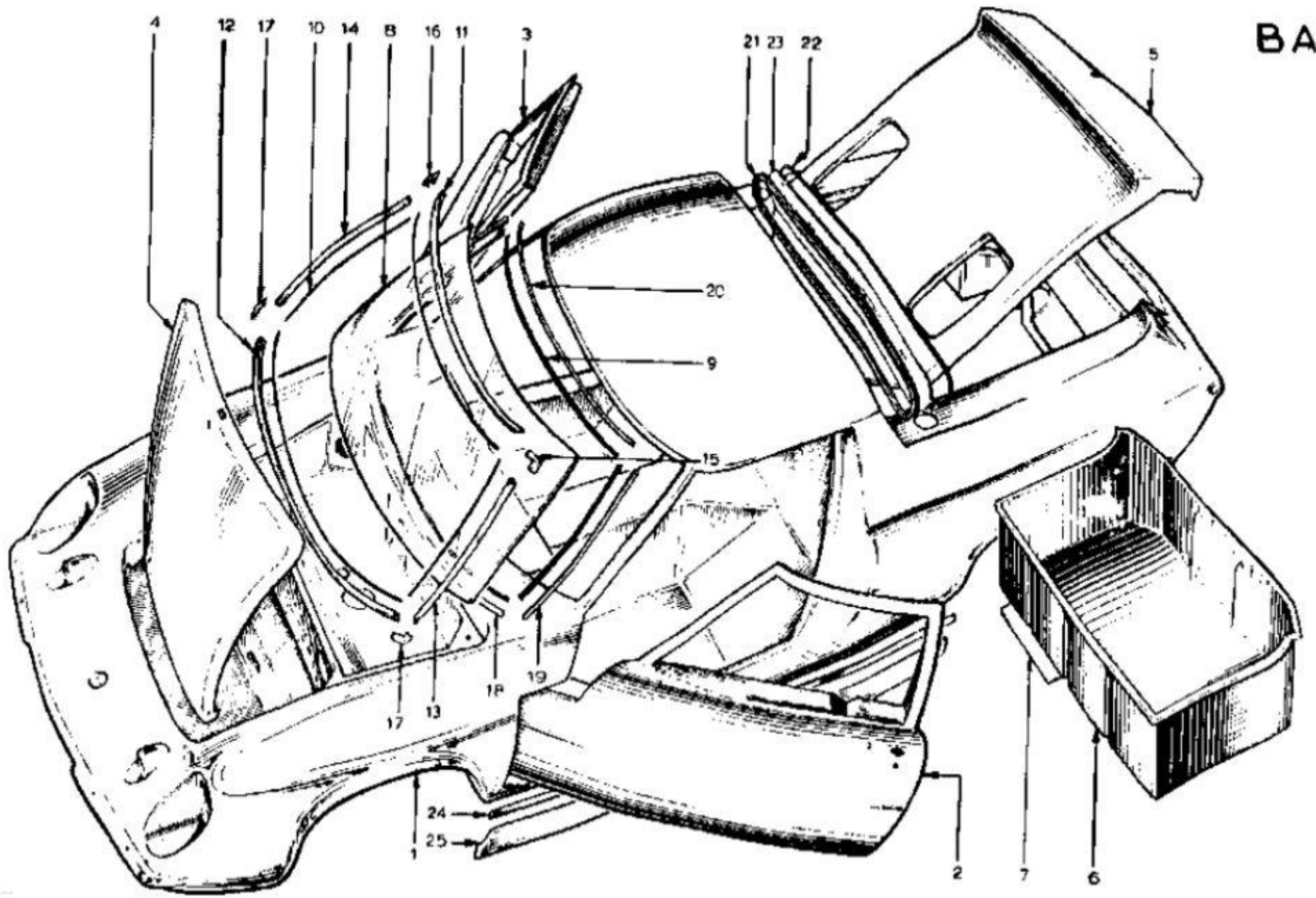
BA



Lotus Europa TC/TCS Parts Manual - Section BA - Body - Major Panels - Page 2

Item	Lotus #	S1	S1A/B	S2	S2 Fed	TC	TC Fed	TCS	TCS F	LHD	RHD	Description	Change Point Notes Bulletin Reference
1	A074B1800S					1		1		+		Shell - Body	
1	A074B1801S					1		1			+	Shell - Body	
1	B074B1801S						1					Shell - Body	
1	C074B1801S								1			Shell - Body	
2	A065B0089S					1	1	1	1			Shell - Door - L/H	
3	A065B0088S					1	1	1	1			Shell - Door - R/H	
4	A464B0030S					1	1	1	1			Lid - Bonnet	
4	X054B1820Z					1	1	1	1			Strip - Bonnet Reinforcing	SB - Service III 1969/40
4	434					6	6	6	6			Rivet - Strip Securing	SB - Service III 1969/40
4	A036B6213V					1	1	1	1			Sealing - Front Stowage Compartment	
5	A074B0040Z					1	1	1	1			Engine Compartment Lid	
6	X054B0059S					1	1	1	1			Luggage Box	
6	6BN					2	2	2	2			Bolt - Box Securing	
6	113					2	2	2	2			Washer - Box Securing	
7	X046B2005Z					1	1	1	1			Shield - Heat - Metal	
7	X046B2007Z					1	1	1	1			Shield - Heat - Asbestos	
8	X046B0029Z					1	1	1	1			Windscreen	
8	X054B0029Z					1	1	1	1			Windscreen - tinted (Optional)	
9	X050B6182Z					1	1	1	1			Strip - Sealing	
10	A050B6181Z					1	1	1	1			Strip - Sealing	
10	A054B6132Z					1	1	1	1			Blocks - Mounting	
11	A054B6118Z					1	1	1	1			Finish - External Top	
12	A054B6119Z					1	1	1	1			Finish - External Bottom	
13	A054B6120Z					1	1	1	1			Finish - External L/H	
14	A054B6126Z					1	1	1	1			Finish - External T/H	
15	A054B6133Z					1	1	1	1			Clip - Top L/H Corner	
16	A054B6134Z					1	1	1	1			Clip - Top R/H Corner	
17	A050B6190Z					2	2	2	2			Clip - Bottom Corner	
18	A054B6122Z					1	1	1	1			Trim - windscreen Internal Base	
19	A054B6123Z					2	2	2	2			Trim - Windscreen Internal Side	
20	A054B1621Z					1	1	1	1			Trim - windscreen Internal Top	Up to Chassis No. 1657P - 1088Q - 2468R
20	B050B6209Z					1	1	1	1			Trim - windscreen Internal Top and Sides	From Chassis No. 1658P - 1089Q - 2469R

BA



Lotus Europa TC/TCS Parts Manual - Section BA - Body - Major Panels - Page 4

Item	Lotus #	S1	S1A/B	S2	S2 Fed	TC	TC Fed	TCS	TCS F	LHD	RHD	Description	Change Point Notes Bulletin Reference
21	X054B1769Z					1	1	1	1			Weatherstrip - Rear Screen	
22	65U0009Z					1	1	1	1			Strip - Filler - Rear Screen	
23	X046B0349Z					1	1	1	1			Rear Screen	
23	B046B0349Z					1	1	1	1			Rear Screen Shaded (Optional)	
24	A074U6004Z					2	2	2	2			Strip - Trim	
24	A074U6006Z					18	18	18	18			Clip - Attaching	
25	A074U0111Z					1	1	1	1			Panel - Trim - L/H	
25	A074U0110Z					1	1	1	1			Panel - trim R/H	
25	A074U6007Z											Tape - Double Sided Adhesive (As Required)	
25	A074U6005Z					10	10	10	10			Clip - Trim Panel Attaching	