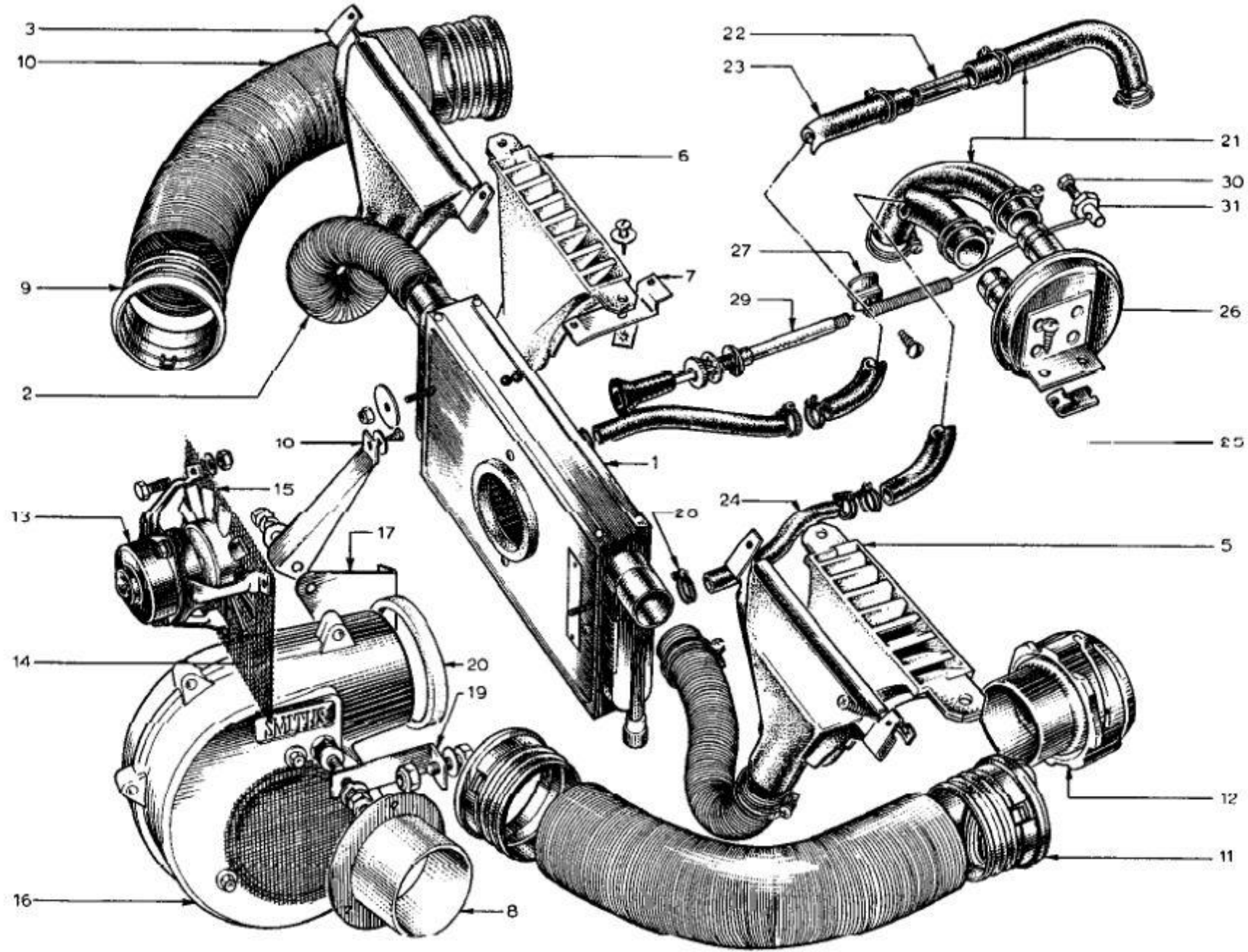


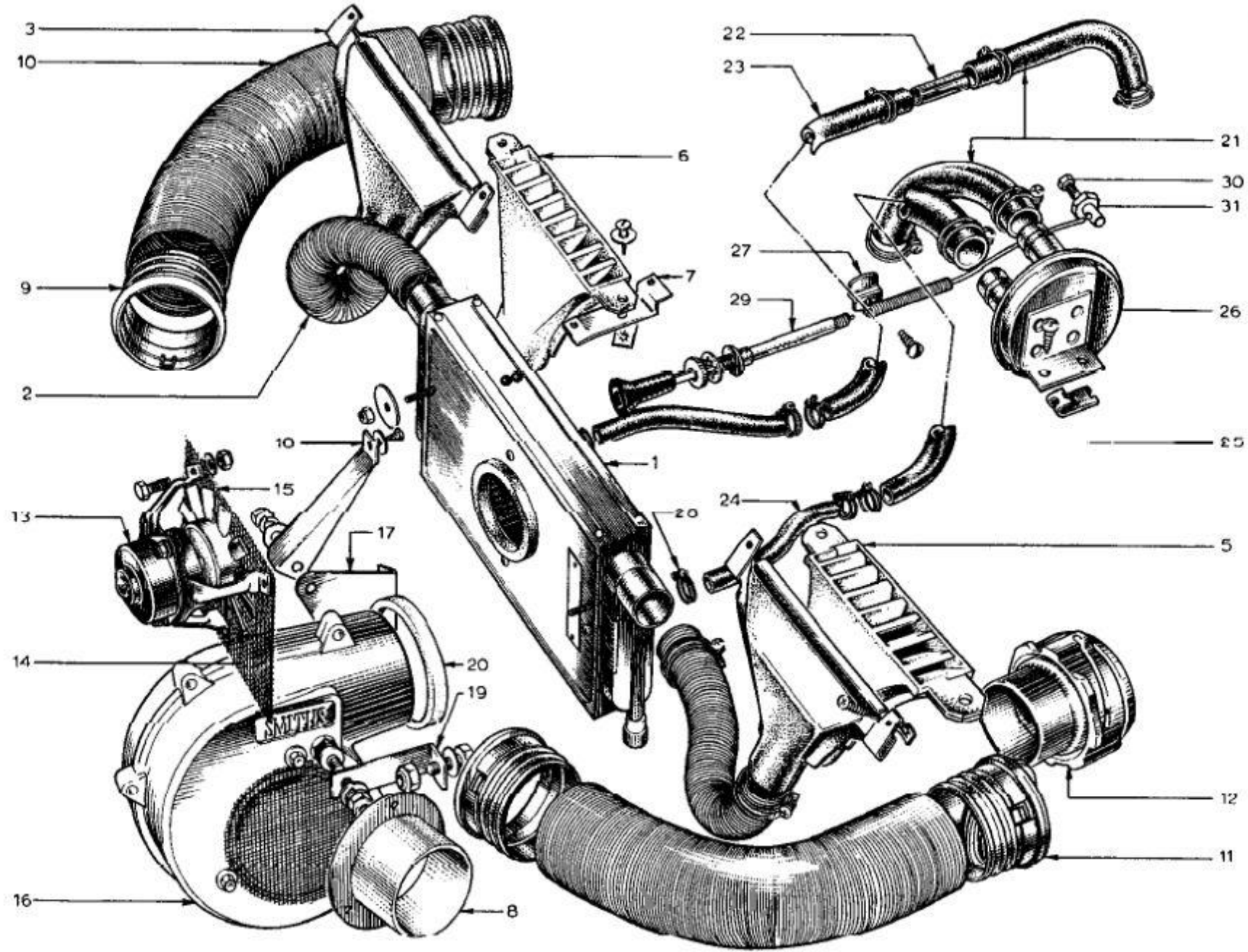
PA



Lotus Europa S1/S2 Parts Manual - Section PA - Heater - Demisters and Fans - Page 2

Item	Lotus #	S1	S1A/B	S2	S2 Fed	TC	TC Fed	TCS	TCS F	LHD	RHD	Description	Change Point Notes Bulletin Reference
1	046P6002	1	1									Heater Unit	
1	054P0706			1	1							Heater Unit	
1	A03W1606	2	2	2	2							Washer - Heater Unit to Body	
1	YUFN100F	2	2	2	2							Nut - Heater Unit to Body	
2	046P6009	2	2	2	2							Hose - Heater to Demist Nozzle	Up to Chassis No. 1456
2	036P0046			2	2							Hose - Heater to Demist Nozzle	From Chassis No. 1457
2	046P6010	4	4	4	4							Clip - Demist Nozzle Hose	
3	046P6001	2	2	2	2							Demist Nozzle	Up to Chassis No. 1456
5	050B6047			1	1							Demist Nozzle L/H	
5	054P0063			1	1							Demist Nozzle L/H	From Chassis No. 1457
6	050B6048			1	1							Demist Nozzle R/H	
6	054P0064			1	1							Demist Nozzle R/H	From Chassis No. 1457
7	054P0071			4	4							Mounting Bracket - Demist Nozzle	From Chassis No. 1457
7	PSTS0816			4	4							Screw - Demist Nozzle to Mounting Bracket	
7	A03W1206			4	4							Washer - Demist Nozzle to Mounting Bracket	From Chassis No. 1457
7	036B6002			4	4							Nut - Demist Nozzle to Mounting Bracket	
7	036B6033			8	8							Rivet - Mounting Bracket to Bulkhead	From Chassis No. 1457
8	054P0059			2	2							Tube - Face Level Vent Connection	
9	046P0032	2	2									Tube - Face Level Vent Connection	
10	046P6006	2	2									Hose - Face Level Vent	
10	054P0020			2	2							Hose - Face Level Vent	
11	046P0030	2	2									Face Level Vent	
12	046B6124			2	2							Face Level Vent	
13	046M6195	1	1	1								Heater Motor	
14	046P6000	1	1	1								Heater Fan Motor	
15	054B1510			1								Grille - Heater Fan Guard	
15	054B1510				2							Grille - Heater Fan Guard	Up to Chassis No. 1456
15	XUFB1012	3	3	3								Bolt - Heater Motor Mounting	
15	XUFB1012				3							Bolt - Heater Motor Mounting	Up to Chassis No. 1456
15	A03W0806	3	3	3								Washer - Heater Motor Mounting	
15	A03W0806				3							Washer - Heater Motor Mounting	Up to Chassis No. 1456
15	YUFN030F	3	3	3								Nut - Heater Motor Mounting	
15	YUFN030F				3							Nut - Heater Motor Mounting	Up to Chassis No. 1456

PA



Lotus Europa S1/S2 Parts Manual - Section PA - Heater - Demisters and Fans - Page 4

Item	Lotus #	S1	S1A/B	S2	S2 Fed	TC	TC Fed	TCS	TCS F	LHD	RHD	Description	Change Point Notes Bulletin Reference
15	W0050	3	3	3								Spacer - Heater Motor Mounting	
15	W0050				3							Spacer - Heater Motor Mounting	Up to Chassis No. 1456
15	046M6205											Replaced by A054M6082	
16	A054M6082				1							Heater Motor	
17	054B1667				1							Mounting Bracket - Heater Motor	From Chassis No. 1457
18	054B1786				1							Mounting Bracket - Heater Motor	From Chassis No. 1457
19	054B1666				1							Mounting Bracket - Heater Motor	From Chassis No. 1457
19	PSTS0406				1							Screw - Heater Motor Mounting	
19	A03W0806				1							Washer - Heater Motor Mounting	
19	XUFS0412				3							Screw - Heater Motor Mounting	From Chassis No. 1457
19	A04W1606				3							Washer - Heater Motor Mounting	
19	YUFN040F				3							Nut- Heater Motor Mounting	
20	026B0373				1							Seal	From Chassis No. 1457
21	046P0022	2	2	2	2							Hose	
22	W049	1	1	1	1							Connector tube	
23	046P0006	1	1	1	1							Hose - Connector Tube to Transfer Pipe	
23	046P0027	2	2									Hose - Transfer Pipe to Heater Unit	
24	054P0057			2	2							Hose - Transfer Pipe to Heater Unit	
25	046P0005	1	1	1	1							Hose - Heater Control Valve to Transfer Pipe	
26	046P6005	1	1	1	1							Heater Control Valve	
26	PSTS0812	2	2	2	2							Screw - heater Control Valve Mounting	
26	054B6015	2	2	2	2							Nut - heater Control Valve Mounting	
27	046P6007	1	1	1	1							Cable Clip - Heater Cable Fixing	
27	PSTS0812	1	1	1	1							Screw - Heater Cable Fixing	
28	046P6011	8	8	8	8							Clip - Hose	
28	046P0037	1	1									Cable - Heater Control	
29	A054B0037			1	1							Cable - Heater Control (replaced by B054B0037)	
29	B054B0037			1	1							Cable - Heater Control	
30	A054P0073	1	1	1	1							Screw - Heater Cable to Control Valve	
30	W0089	1	1	1	1							Nipple - Heater Cable to Control Valve	