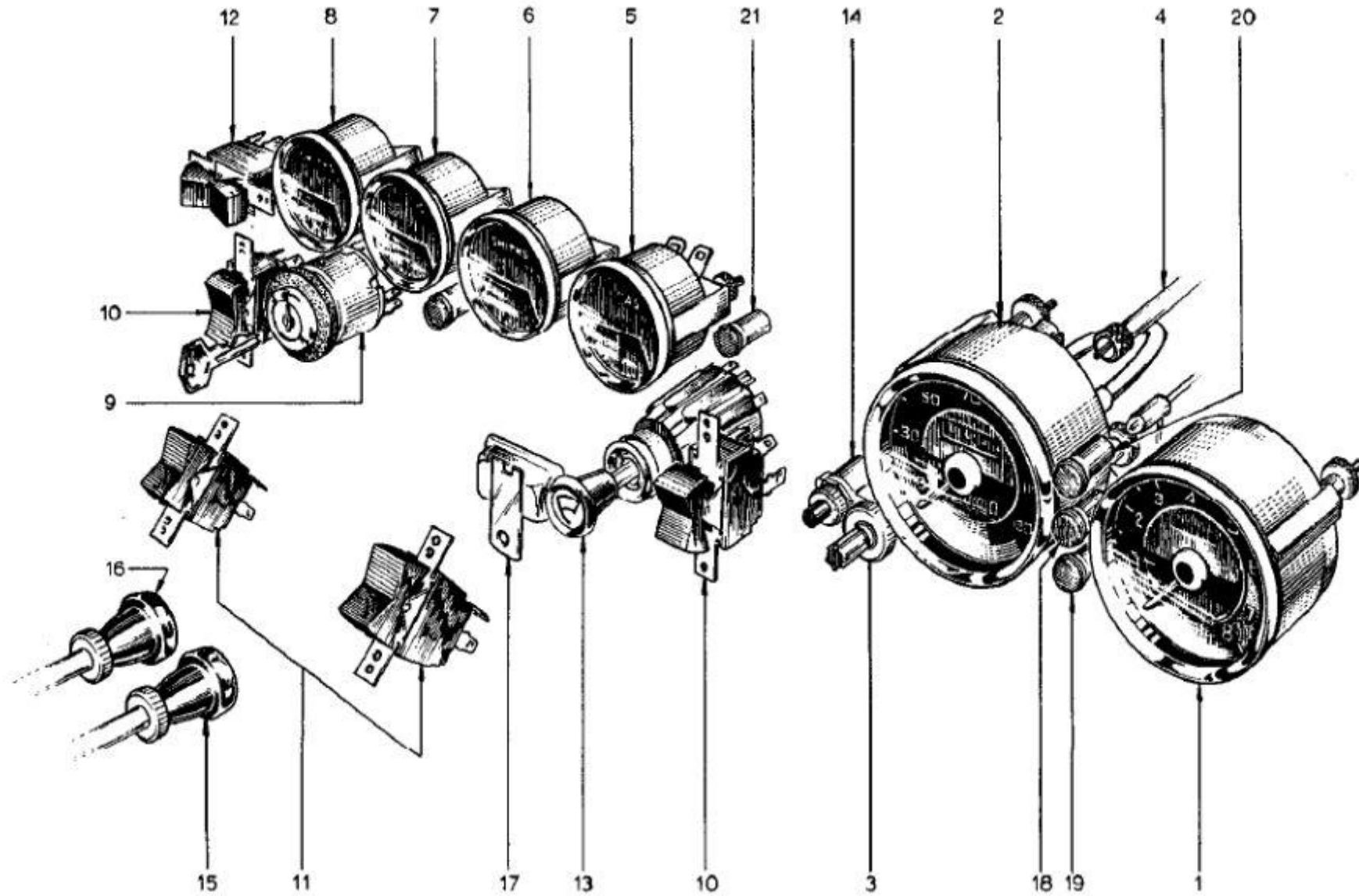


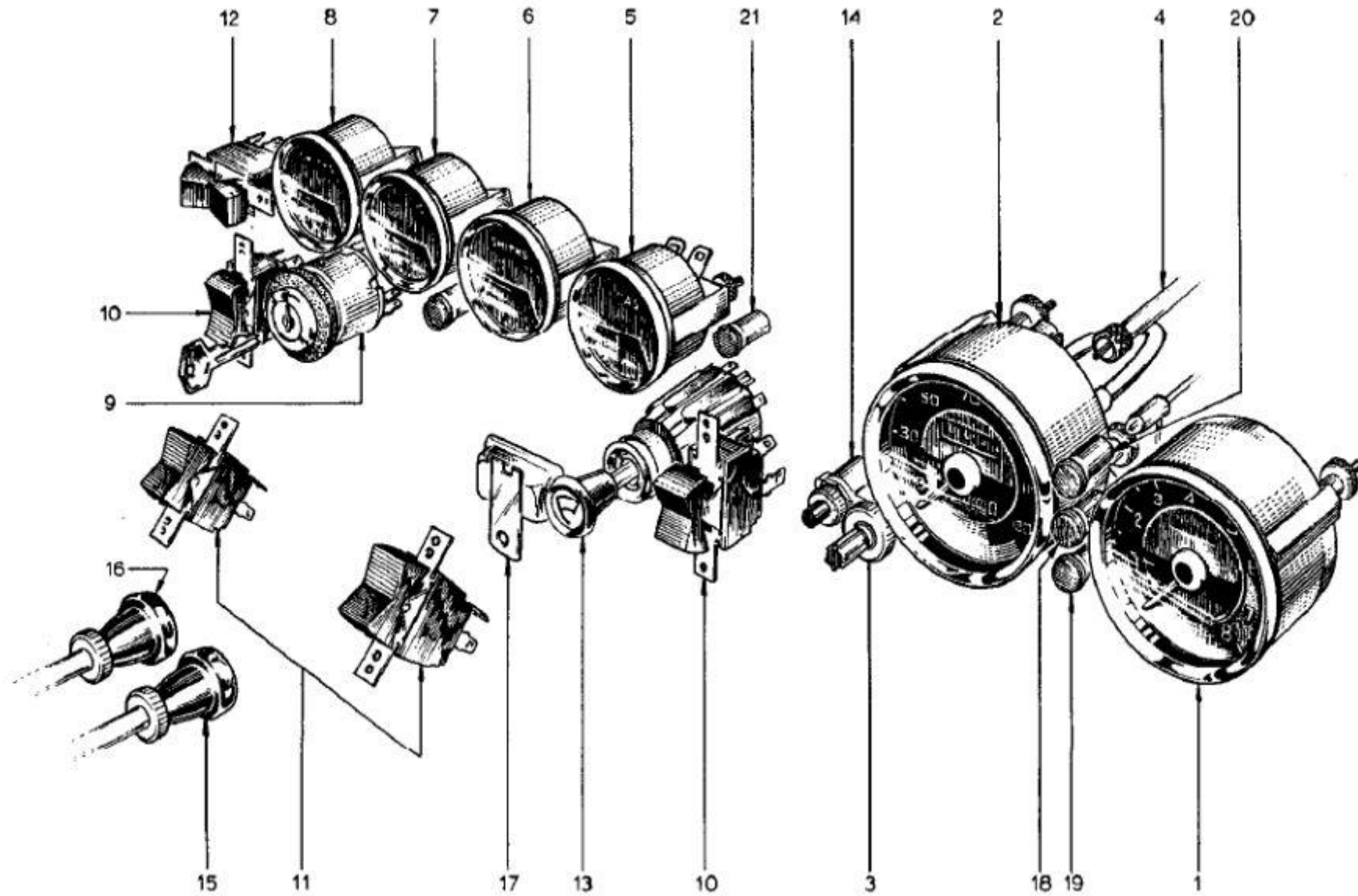
ML



Lotus Europa S1/S2 Parts Manual - Section ML - Electrical - Gauges S2 - Page 2

| Item | Lotus #   | S1 | S1A/B | S2 | S2 Fed | TC | TC Fed | TCS | TCS F | LHD | RHD | Description  | Change Point Notes<br>Bulletin Reference |
|------|-----------|----|-------|----|--------|----|--------|-----|-------|-----|-----|--|--|
| 1    | 054N6001  |    |       | 1  | 1      |    |        |     |       |     |     | Tachometer   |  |
| 2    | 054N6002  |    |       | 1  | 1      |    |        |     |       |     |     | Speedometer mph  |  |
| 2    | 054N6003  |    |       | 1  |        |    |        |     |       |     | +   | Speedometer kph  |  |
| 3    | 054N6009  |    |       | 1  | 1      |    |        |     |       |     |     | Speedometer Trip Cable   |  |
| 4    | 046N6007  | 1  | 1     | 1  | 1      |    |        |     |       |     |     | Speedometer Cable  |  |
| 5    | 054N6004  |    |       | 1  | 1      |    |        |     |       |     |     | Ammeter, Amp Gauge   |  |
| 6    | 054N6006  |    |       | 1  | 1      |    |        |     |       |     |     | Oil Pressure Gauge   |  |
| 7    | 054N6005  |    |       | 1  | 1      |    |        |     |       |     |     | Gauge - Water Temperature  |  |
| 8    | 054N6007  |    |       | 1  | 1      |    |        |     |       |     |     | Gauge - Fuel   |  |
| 9    | 036B6015  |    |       | 1  |        |    |        |     |       |     |     | Ignition Switch  |  |
| 9    | 036B6015  |    |       |    | 1      |    |        |     |       |     |     | Ignition Switch  | Up to Chassis No. ?                      |
| 9    | 050B6155  |    |       |    | 1      |    |        |     |       |     |     | Blank - Ignition Switch Hole                                     | From Chassis No.<br>7001030001R          |
| 10   | 054M6002  |    |       | 2  | 2      |    |        |     |       |     |     | Switch - Heater Fan/Main Lamps                                   |  |
| 11   | 036M6097  |    |       | 2  |        |    |        |     |       |     |     | Switch - Window Lift   |  |
| 11   | 036M6290  |    |       |    | 2      |    |        |     |       |     |     | Switch - Window Lift   |  |
| 12   | 036M6094  |    |       | 1  |        |    |        |     |       |     |     | Switch - Blanking  |  |
| 12   | 036M6095  |    |       | 1  |        |    |        |     |       |     |     | Switch - Hazard Warning - Germany - Italy - Switzerland & Japan) | Up to Chassis No. ?                      |
| 12   | 036M6271  |    |       | 1  | 1      |    |        |     |       |     |     | Switch - Hazard Warning - Germany - Italy - Switzerland & Japan) | From Chassis No. ?                       |
| 12   | A036M6336 |    |       |    | 1      |    |        |     |       |     |     | Switch - Hazard Warning  |  |
| 13   | 050M0123  |    |       | 1  | 1      |    |        |     |       |     |     | Switch - Wiper/Washer Pump                                       |  |
| 13   | A050M6052 |    |       | 1  | 1      |    |        |     |       |     |     | Switch - Wiper/Washer  |  |
| 14   | 036M6089  |    |       |    | 1      |    |        |     |       |     |     | Switch - Test - Brake fail Lamp                                  |  |
| 15   | 054B0038  |    |       | 1  | 1      |    |        |     |       |     |     | Choke Cable  |  |
| 15   | A054B0038 |    |       | 1  | 1      |    |        |     |       |     |     | Choke Cable  |  |
| 15   | 054B0037  |    |       | 1  | 1      |    |        |     |       |     |     | Cable - Heater   |  |
| 16   | A054B0037 |    |       | 1  | 1      |    |        |     |       |     |     | Cable - Heater   |  |
| 17   | 050M6096  |    |       | 1  | 1      |    |        |     |       |     |     | Instrument Stabilizer  |  |
| 18   | 036M6278  |    |       | 1  | 1      |    |        |     |       |     |     | Warning Lamp - Direction Indicator                               |  |
| 19   | 036M6277  |    |       | 1  | 1      |    |        |     |       |     |     | Warning Lamp - Oil   |  |
| 20   | 036M6279  |    |       | 1  | 1      |    |        |     |       |     |     | Warning Lamp - High Beam   |  |
| 21   | 036M6277  |    |       | 1  |        |    |        |     |       |     |     | Warning Lamp - Hazard  |  |

ML



Lotus Europa S1/S2 Parts Manual - Section ML - Electrical - Gauges S2 - Page 4

| Item | Lotus #        | S1 | S1A/B | S2 | S2 Fed | TC | TC Fed | TCS | TCS F | LHD | RHD | Description                              | Change Point Notes<br>Bulletin Reference |
|------|----------------|----|-------|----|--------|----|--------|-----|-------|-----|-----|--|--|
| 21   | 036M6277       |    |       |    | 1      |    |        |     |       |     |     | Warning Lamp - Hazard                    |  |
| 21   | A050M0151      |    |       |    | 1      |    |        |     |       |     |     | Warning Lamp - Hazard                    |  |
| 21   | 036M6277       |    |       |    | 1      |    |        |     |       |     |     | Warning Lamp - Brake Fail                |  |
| 21   | 036M6291 (987) |    |       |    |        |    |        |     |       |     |     | Bulb (987) - Instruments (As Required)   |  |
| 21   | 050H6130 (281) |    |       |    |        |    |        |     |       |     |     | Bulb (281) - Warning Lamps (As Required) |  |
| 21   | 036B6144       |    |       |    | 2      |    |        |     |       |     |     | Blanking Plug                            |  |