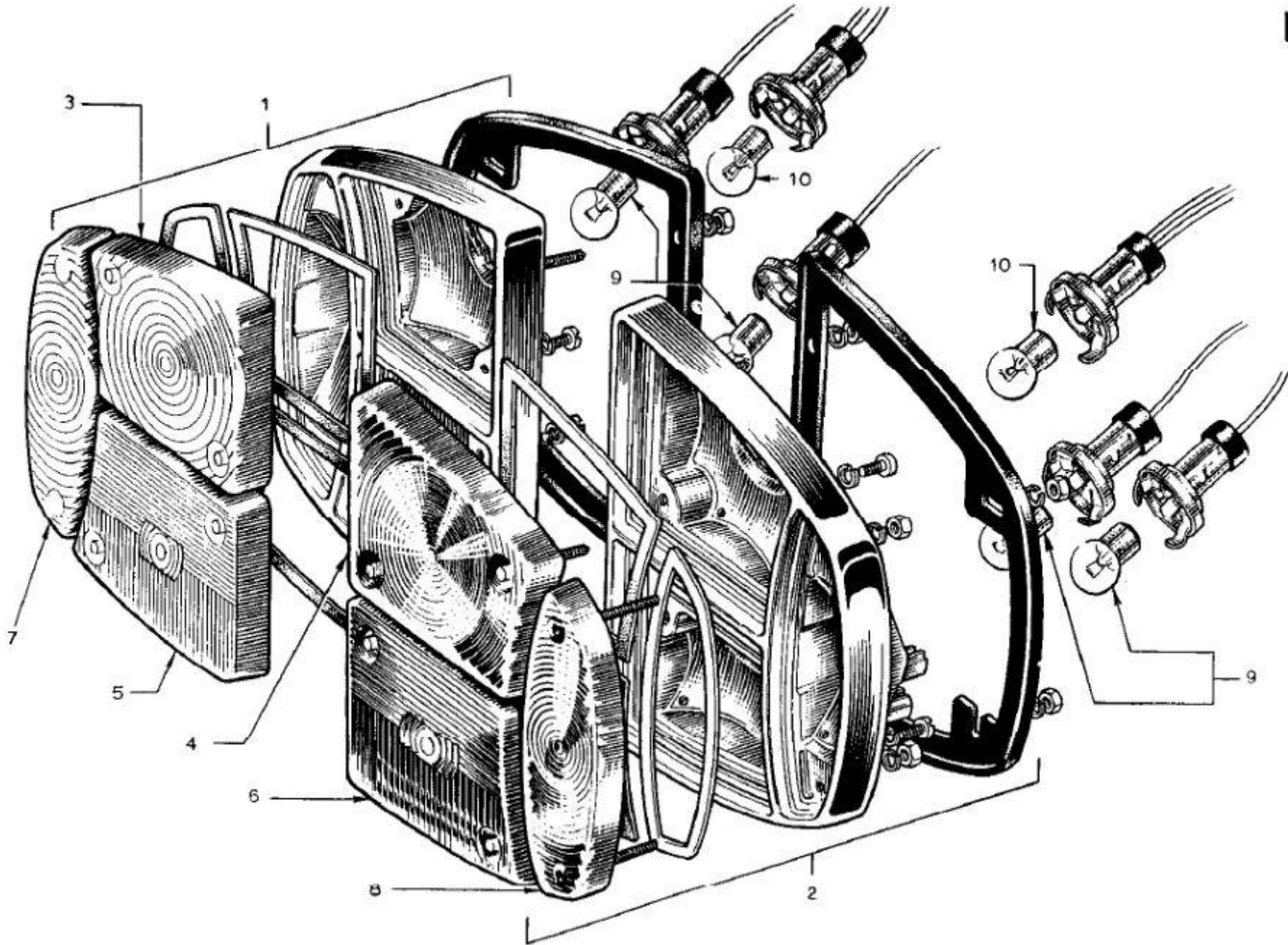


MD



Lotus Europa S1/S2 Parts Manual - Section MD - Electrical - Taillights S1 and S1A - Page 2

| Item | Lotus # | S1 | S1A/B | S2 | S2 Fed | TC | TC Fed | TCS | TCS F | LHD | RHD | Description | Change Point Notes Bulletin Reference |
|------|-----------------|----|-------|----|--------|----|--------|-----|-------|-----|-----|-----------------------|--|
| 1 | 046M6142 | 1 | 1 | | | | | | | | | Rear Lamp Assembly LH | Up to Chassis No. 0541 |
| 2 | 046M6143 | 1 | 1 | | | | | | | | | Rear Lamp Assembly RH | Up to Chassis No. 0541 |
| 3 | 046M6189 | 1 | 1 | | | | | | | | | Lens | Up to Chassis No. 0541 |
| 4 | 046M6192 | 1 | 1 | | | | | | | | | Lens | Up to Chassis No. 0541 |
| 5 | 046M6191 | 1 | 1 | | | | | | | | | Lens | Up to Chassis No. 0541 |
| 6 | 046M6194 | 1 | 1 | | | | | | | | | Lens | Up to Chassis No. 0541 |
| 7 | 046M6190 | 1 | 1 | | | | | | | | | Lens - Indicator LH | Up to Chassis No. 0541 |
| 7 | 046M6193 | | | | | | | | | | | Replaced by 046M6190 | |
| 8 | 046M6190 | 1 | 1 | | | | | | | | | Lens - Indicator RH | Up to Chassis No. 0541 |
| 9 | A036M6329 (382) | 4 | 4 | | | | | | | | | Bulb (382) | Up to Chassis No. 0541 |
| 10 | A036M6331 (380) | 2 | 2 | | | | | | | | | Bulb (380) | Up to Chassis No. 0541 |