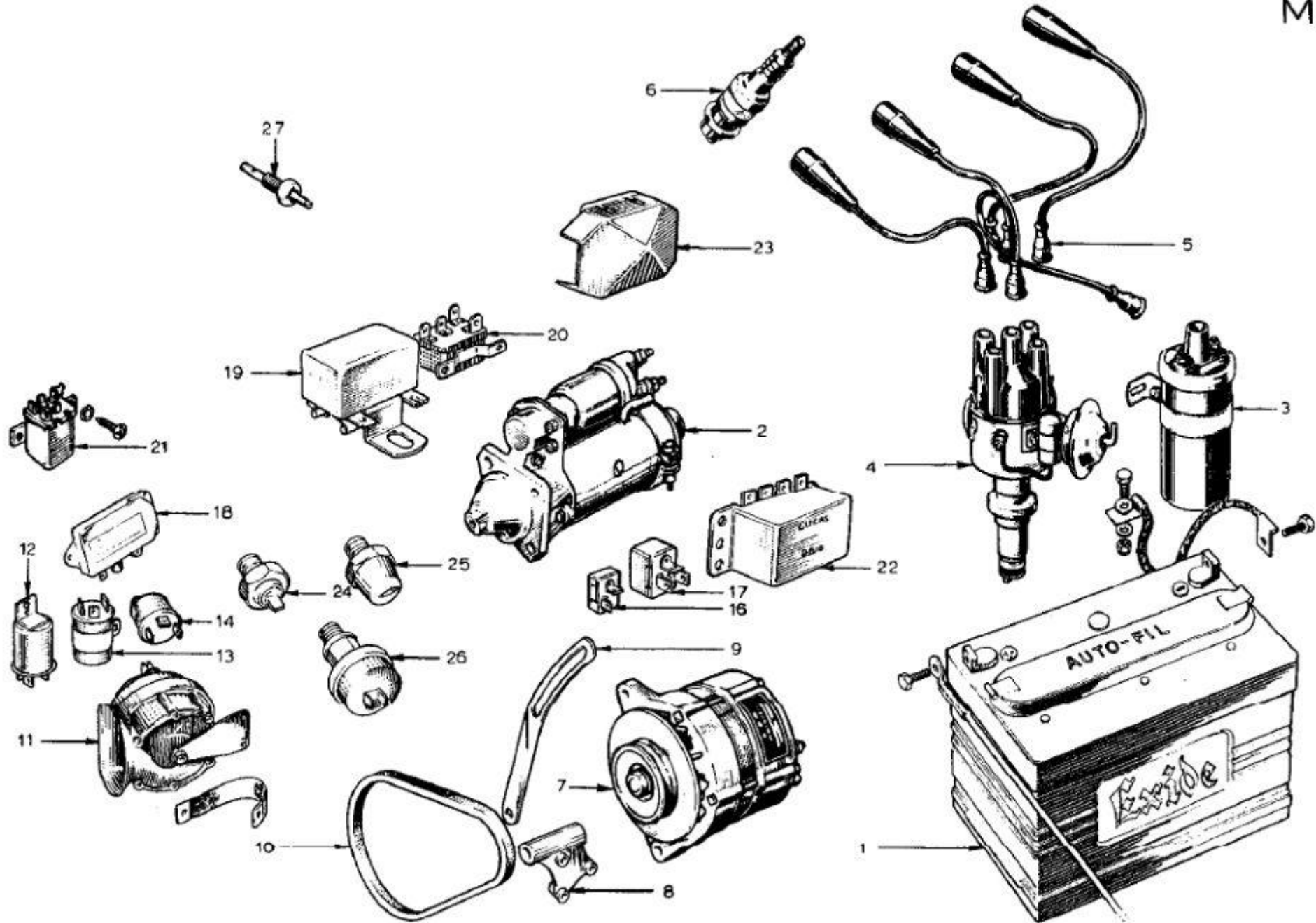


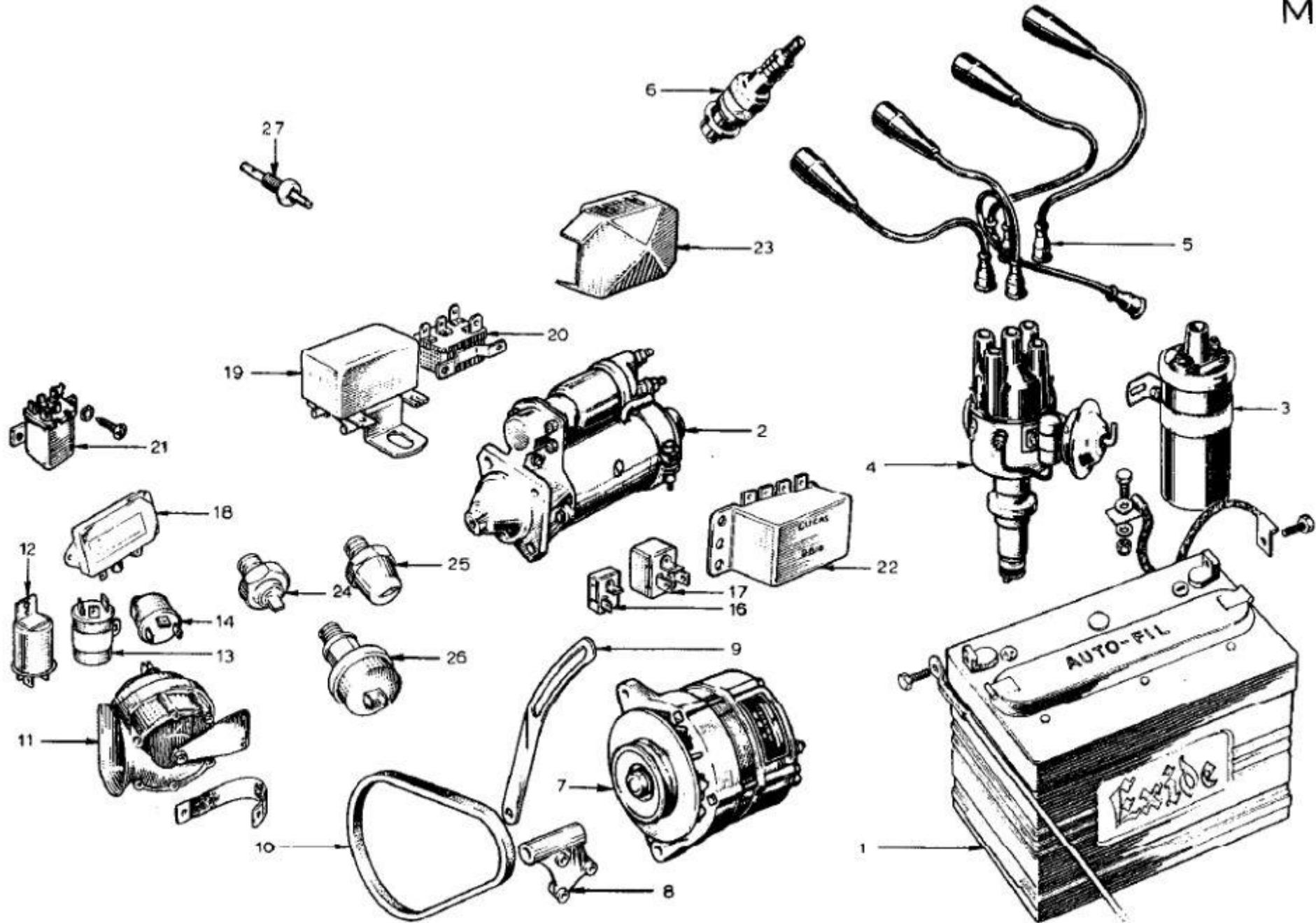
Lotus Europa S1/S2 Parts Manual - Section MA - Electrical - Major Components - Page 2

Item	Lotus #	S1	S1A/B	S2	S2 Fed	TC	TC Fed	TCS	TCS F	LHD	RHD	Description	Change Point Notes Bulletin Reference
	046M0719	1									+	Main Loom	
	A046M0704		1								+	Main Loom	
	054M0704			1								Main Loom	Up to Chassis No. ?
	054M0704A			1								Main Loom	From Chassis No. ?
	A054M0704A			1								Main Loom (Sweden)	From Feb. 1970
	036M6368			8	8							Cable Strap	
	054M0786				1							Loom - Brake Fail - Engine Bay	
	054M0785				1							Loom - Brake Fail - Facia	
	054M0763				1							Loom - Brake Fail and Hazard Warning	From Chassis No 1066 to ?
	054M0785				1							Loom - Brake Fail - Dual Braking System	
	054M0786				1							Loom - Brake Fail - Dual Braking System	
	054M0759			1	1							Loom - Window Lift & Radio Speakers	
	054M0789			1	1							Loom - Extension - Window Lift	Up to Chassis No. ?
	046M0725			1	1							Jumper Loom - Steering Column with Lock	
	054M0788			1	1							Extension Loom - Window Lift	From Chassis No. ?
	050M0106	1	1	1	1							Earth Lead	
1	036M6002	1	1	1	1							Battery (dry charged)	
1	046M0046	1	1	1	1							Cable - Battery to Starter	
1	026M0045	14	14	14	14							Cable - Battery to Earth	
1	A026M0045	1	1	1	1							Cable - Battery to Earth	
1	046M0039	1	1	1	1							Ground Strap - Engine to Chassis	
2	046M6026	1	1									Starter Motor	
2	054M6007			1	1							Starter Motor	
2	A054M6086				1							Starter Motor	
2	046M6051	1	1									Solenoid	
2	054M6008			1	1							Solenoid	
2	046M6054	1	1									Brush Set	
2	054M6032			1	1							Brush Set	
3	046M6094	1	1	1	1							Ignition Coil	
3	A046M6094	1	1	1	1							Ignition Coil	
4	046M6055	1	1	1								Distributor (697-04)	
4	A046M6087				1							Distributor (821-30)	
4	046M6056	1	1	1	1							Distributor Cap	



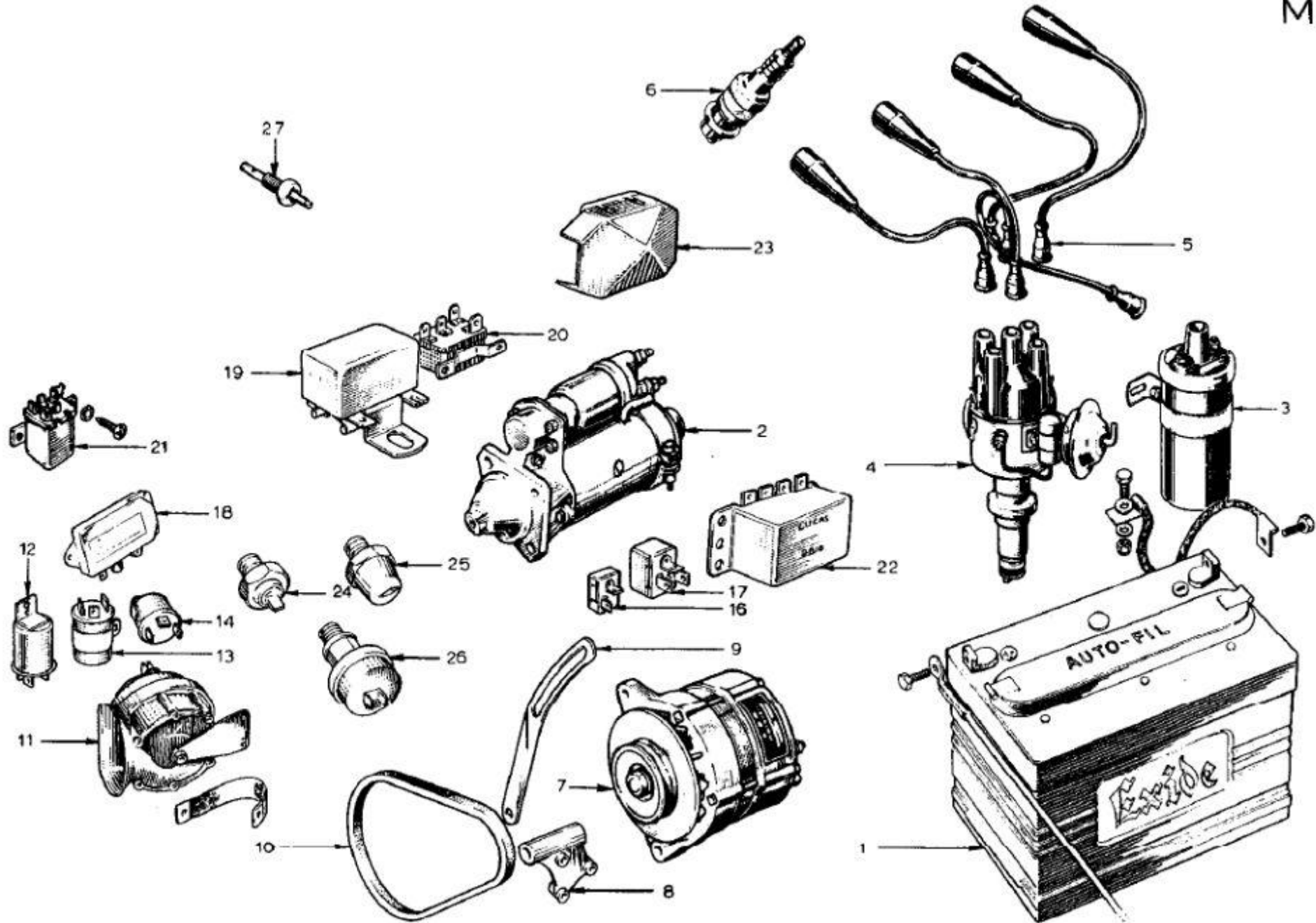
Lotus Europa S1/S2 Parts Manual - Section MA - Electrical - Major Components - Page 4

Item	Lotus #	S1	S1A/B	S2	S2 Fed	TC	TC Fed	TCS	TCS F	LHD	RHD	Description	Change Point Notes Bulletin Reference
4	046M6064	1	1	1	1							Brush - Distributor Cap	
4	046M6062	1	1	1	1							Rotor Arm - Distributor	
4	046M6086	1	1	1	1							Contact Plate Assembly	
4	046M6063	1	1	1	1							Contact Breaker Set (points)	
4	046M6061	1	1	1	1							Washer - Contact Breaker Retaining	
4	046M6060	1	1	1	1							Clip - Contact Breaker Retaining	
4	A046M6068	1	1	1	1							Adjusting Screw	
4	046M6088	1	1	1	1							Vacuum Advance Control	
4	046M6059	1	1	1	1							Condensor - Distributor	
5	A046M6116	1	1	1	1							Cable Set (Spark Plug Wires)	
5	046M6117	1	1	1	1							Cable - No. 1 Cylinder (Spark Plug Wire)	
5	A046M6117	1	1	1	1							Cable - No. 2 Cylinder (Spark Plug Wire)	
5	046M6118	1	1	1	1							Cable - No. 3 Cylinder (Spark Plug Wire)	
5	046M6119	1	1	1	1							Cable - No. 4 Cylinder (Spark Plug Wire)	
5	046M6120	1	1	1	1							Distributor Cable to Coil	
6	046M6096	4	4	4	4							Spark Plug or 046M6097	
6	046M6097	4	4	4	4							Spark Plug or 046M6096	
7	046M6003											Replaced by 046M6003 (697-04) with 1 of 046E6489 - 1 of A046M6099 - 1 of A046M6106 & 1 of A046M6108	Up to Engine No - 0389
7	A046M6003	1	1	1	1							Alternator	
8	046M6099	1	1	1	1							Mounting Bracket - Alternator (697-04) Replaced by A046M6099 with 1 of A046M6106 & 2 of 046M6108	Up to Engine No. 0389
8	A046M6099	1	1	1	1							Mounting Bracket - Alternator	697-04 From Engine No. 0390 - 821-30 From Engine No. 0001
8	046M6106	1	1	1	1							Bolt - Alternator Mounting Bracket	Up to Engine No. 0389
8	A046M6106	1	1	1	1							Bolt - Alternator Mounting Bracket	697-04 From Engine No. 0390 - 821-30 From Engine No. 0001
8	046M6108	2	2	2	2							Bolt - Alternator Mounting Bracket (697-04)	Up to Engine No. 0389
8	A046M6108	2	2	2	2							Bolt - Alternator Mounting Bracket	697-04 From Engine No. 0390 - 821-30 From Engine No. 0001
8	A046W6074	3	3	3	3							Washer - Alternator Mounting Bracket Bolts	



Lotus Europa S1/S2 Parts Manual - Section MA - Electrical - Major Components - Page 6

Item	Lotus #	S1	S1A/B	S2	S2 Fed	TC	TC Fed	TCS	TCS F	LHD	RHD	Description	Change Point Notes Bulletin Reference
8	046M6104	1	1	1	1							Bolt - Alternator to Mounting Bracket	
8	046M6101	1	1	1	1							Spacer-Washer - Alternator to Mounting Bracket	
8	A046W6071	1	1	1	1							Washer - Alternator to Mounting Bracket	
8	A046W6072	1	1	1	1							Lock Washer - Alternator to Mounting Bracket	
8	046M6107	1	1	1	1							Nut Washer - Alternator to Mounting Bracket	
9	046M6103	1	1	1	1							Link - Alternator Drive Belt Adjustment	
9	A046W6076	1	1	1	1							Bolt (697-04) - Alternator to Adjusting Link	
9	A046W6077	1	1	1	1							Bolt (821-30) - Alternator to Adjusting Link	
9	A046W6078	1	1	1	1							Washer - Alternator to Adjusting Link	
9	A046W6016	1	1	1	1							Lock Washer - Alternator to Adjusting Link	
9	A046W6079	1	1	1	1							Nut - Alternator to Adjusting Link	
9	A046W6075	1	1	1	1							Bolt - 8 x 30 mm. - Adjusting Link to Engine	
9	A046W6018	1	1	1	1							Spring Washer - Adjusting Link to Engine	
10	046M6109	1	1	1	1							Drive Belt - Water Pump to Alternator	
11	036M7079	1	1	1	1							Horn - Standard	
11	XUFS0406	2	2	2	2							Bolt - Horn Mounting	
11	XUFN040F	2	2	2	2							Nut - Horn Mounting	
11	A04W1606	2	2	2	2							Washer - Horn Mounting	
11	050M6056	1	1	1	1							Air Horn Set - Optional	
11	050B1526	1	1	1	1							Mounting Bracket - Air Horns	
11	XUFS0412	4	4	4	4							Screw - Compressor Mounting	
11	YUFN040F	4	4	4	4							Nut - Compressor Mounting	
11	A04W1606	2	2	2	2							Washer - Compressor Mounting	
11	PSTS0610	2	2	2	2							Screw - Air Horn Relay Mounting	
11	036B6001	2	2	2	2							Nut - Air Horn Relay Mounting	
12	046M6168	1	1									Flasher unit - Indicators	Up to Chassis No. 0541
13	036M6270			1								Flasher Unit - Hazard Warning	From Chassis No. ?
13	036M6270				1							Flasher Unit - Hazard Warning	From Chassis No. ? To ?
14	036M6024			1								Flasher unit - Indicators	From Chassis No. ?
14	036M6024				1							Flasher unit - Indicators	From Chassis No. ? To ?
16	036M6300				1							Flasher unit - Indicators	From Chassis No. 7001030001R
17	036M6334				1							Flasher Unit - Hazard Warning	From Chassis No. 7001030001R



Lotus Europa S1/S2 Parts Manual - Section MA - Electrical - Major Components - Page 8

Item	Lotus #	S1	S1A/B	S2	S2 Fed	TC	TC Fed	TCS	TCS F	LHD	RHD	Description	Change Point Notes Bulletin Reference
18	046M6000	1	1									Voltage Regulator	
18	046M6209			1	1							Voltage Regulator (Replaced by A054M6083)	
19	A054M6083			1	1							Voltage Regulator	Up to Chassis No. ?
19	A054M6094			1	1							Voltage Regulator	From Chassis No. ?
20	050M6063			1	1							Alternator Relay - Switches Alternator Field	
20	PSTS0806			4	4							Screw - Regulator/Relay Mounting	
20	046B6025			4	4							Nut (replaced by 036B6001) - Regulator/Relay Mounting	
20	036B6001			4	4							Nut - Regulator/Relay Mounting	
21	046M6002	1	1	1	1							Radiator Fan Motor Relay	
22	A036M6326				1							Relay - Tail Lamp	From Chassis No. 7001030001R
22	A036M0140				1							Earth Cable	From Chassis No. 7001030001R
23	046M6159	1	1	1	1							Fuse Box	
23	036M6109											Fuse (As Required)	
23	PSTS1008	1	1	1	1							Screw - Fuse Box Mounting	
23	451B	1	1	1	1							Nut - Fuse Box Mounting	
23	046E6347	1	1	1	1							Water Temperature Transmitter (replaced by 046E6379)	
24	046E6379	1	1	1	1							Water Temperature Transmitter	
25	046M6095	1	1	1								Oil Pressure Warning Lamp Switch	
25	A046M6095				1							Oil Pressure Warning Lamp Switch	
25	046M6093	1	1	1	1							Oil Pressure Warning Lamp Switch Seal Ring	
26	046E6378	1	1	1	1							Oil Pressure Transmitter	
26	046M6196		2									Courtesy Lamp Switch - (replaced by 036M6266)	
27	046M6266		2									Courtesy Lamp Switch	
27	050M6066			2	2							Courtesy Lamp Switch	
27	026M0059	2	2	2	2							Courtesy lamp Gasket	
	046M6031		1									Cigar Lighter	
	046M6074		1									Cigar Lighter Element	