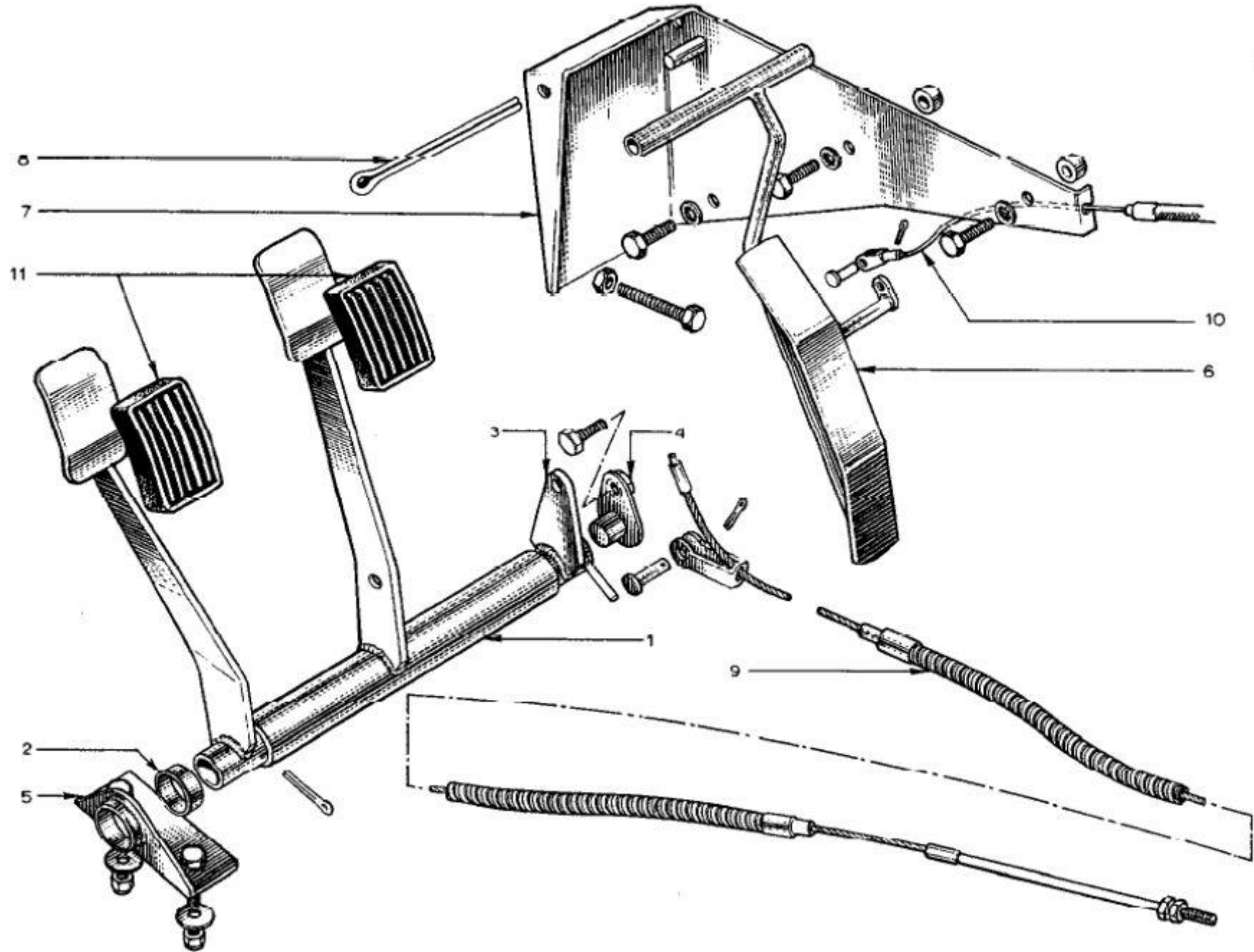


JE



Lotus Europa S1/S2 Parts Manual - Section JE - Pedals - S1 and S1Mk1 - Page 2

Item	Lotus #	S1	S1A/B	S2	S2 Fed	TC	TC Fed	TCS	TCS F	LHD	RHD	Description	Change Point Notes Bulletin Reference
1	046J0707	1	1								+	Pedal Assembly	
2	046J6027	1	1								+	Bushing - Clutch Pedal Shaft	
3	046J0073	1	1								+	Spikot Plate	
4	046J6026	1	1								+	Support Bush - Brake Pedal	
4	XUFS0412	1	1								+	Screw - Support Bush to Chassis	
4	L04W0000	1	1								+	Washer - Support Bush to Chassis	
5	046J0030	1	1								+	Pedal Mounting Bracket	
5	YUFN040F	2	2								+	Nut - Mounting Bracket to Body	
5	A04W0905	2	2								+	Washer - Mounting Bracket to Body	1/32" thick, 1/2" OD, 1/4" ID
6	046S0702	1	1								+	Throttle Pedal Assembly	
7	046S0081	1	1								+	Mounting Bracket - Throttle pedal	
8	046S6016	1	1								+	Pivot Pin	
8	XUFS0412	3	3								+	Screw - Throttle Pedal Mounting	
8	L04W0000	3	3								+	Washer - Throttle Pedal Mounting	
8	XUFS0416	1	1								+	Screw - Throttle Stop	
8	AUFN040H	1	1								+	Nut - Throttle Stop	
9	046Q0025	1	1								+	Clutch Cable	
9	W0084	1	1									Clevis Pin - Clutch Cable to Pedal	
9	W0086	1	1									Split Pin - Clutch Cable to Pedal	
10	046S0702	1	1									Throttle Cable	
10	W0084	1	1									Clevis Pin - Throttle Cable to Pedal	
10	W0086	1	1									Split Pin - Throttle Cable to Pedal	
11	036J6011	1	1									Replaced by 036J6029	
11	036J6029	2	2	2	2							Pedal Rubber	