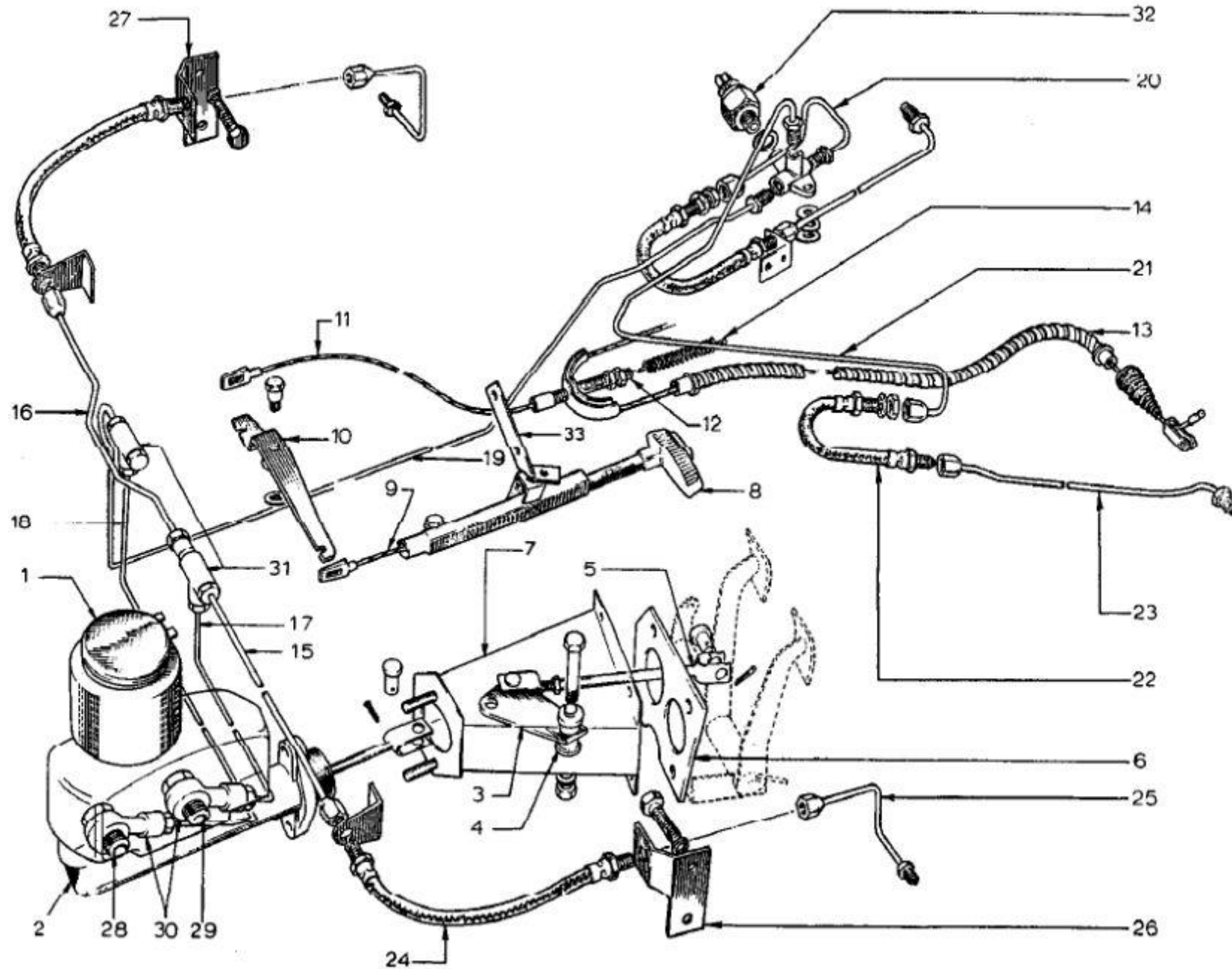


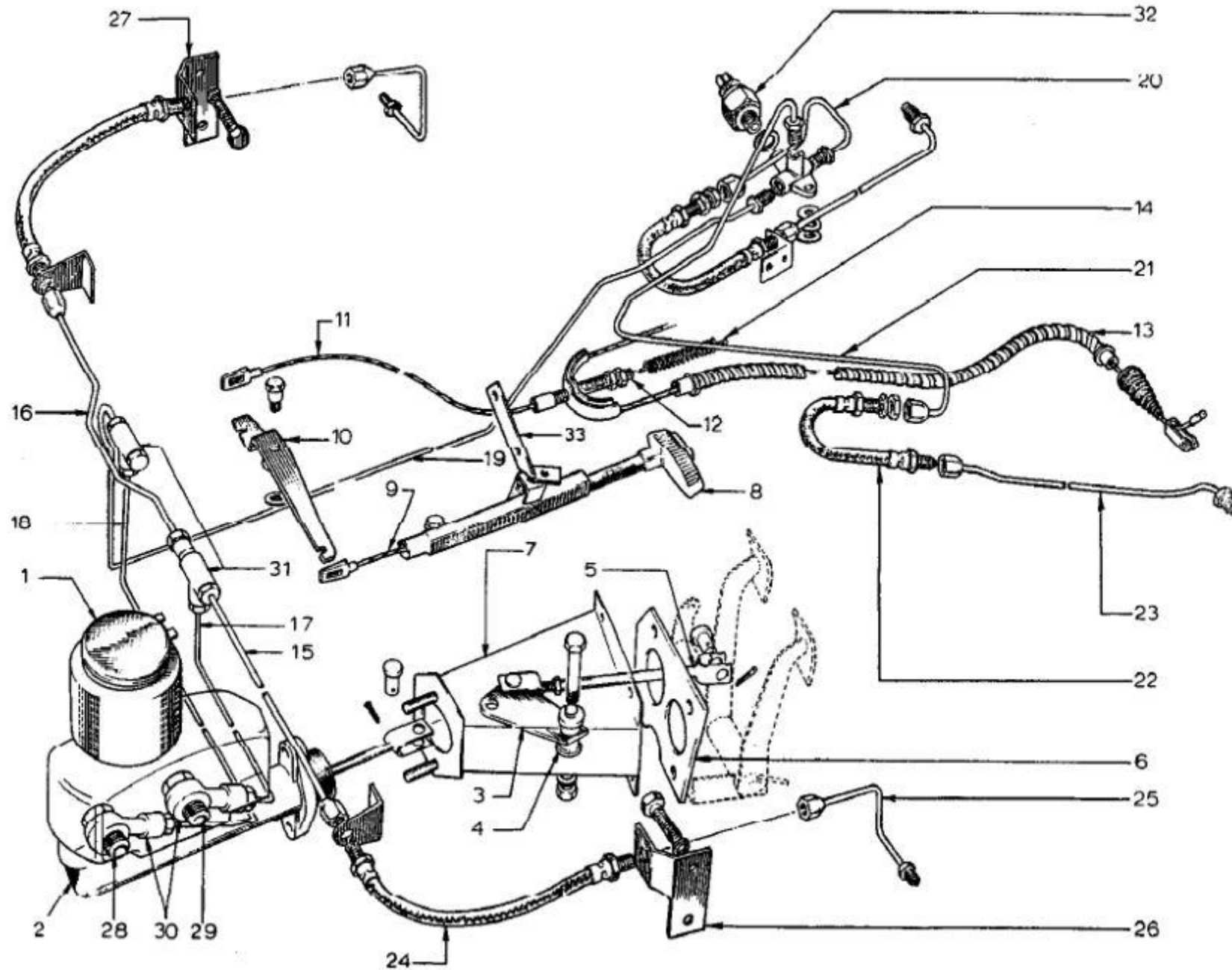
JB



Lotus Europa S1/S2 Parts Manual - Section JB - Brakes - Non-servo Assisted - Page 2

Item	Lotus #	S1	S1A/B	S2	S2 Fed	TC	TC Fed	TCS	TCS F	LHD	RHD	Description	Change Point Notes Bulletin Reference
1	036J6069				1							Sovy Device including canister	Up to Chassis No. 2089
1	054J0741				1							Sovy Device including canister	From Chassis No. 2090
1	054J0742				1							Sovy Device	From Chassis No. 2090
1	065J0140				1							Canister	From Chassis No. 2090
2	054J6008				1							Master Cylinder (Tandem)	
2	054J6019											Repair Kit - Master Cylinder (As Required)	
3	054J0114				1							Relay Lever	
4	046J6163				2							Bushing - Relay Lever Mounting	
4	W0019				1							Bushing - Relay Lever Mounting	
4	XUFN0436				1							Bolt - Relay Lever Mounting	
4	YUFN040F				1							Nut - Relay Lever Mounting	
4	A046J0904 ?				1							Washer - Relay Lever Mounting	
4	430B				1							Clevis Pin - Master Cylinder Push Rod to Relay Lever	
5	415				1							Split Pin - Master Cylinder Push Rod to Relay Lever	
5	054J0729				1							Adjustable Link - Brake Pedal to Relay Lever	
5	430B				1							Clevis Pin - Push Rod to Pedal	
5	026J6098 (415)				1							Split Pin - Push Rod to Pedal	
5	W0084				1							Clevis Pin - Push Rod to Relay Lever	
5	415				1							Split Pin - Push Rod to Relay Lever	
6	054J0122				1							Tapping Plate - Master Cylinder Mounting	
7	054J0115				1							Mounting Bracket - Master Cylinder Mounting	
7	XUFB0510				4							Bolt - Master Cylinder Mounting	
7	L05W0000				4							Washer - Master Cylinder Mounting	7/64" thick split washer, 19/32" OD, 5/16" ID
7	YUFN050F				2							Nut - Master Cylinder to Mounting Bracket	
7	A05W1606				2							Washer - Master Cylinder to Mounting Bracket	3/32" thick, 7/8" OD, 13/32" ID
8	A026J0705			1	1							+ Handbrake Lever Assembly	
9	046J0067	1	1	1	1							Handbrake Cable - Lever to Multiplier	
10	046J0057	1	1	1	1							+ Multiplier	
10	046J0058	1	1	1	1							+ Multiplier	
10	046J0074	1	1	1	1							Pivot Bolt - Multiplier to Chassis	
10	W0078	1	1	1	1							Washer - Multiplier to Chassis	
11	046J0068	1	1	1	1							Handbrake Cable - Intermediate	

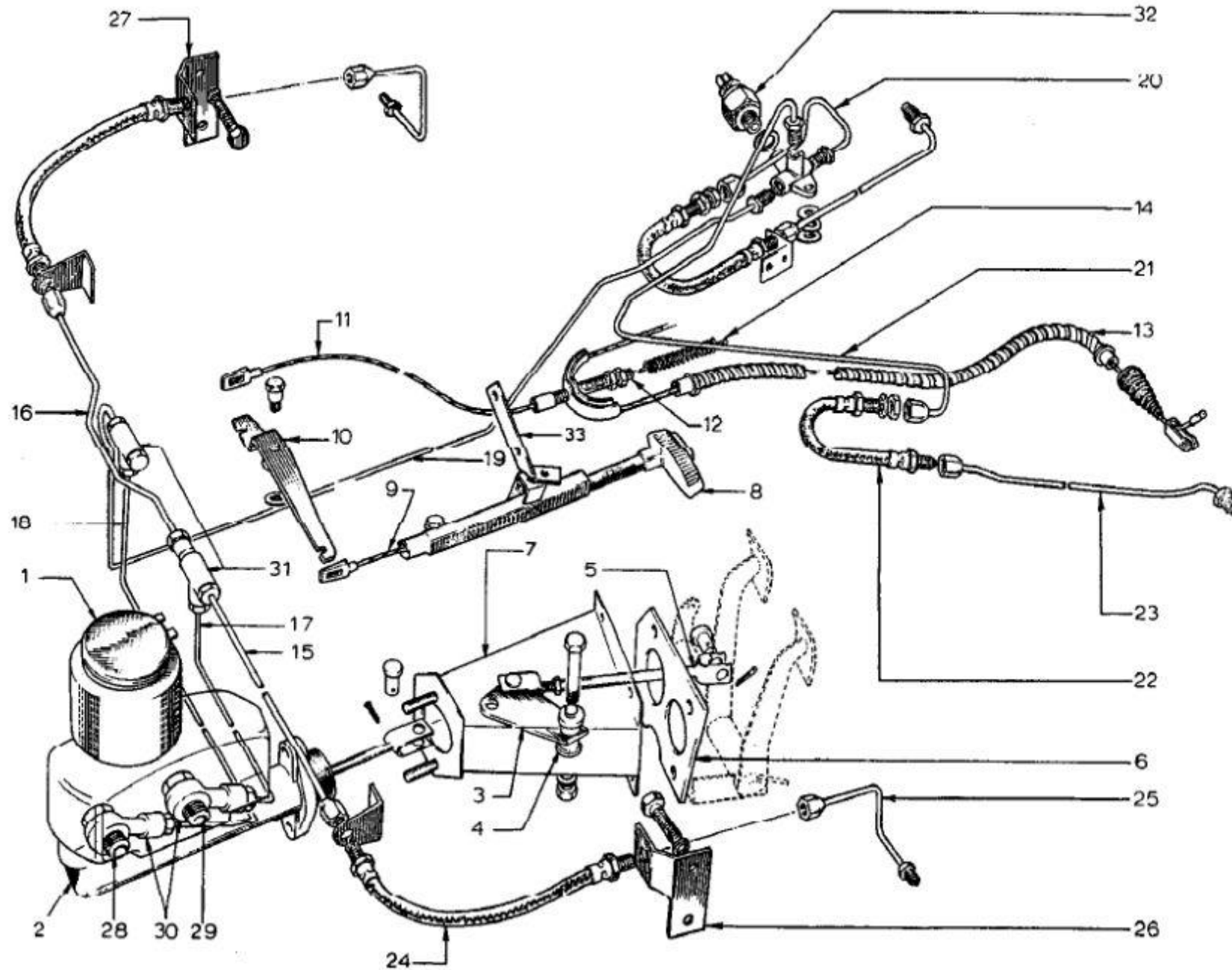
JB



Lotus Europa S1/S2 Parts Manual - Section JB - Brakes - Non-servo Assisted - Page 4

Item	Lotus #	S1	S1A/B	S2	S2 Fed	TC	TC Fed	TCS	TCS F	LHD	RHD	Description	Change Point Notes Bulletin Reference
12	046J6028	1	1	1	1							Compensator Assembly	
13	046J0069	1	1	1	1							Handbrake Cable - Rear	
14	A046J0016	1	1	1	1							Return Spring	
15	054J6036	1	1	1	1							Bundy Pipe - Union to Flexible Hose - Front LH	
16	054J6035	1	1	1	1							Bundy Pipe - Union to Flexible Hose - Front RH	
17	054J6015	1	1	1	1							Bundy Pipe - Master Cylinder to Union (Front Brakes)	
18	054J6016	1	1	1	1							Bundy Pipe - Master Cylinder to Union (Rear Brakes)	
18	054J6009				1							Bundy Pipe - Master Cylinder to Rear Union	
19	054J6006			1	1							Bundy Pipe - Front union to Rear Union	
20	046J6045	1	1	1	1							Bundy Pipe - Rear Union to Flexible Hose - Rear RH	
21	046J6043	1	1	1	1							Bundy Pipe - Rear Union to Flexible Hose - Rear LH	
22	046J6020	2	2	2	2							Flexible Hose - Rear	
22	AUFN060H	2	2	2	2							Nut - Flexible Hose Retaining	
22	L06W0000	2	2	2	2							Washer - Flexible Hose Retaining	
23	046J6042	2	2	2	2							Bundy Pipe - Flexible Hose to Rear Brake	
24	046J6016	2	2	2	2							Flexible Hose - Front	
24	AUFN060H	2	2	2	2							Nut - Flexible Hose Retaining	
24	L06W0000	2	2	2	2							Washer - Flexible Hose Retaining	
25	046J6044	2	2	2	2							Bundy Pipe - Flexible Hose to Caliper	
26	046J2000	1	1	1	1							Mounting Bracket - Flexible Hose LH	
27	046J2001	1	1	1	1							Mounting Bracket - Flexible Hose RH	
28	054J6013				1							Banjo Bolt	
29	054J6012				1							Banjo Bolt	
29	054J6014				2							Seal Ring	
29	054J6017				2							Seal Ring	
30	054J6011				2							Banjo Union	
31	036J6016				1							Union - 3 way	
31	A054J6036				1							Plug (Federal Cars Only)	
31	036J6059				1							Washer (Federal Cars Only)	
31	046J6017	1	1	1	1							Union - 4 Way	Attaches with 7/16 head, 1/4" x 28 TPI, 1" long bolt, & 1/4" x 28 TPI Nyloc nut
32	046J6025	1	1	1	1							Stop Lamp Switch	
32	036J6059	1	1	1	1							Seal Ring - Stop Lamp Switch	

JB



Lotus Europa S1/S2 Parts Manual - Section JB - Brakes - Non-servo Assisted - Page 6

Item	Lotus #	S1	S1A/B	S2	S2 Fed	TC	TC Fed	TCS	TCS F	LHD	RHD	Description	Change Point Notes Bulletin Reference
33	054J0103	1	1	1	1						+	Support Bracket - Handbrake	
33	XUFS0508	2	2	2	2							Screw - Support Bracket to Body	
33	A05W1006	2	2	2	2							Washer - Support Bracket to Body	
33	YUFN050F	2	2	2	2							Nut - Support Bracket to Body	
33	XUFS0508	1	1	1	1							Screw - Handbrake Lever to Support Bracket	
33	YUFN050F	1	1	1	1							Nut - Handbrake Lever to Support Bracket	