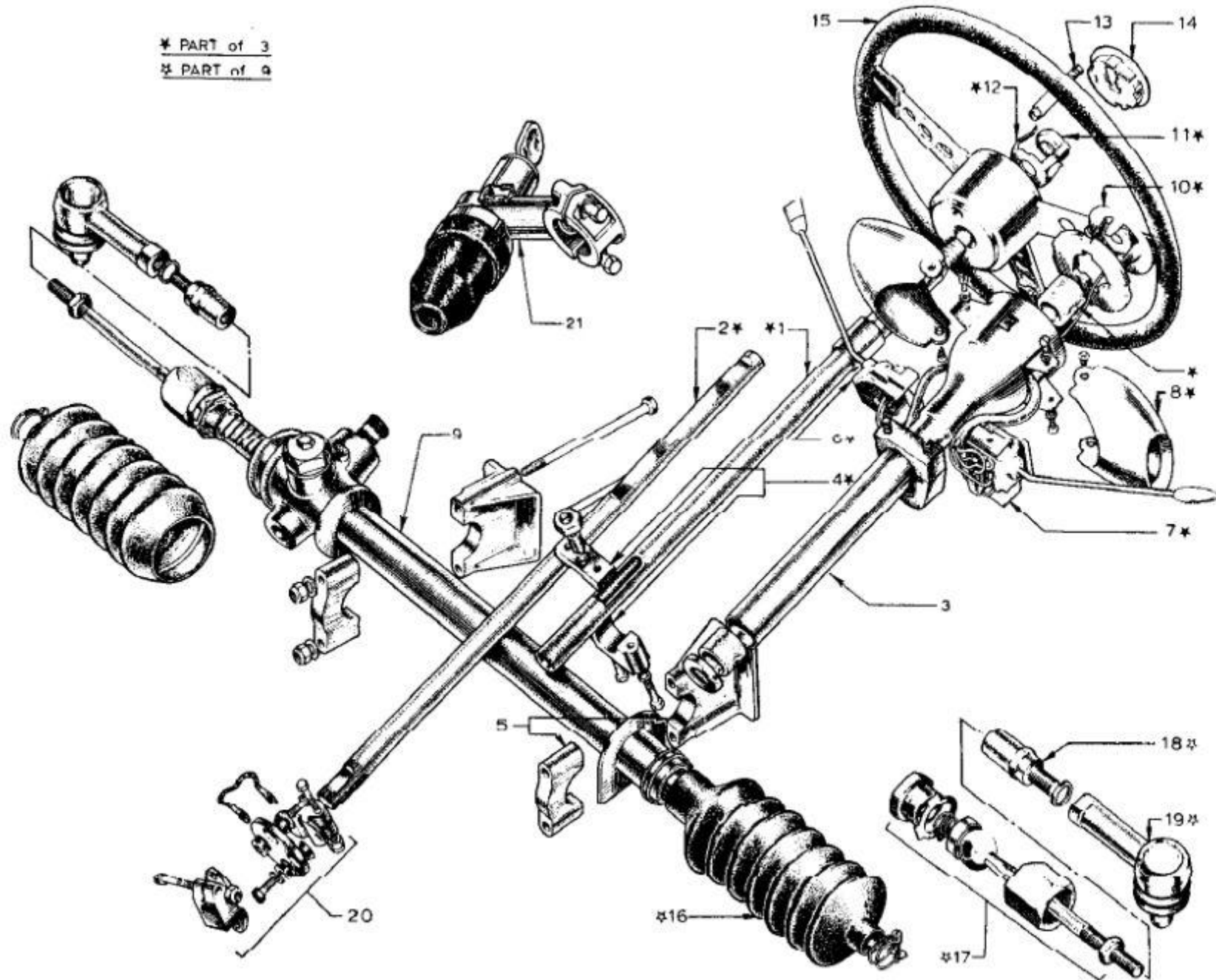


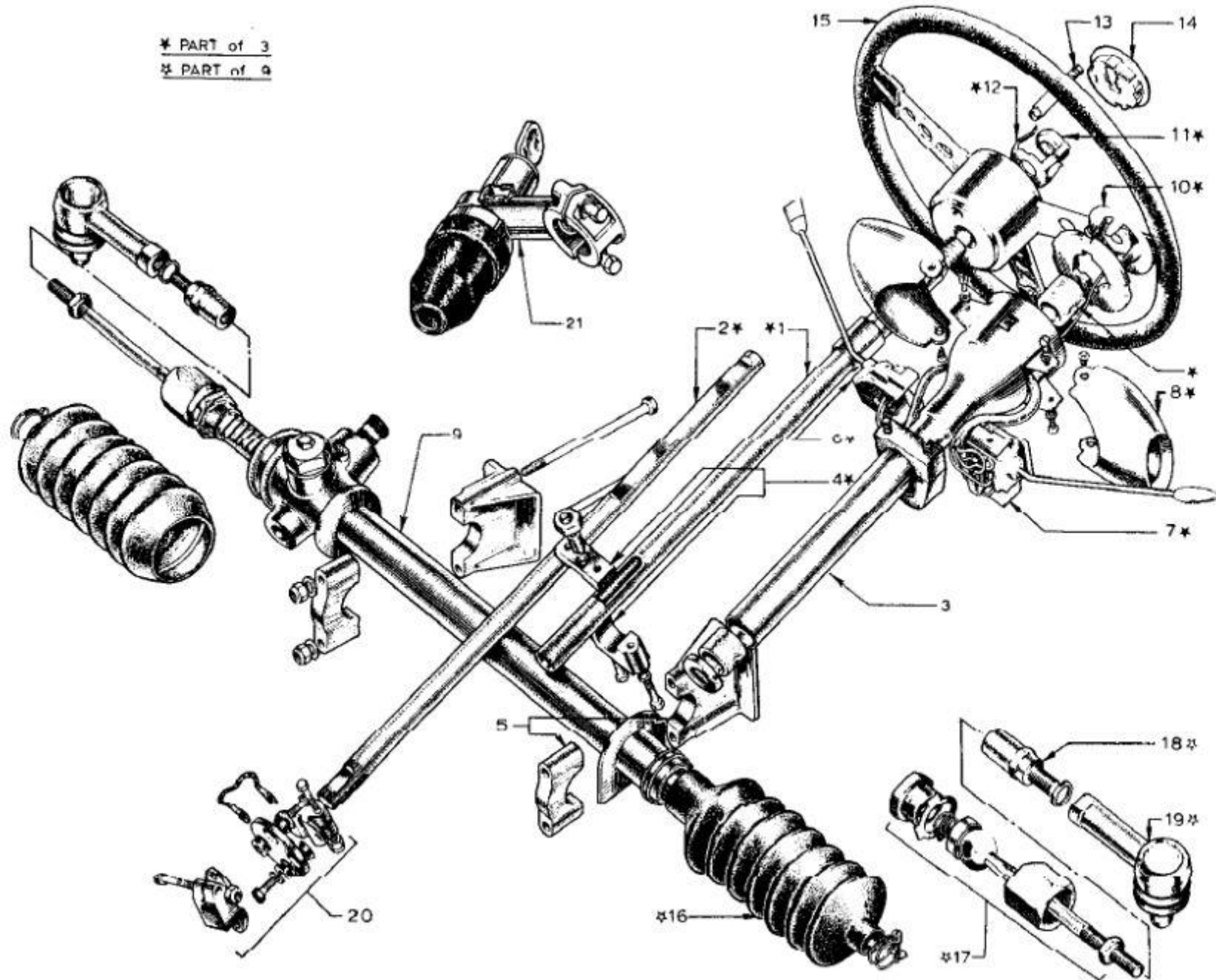
* PART of 3
* PART of 9



Lotus Europa S1/S2 Parts Manual - Section HA - Steering - Column and Steering Unit - Page 2

Item	Lotus #	S1	S1A/B	S2	S2 Fed	TC	TC Fed	TCS	TCS F	LHD	RHD	Description	Change Point Notes Bulletin Reference
1	046H6004	1	1	1	1							Inner Column - Upper	
2	046H6005	1	1	1	1							Inner Column - Lower	
3	A046H0705	1	1	1	1							Column Assembly (without lock)	
3	054H0723	1	1	1	1							Column Assembly (with lock)	
3	054H0730	1	1	1	1							Column Assembly (with lock)	
3	054H0731	1	1	1	1							Column Assembly (with lock)	
4	036H6038	1	1	1	1							Impact Clamp	
5	046H0015	2	2	2	2							Mounting Bracket - Steering Rack	
5	XUFB0456	4	4	4	4							Bolt - Mounting Bracket	3 1/2" long, 7/8" thread length, 1/4" x 28 TPI, 7/16" head
5	YUFN040F	4	4	4	4							Nut - Mounting Bracket	
5	A04W0904	4	4	4	4							Washer - Mounting Bracket	
6	036M6000	1	1	1	1							Switch - Indicators	
7	046M6183	1	1	1	1							Switch - Lamps selection	
8	036H6033	1	1	1	1							Escutcheon - Switches	
8	046H0703	1	1	1	1						+	Steering Rack	
9	046H0704	1	1	1	1						+	Steering Rack	
10	036H6009	1	1	1	1							Contact Plate - Horn	
11	036H6035	1	1	1	1							Nut - Steering Wheel to column	
12	036H6008	1	1	1	1							Clip - Horn push retaining	
13	036H6005	1	1	1	1							Brush - Horn contact	
14	036H6004	1	1	1	1							Horn push or 036M6090	
14	036M6090	1	1	1	1							Horn push or 036H6004	
14	028H0030	1	1	1	1							Horn Button	
15	036H6006	1	1	1	1							Steering Wheel	
16	036H6027	2	2	2	2							Bellows - Steering Rack	
17	046H6006	2	2	2	2							Tie-rod assembly	
17	046H6002	2	2	2	2							Tie-rod adaptor	Replaced by 054H0056 and L08W0000 From Chassis No. 1904
18	054H0056	2	2	2	2							Tie-rod adaptor	
18	L08W0000	2	2	2	2							Washer - Tie-rod adaptor	
19	036H6007	2	2	2	2							Ball Joint - Track rod (Tie Rod End)	
20	036H6002	1	1	1	1							Joint - Flexible or 050H6012	

* PART of 3
* PART of 9



Lotus Europa S1/S2 Parts Manual - Section HA - Steering - Column and Steering Unit - Page 4

Item	Lotus #	S1	S1A/B	S2	S2 Fed	TC	TC Fed	TCS	TCS F	LHD	RHD	Description	Change Point Notes Bulletin Reference
20	050H6012	1	1	1	1							Joint - Flexible or 036H6002	
21	A036H6065			1								Lock - Steering (without buzzer)	
21	A036H6064				1							Lock - Steering	