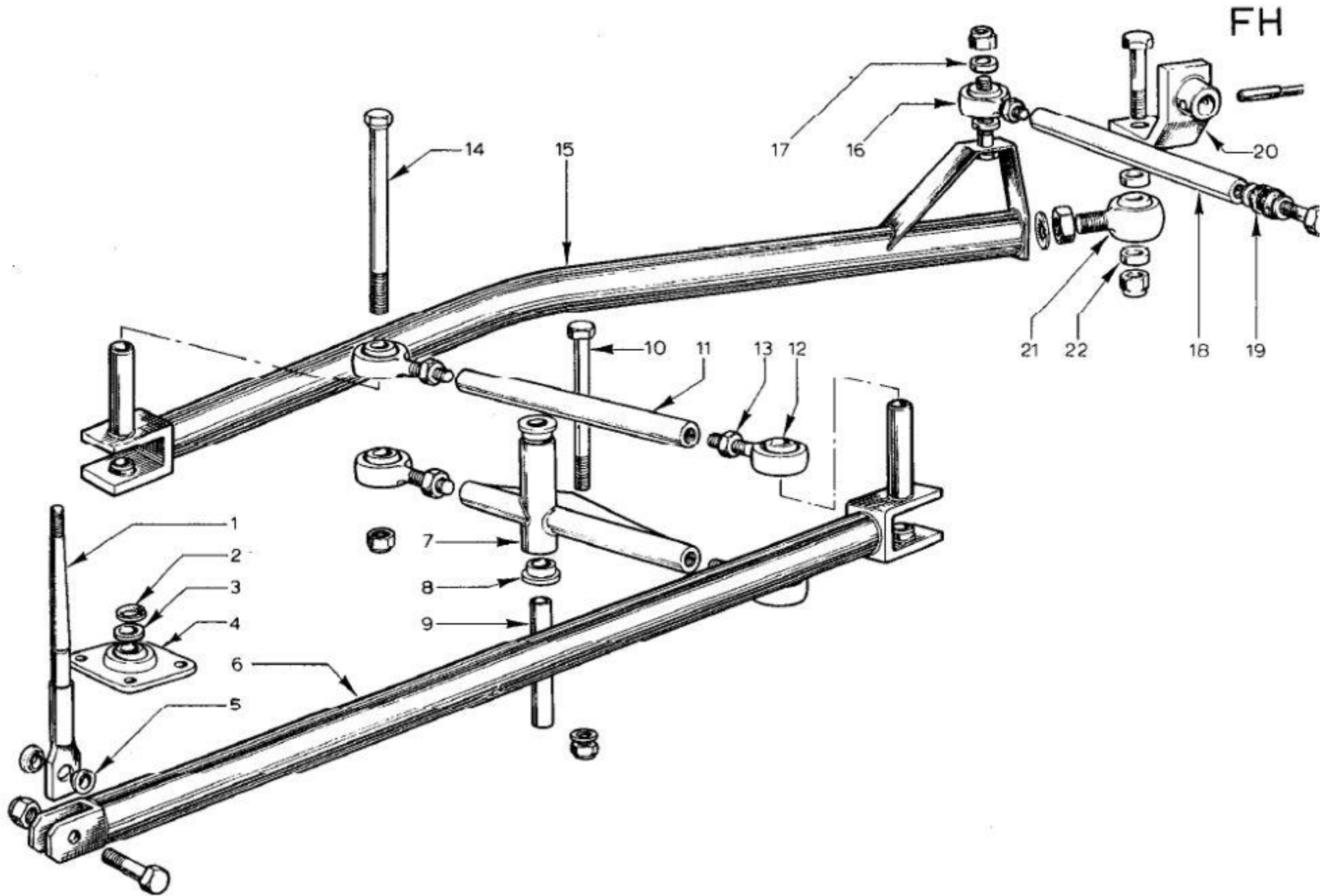


Lotus Europa S1/S2 Parts Manual - Section FH - Transmission - Shift Linkage (Late) - Page 2

Item	Lotus #	S1	S1A/B	S2	S2 Fed	TC	TC Fed	TCS	TCS F	LHD	RHD	Description	Change Point Notes Bulletin Reference
16	A065F6000			1	1							Ball Joint	
17	054F0145			2	2							Spacer	
17	YUFN050F			1	1							Locknut	
18	A065F0162			1	1							Location Link	
18	A05W1007			2	2							Washer - Location Link to gearbox	1/16" thick, 5/8" OD and 9/32" ID
19	054F6003			2	2							Gromet - Location Link to gearbox	
19	XUFB0520			1	1							Bolt - Location Link to gearbox	1 7/32" shaft, 15/16 thread length, 5/16" x 24 TPI threads
20	A065F0163			1	1							Actuator - Gearbox	
20	046F6151			1	1							Tension Pin	
21	A065F6001			1	1							Ball joint	
1	A065F0155			1	1							Gear Lever	
2	046F6156			1	1							Circlip	
3	065F0156			1	1							Spacer	
4	065F0169			1	1							Bearing Plate	
4	XUFS0310			4	4							Setscrew - Bearing Plate to Tunnel	
4	A03W0605			4	4							Washer - Bearing Plate to Tunnel	
4	LUFN100F			4	4							Locknut - Bearing Plate to Tunnel	
5	046F6153			2	2							Bush - Gear Lever to Front Link	
5	XUFB0413			1	1							Bolt - Gear Lever to Front Link	
5	YUFN040F			1	1							Locknut - Gear Lever to Front Link	
6	A065F0158			1	1							Longitudinal Link - Front	
7	B054F0127			1	1							Relay Lever	
8	046F6163	2	2	2	2							Nylon Bush	
9	054F0151	1	1	1	1							Swivel Tube	
10	XUFB0456			1	1							Bolt - Relay Lever to Mounting Bracket	3 1/2" long, 7/8" thread length, 1/4" x 28 TPI, 7/16" head
10	A04S0803	1	1	1	1							Washer	
10	YUFN040F	1	1	1	1							Locknut	
11	A065F0160			1	1							Link Tube	
12	046F6161			4	4							Ball Joint	
13	AUFN050F			4	4							Nut	
14	A065F0164			2	2							Bolt - Taper Head	



Lotus Europa S1/S2 Parts Manual - Section FH - Transmission - Shift Linkage (Late) - Page 4

Item	Lotus #	S1	S1A/B	S2	S2 Fed	TC	TC Fed	TCS	TCS F	LHD	RHD	Description	Change Point Notes Bulletin Reference
14	YUFN050F			2	2							Locknut	
15	A0650725			1	1							Longitudinal Link - Rear	