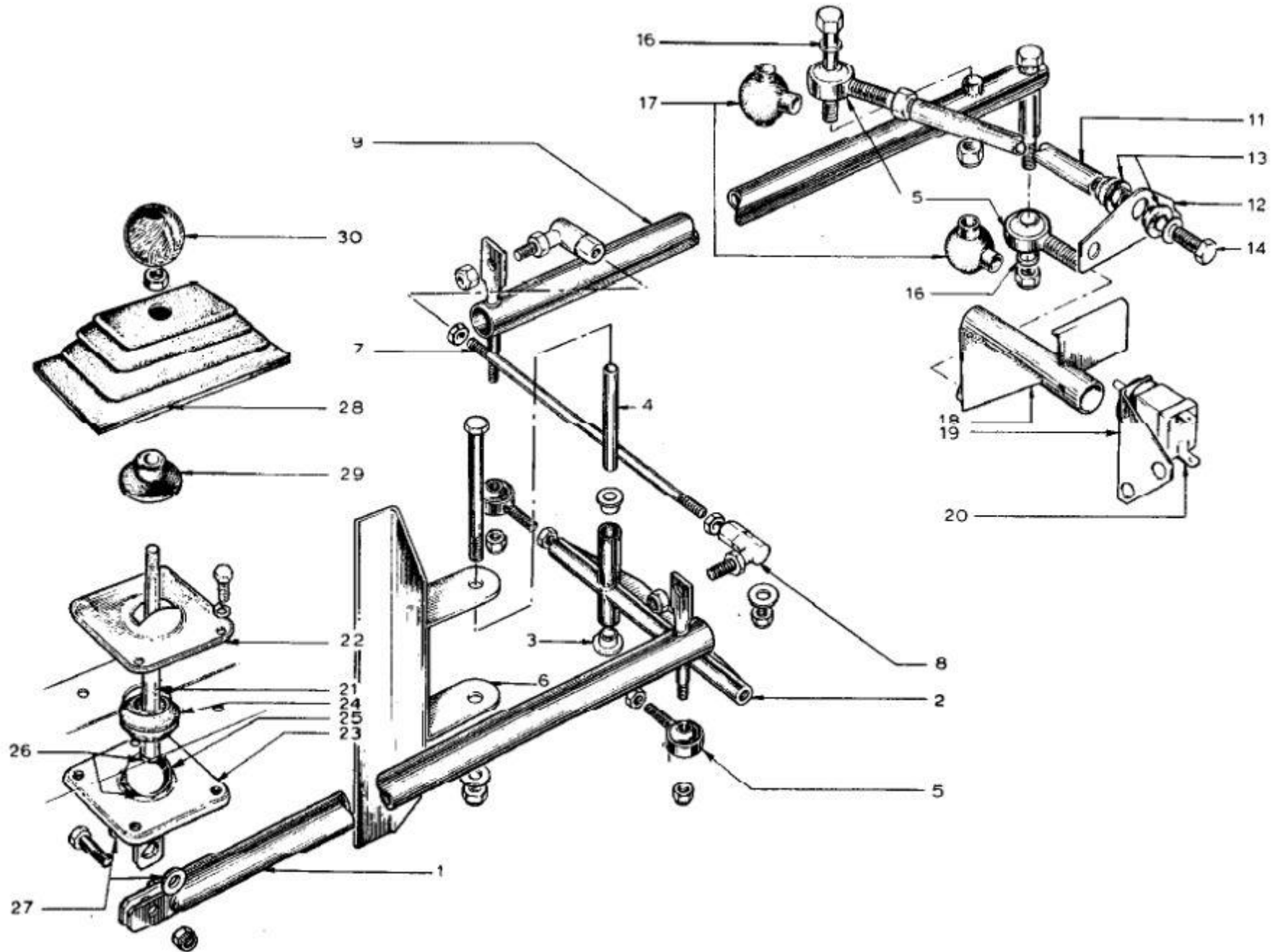


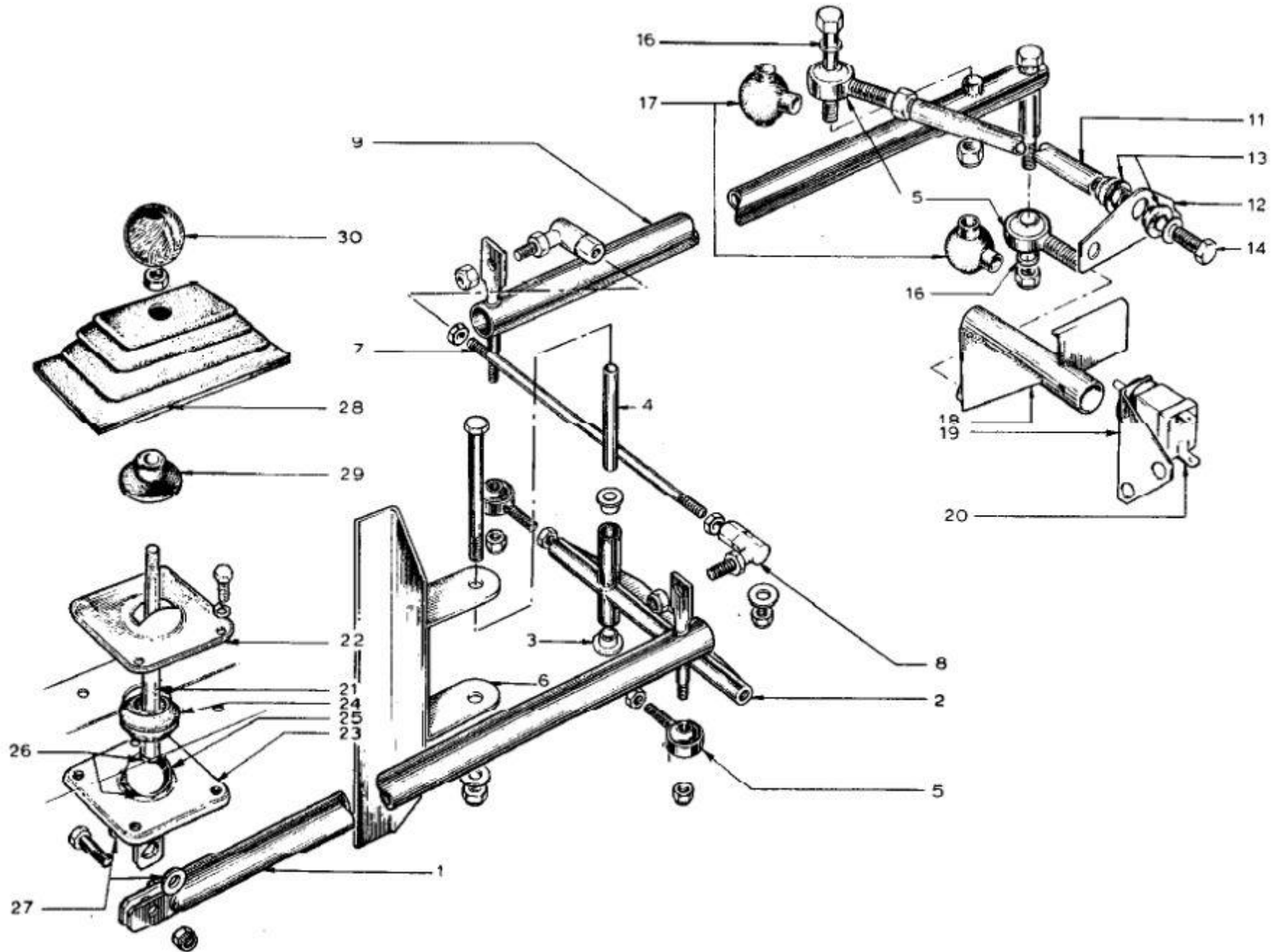
FG



Lotus Europa S1/S2 Parts Manual - Section FG - Transmission - Shift Linkage (Early) - Page 2

Item	Lotus #	S1	S1A/B	S2	S2 Fed	TC	TC Fed	TCS	TCS F	LHD	RHD	Description	Change Point Notes Bulletin Reference
1	046F0123	1	1									Longitudinal Link - Front	
1	054F0123			1	1							Longitudinal Link - Front	
2	046F0127	1	1	1	1							Relay Lever	
3	046F6163	2	2	2	2							Bush - Relay Lever	
4	0540151 (W027) ?	1	1	1	1							Swivel Tube - Relay Lever	
5	046F6161											Replaced by A046F6161	Up to Chassis No. 2339 SB - Service III 1969/35
5	A046F6161	4	4	4	4							Ball Joint	From Chassis No. 2340
5	AUFN050H	2	2	2	2							Nut - Ball Joint to Relay lever	
5	YUFN040F	2	2	2	2							Nut - Ball Joint to Link	
5	A04W0803	2	2	2	2							Washer - Ball Joint to Link	
6	046F0128	1	1									Bracket - Relay Lever Mounting	
6	054F0123			1	1							Bracket - Relay Lever Mounting	
6	XUFB0456			1	1							Bolt - Relay Lever to Mounting Bracket	3 1/2" long, 7/8" thread length, 1/4" x 28 TPI, 7/16" head
6	A04W0803			1	1							Washer - Relay Lever to Mounting Bracket	
6	YUFN040F			1	1							Nut - Relay Lever to Mounting Bracket	
6	W0050	2	2									Bush - Bracket to Engine	
6	XMMB0750	2	2									Bolt - Bracket to Engine	
6	A04W0905	2	2									Washer - Bracket to Engine	1/32" thick, 1/2" OD, 1/4" ID
7	046F0126	1	1									Link - Transverse	
7	A046F0126			1	1							Link - Transverse	
8	046F6160											Replaced by A046F6160	Up to Chassis No. 0344
8	A046F6160	2	2	2	2							Ball joint - Transverse Link	From Chassis No. 0345
8	AUFN040H	2	2	2	2							Nut - Ball Joints to Transverse Link	
8	YUFN050F	2	2	2	2							Nut - Ball Joints to Longitudinal Links	
9	046F0124	1	1									Longitudinal Link - Rear	
9	054F0124			1	1							Longitudinal Link - Rear	
9	046F6159	1	1									Bush - Longitudinal Link	
11	054F0144			1	1							Location Link	
12	054F0146			1	1							Reaction Plate	
13	054F6003			1	1							Gromet - Reaction Plate to Location Link	
13	A05W1007			1	1							Washer - Reaction Plate to Location Link	1/16" thick, 5/8" OD and 9/32" ID

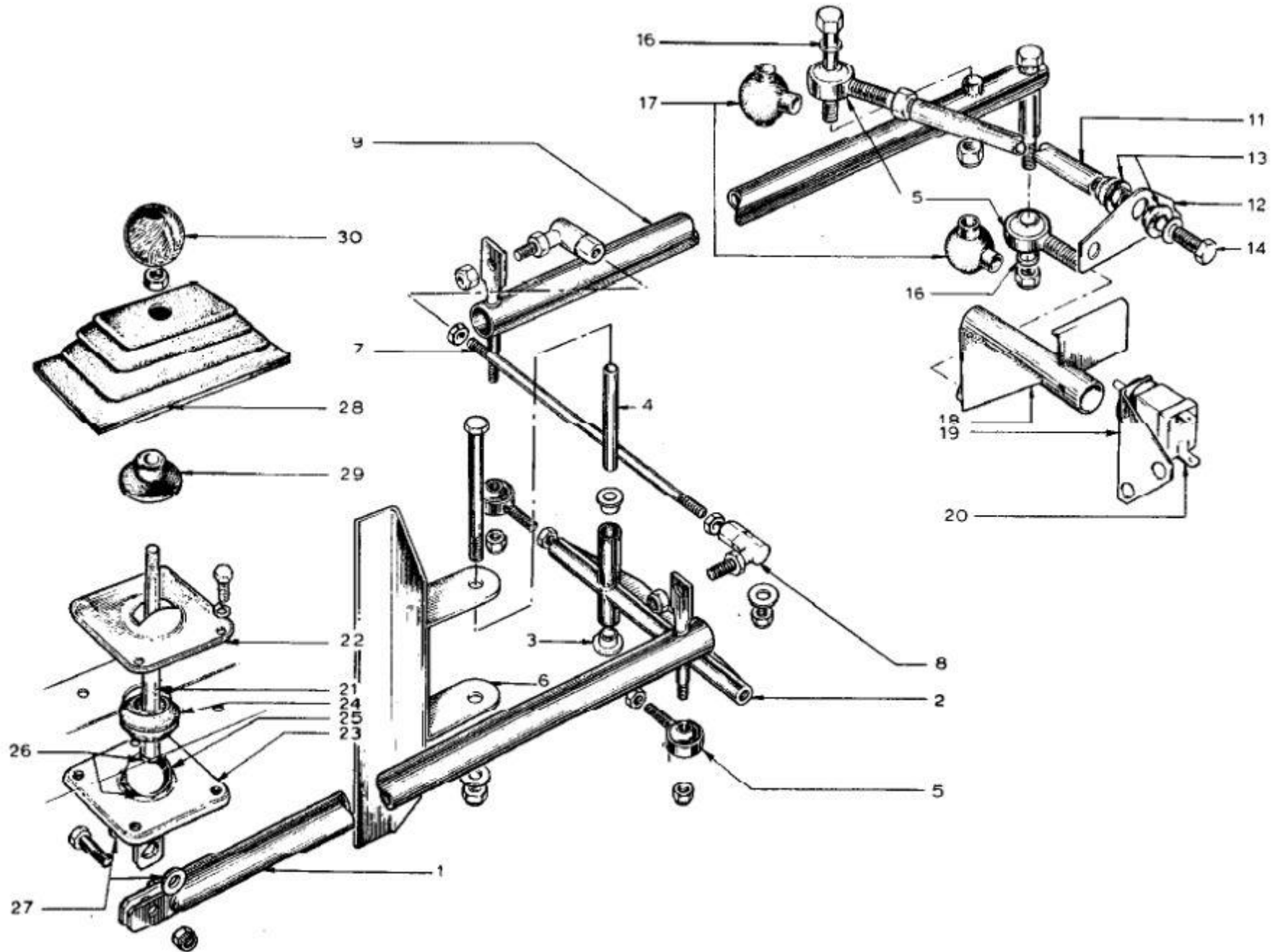
FG



Lotus Europa S1/S2 Parts Manual - Section FG - Transmission - Shift Linkage (Early) - Page 4

Item	Lotus #	S1	S1A/B	S2	S2 Fed	TC	TC Fed	TCS	TCS F	LHD	RHD	Description	Change Point Notes Bulletin Reference
14	XUFB0520			1	1							Bolt - Reaction Plate to Location Link	1 7/32" shaft, 15/16 thread length, 5/16" x 24 TPI threads
16	054F0145			2	2							Spacer	
17	054F600D			2	2							Dust Seal	
17	XUFB0536 ?			1	1							Bolt - Location Link to Longitudinal Link	1/2" head, 2 7/32" long, 15/16" threads, 9/32" OD shaft
17	A05W1007			1	1							Washer - Location Link to Longitudinal Link	1/16" thick, 5/8" OD and 9/32" ID
17	YUFN050F			1	1							Nut - Location Link to Longitudinal Link	
17	LUFN050H			1	1							Nut - Ball Joint to Location Link	
17	054F6155	1	1									Actuator with brush	
18	054F0121			1	1							Actuator	
18	LUFN050H			1	1							Nut - Ball Joint to Actuator	
18	XUFB0548			1	1							Bolt - Rear Longitudinal Link to Actuator	
18	A05W1007			1	1							Washer - Rear Longitudinal Link to Actuator	1/16" thick, 5/8" OD and 9/32" ID
18	XUFN050F			1	1							Nut - Rear Longitudinal Link to Actuator	
18	XUFB0524			1	1							Bolt - Reaction Plate to Gearbox	
18	XUFB0528			1	1							Bolt - Reaction Plate to Gearbox	
18	A05W1007			1	1							Washer - Reaction Plate to Gearbox	1/16" thick, 5/8" OD and 9/32" ID
18	YUFN050F			2	2							Nut - Reaction Plate to Gearbox	
18	XMMB0630			1	1							Bolt 6 x 30 mm. - Actuator to Selector Shaft	
18	LMMN060F			1	1							Nut - Actuator to Selector Shaft	
18	04W0803			1	1							Washer - Actuator to Selector Shaft	
19	054F0141			1	1							Mounting Bracket - Reverse Lamp Switch	
20	054M6000			1	1							Switch - Reverse Lamps	
20	A065M6000			1	1							Switch - Reverse Lamps	
21	046F0001	1	1	1	1							Gear Lever	
22	046F0131	1	1	1	1							Mounting Plate Upper	
23	046F0132	1	1	1	1							Mounting Plate Lower	
23	046F0139	2	2	2	2							Spacer	
24	046F6148	1	1	1	1							Ball Joint - Outer	
25	046F6147											Replaced by 046F6113	

FG



Lotus Europa S1/S2 Parts Manual - Section FG - Transmission - Shift Linkage (Early) - Page 6

Item	Lotus #	S1	S1A/B	S2	S2 Fed	TC	TC Fed	TCS	TCS F	LHD	RHD	Description	Change Point Notes Bulletin Reference
25	046F6113	1	1	1	1							Ball Joint - Inner	
26	054F6004	2	2	2	2							Circlip - Ball to Lever	
27	046F6153	2	2	2	2							Bush - Gear Lever to Front Longitudinal Link	
27	XUFB0413	1	1	1	1							Bolt - Gear Lever to Front Longitudinal Link	
27	YUFN040F	1	1	1	1							Nut - Gear Lever to Front Longitudinal Link	
27	XUFS0310	4	4	4	4							Screw - Mounting Plate Fixing	
27	S03W0000	4	4	4	4							Washer - Mounting Plate Fixing	
28	036F6000	1	1									Gromet - Gear Lever	
28	050F6000			1	1							Gromet - Gear Lever	
29	A036B6186			1	1							Gromet	
30	046F6178	1	1									Knob - Gear Lever	
30	050F0002			1								Knob - Gear Lever	
30	054F0002				1							Knob - Gear Lever	
30	LUFN050H			1	1							Lock Nut	
30	046B1038	1	1									Mounting Plate - Gear Lever Gromet	