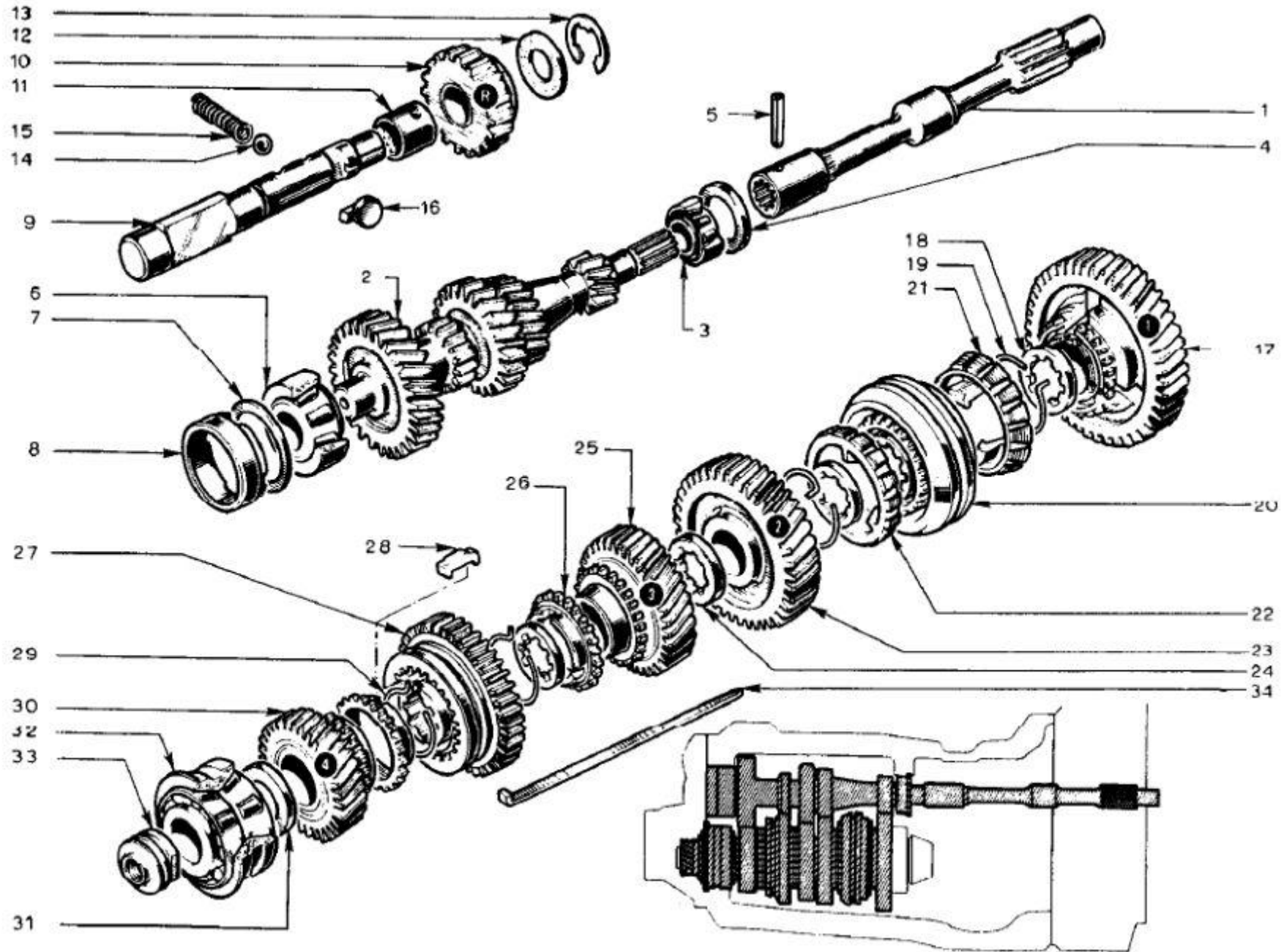


Lotus Europa S1/S2 Parts Manual - Section FD - Transmission - Gear Set - Page 2

Item	Lotus #	S1	S1A/B	S2	S2 Fed	TC	TC Fed	TCS	TCS F	LHD	RHD	Description	Change Point Notes Bulletin Reference
1	046F6050	1	1	1	1							Drive Shaft	
2	046F6034	1	1	1	1							Primary Shaft (Type 336-08 - 336-26 & 336-46)	
2	A046F6034	1	1	1	1							Primary Shaft (Type 336-56)	
3	046F6051	1	1	1	1							Bearing - Primary Shaft	
4	046F6082											Shim 2.00 mm. - Optional (As Required)	
4	046F6083											Shim 2.25 mm. - Optional (As Required)	
4	046F6084											Shim 2.50 mm. - Optional (As Required)	
4	046F6085											Shim 2.75 mm. - Optional (As Required)	
4	046F6086											Shim 3.00 mm. - Optional (As Required)	
4	046F6087											Shim 3.25 mm. - Optional (As Required)	
4	046F6088											Shim 3.50 mm. - Optional (As Required)	
4	046F6089											Shim 3.75 mm. - Optional (As Required)	
4	046F6090											Shim 4.00 mm. - Optional (As Required)	
5	046F6033	1	1	1	1							Tension Pin	
6	046F6035	1	1	1	1							Bearing - Primary Shaft	
7	046F6077											Shim 0.10 mm. - Optional (As Required)	
7	046F6078											Shim 0.20 mm. - Optional (As Required)	
7	046F6079											Shim 0.25 mm. - Optional (As Required)	
7	046F6080											Shim 0.50 mm. - Optional (As Required)	
7	046F6081											Shim 1.00 mm. - Optional (As Required)	
8	046F6036	1	1	1	1							Retaining Ring	
9	046F6031	1	1	1	1							Shaft - Reverse Gear (Type 336-08 - 336-26 - & 336-46)	
9	A046F6031	1	1	1	1							Shaft - Reverse Gear (Type 336-56)	
10	046F6027	1	1	1	1							Reverse Gear	
11	046F6028	1	1	1	1							Bush - Reverse Gear	
12	046F6026	1	1	1	1							Thrust Washer	
13	046F6025	1	1	1	1							Circlip	
14	046F6030	1	1	1								Selector Ball - 8 mm. - Reverse Gear Shaft (Type 336-08 - 336-26 & 336-46)	
14	A046F6028			1	1							Selector Ball - 10 mm. - Reverse Gear Shaft (Type 336-56)	
15	046F6029	1	1	1								Selector Spring (Type 336-08 - 336-26 & 336-46)	
15	A046F6028			1	1							Selector Spring (Type 336-56)	



Lotus Europa S1/S2 Parts Manual - Section FD - Transmission - Gear Set - Page 4

Item	Lotus #	S1	S1A/B	S2	S2 Fed	TC	TC Fed	TCS	TCS F	LHD	RHD	Description	Change Point Notes Bulletin Reference
16	046F6032	1	1	1								Guide (Type 336-08 - 336-26 & 336-46)	
16	A046F6032			1	1							Guide (Type 336-56)	
17	046F6053	1	1	1								Gear - 1st. Speed	Up to Engine No. ?
17	A046F6053			1	1							Gear - 1st. Speed	Up to Engine No. ?
18	046F6038	3	3	3	3							Thrust Washer	
19	046F6052	2	2	2	2							Spring Clip - Synchroiser - 1st. & 2nd. Speed	
20	046F6056	1	1	1	1							Synchroiser Hub - (Yellow) (Type 336-08 - 336-26 & 336-46)	
20	046F6058	1	1	1	1							Synchroiser Hub - (Yellow) (Type 336-56)	
20	046F6057	1	1	1	1							Synchroiser Hub - (Blue) (Type 336-08 - 336-26 & 336-46)	
20	046F6059	1	1	1	1							Synchroiser Hub - (Blue) (Type 336-56)	
21	046F6054	1	1	1	1							Synchroiser Ring - 1st. Speed	
22	046F6060	1	1	1	1							Synchroiser Ring - 2nd. Speed	
23	046F6061	1	1	1	1							Gear - 2nd. Speed (Type 336-08 & 336-26)	
23	A046F6061	1	1	1	1							Gear - 2nd. Speed (Type 336-46)	
23	B046F6061	1	1	1	1							Gear - 2nd. Speed - 43 Teeth (Type 336-56)	
24	046F6062	1	1	1	1							Thrust Washer	
25	046F6037	1	1	1	1							Gear - 3rd. Speed	
26	046F6046	2	2	2	2							Synchroniser Ring - 3rd. & 4th. Speed	
27	046F6042	1	1	1	1							Synchroniser - 3rd. & 4th. Speed (Yellow)	
27	046F6043	1	1	1	1							Synchroniser - 3rd. & 4th. Speed (Blue)	
28	046F6039	3	3	3	3							Keys - 3rd. & 4th. Speed Synchroniser	
29	046F6040	2	2	2	2							Spring Clip - 3rd. & 4th. Speed Synchroniser	Up to Chassis No. ?
29	A046F6040	2	2	2	2							Spring Clip - 3rd. & 4th. Speed Synchroniser	From Chassis No. ?
30	046F6047	1	1	1	1							Gear - 4th. Speed	
31	046F6064											Shim 3.50 mm. (Optional - As Required)	
31	046F6065											Shim 3.55 mm. (Optional - As Required)	
31	046F6066											Shim 3.60 mm. (Optional - As Required)	
31	046F6067											Shim 3.65 mm. (Optional - As Required)	
31	046F6068											Shim 3.70 mm. (Optional - As Required)	
31	046F6069											Shim 3.75 mm. (Optional - As Required)	
31	046F6070											Shim 3.80 mm. (Optional - As Required)	
31	046F6071											Shim 3.85 mm. (Optional - As Required)	

FD

