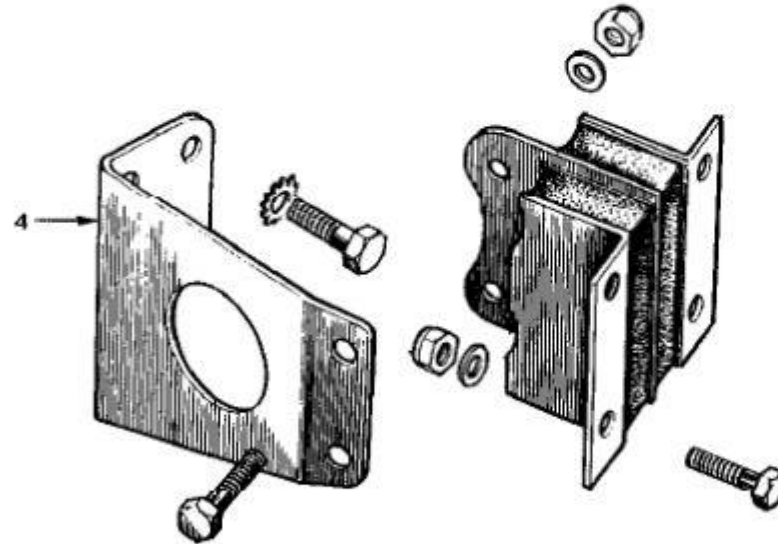
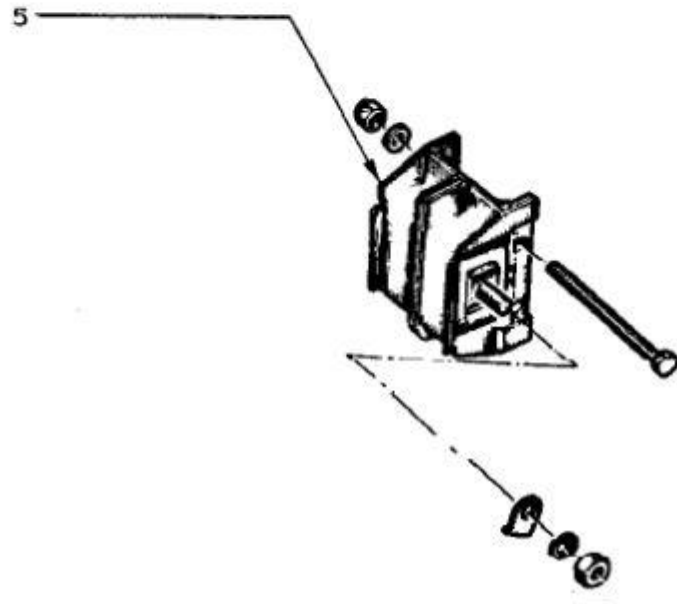
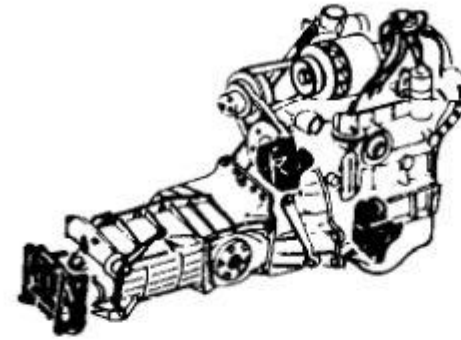
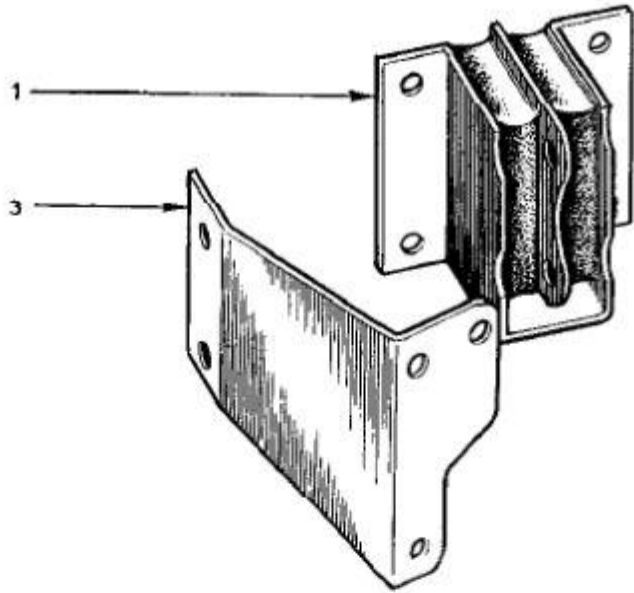


ET



Lotus Europa S1/S2 Parts Manual - Section ET - Engine - Engine Mounting - Page 2

Item	Lotus #	S1	S1A/B	S2	S2 Fed	TC	TC Fed	TCS	TCS F	LHD	RHD	Description	Change Point Notes Bulletin Reference
1	026E0374	2	2	2	2							Engine Mounting - replaced by 054E6000	SB - Service III 1969/27
1	054E6000	2	2	2	2							Engine mounting	
1	XUFS0612	4	4	4	4							Bolt - Engine mounting to bracket	
1	YUFN060F	4	4	4	4							Nut - Engine mounting to bracket	
1	A06W1207	4	4	4	4							Washer - Engine mounting to bracket	
1	XUFS0512	8	8	8	8							Bolt - Engine mounting to chassis	3/4" long, all thread, 5/16" x 24 TPI, 1/2" head
1	YUFN050F	8	8	8	8							Nut - Engine mounting to chassis	
1	A05W1007	8	8	8	8							Washer - Engine mounting to chassis	1/16" thick, 5/8" OD and 9/32" ID
3	046E0377	1	1	1	1							Mounting Bracket LH	
4	046E0378	1	1	1	1							Mounting Bracket RH	
4	046E6460	4	4	4	4							Bolt - Upper 8 x 25 mm. - Mounting bracket to engine	
4	046E6461	2	2	2	2							Bolt - Lower 10 x 30 mm. - Mounting bracket to engine	
4	A046W6114	4	4	4	4							Washer - 8 mm. - Mounting bracket to engine	
4	046E6456	2	2	2	2							Washer - 10 mm. - Mounting bracket to engine	
5	046F6146	1	1	1								Gear Box Mounting (697-04)	From Eng. No. ?
5	046F6195	1	1	1								Gear Box Mounting (697-04)	From Eng. No. ?
5	046F6195				1							Gear Box Mounting (821-30)	From Eng. No. 001
5	046E6462	2	2	2	2							Bolt - 8 x 100 mm. - gear box mounting to gear box	
5	A046W6105	2	2	2	2							Nut - 8 x 100 mm. - gear box mounting to gear box	
5	A046W6002	2	2	2	2							Washer - 8 x 100 mm. - gear box mounting to gear box	