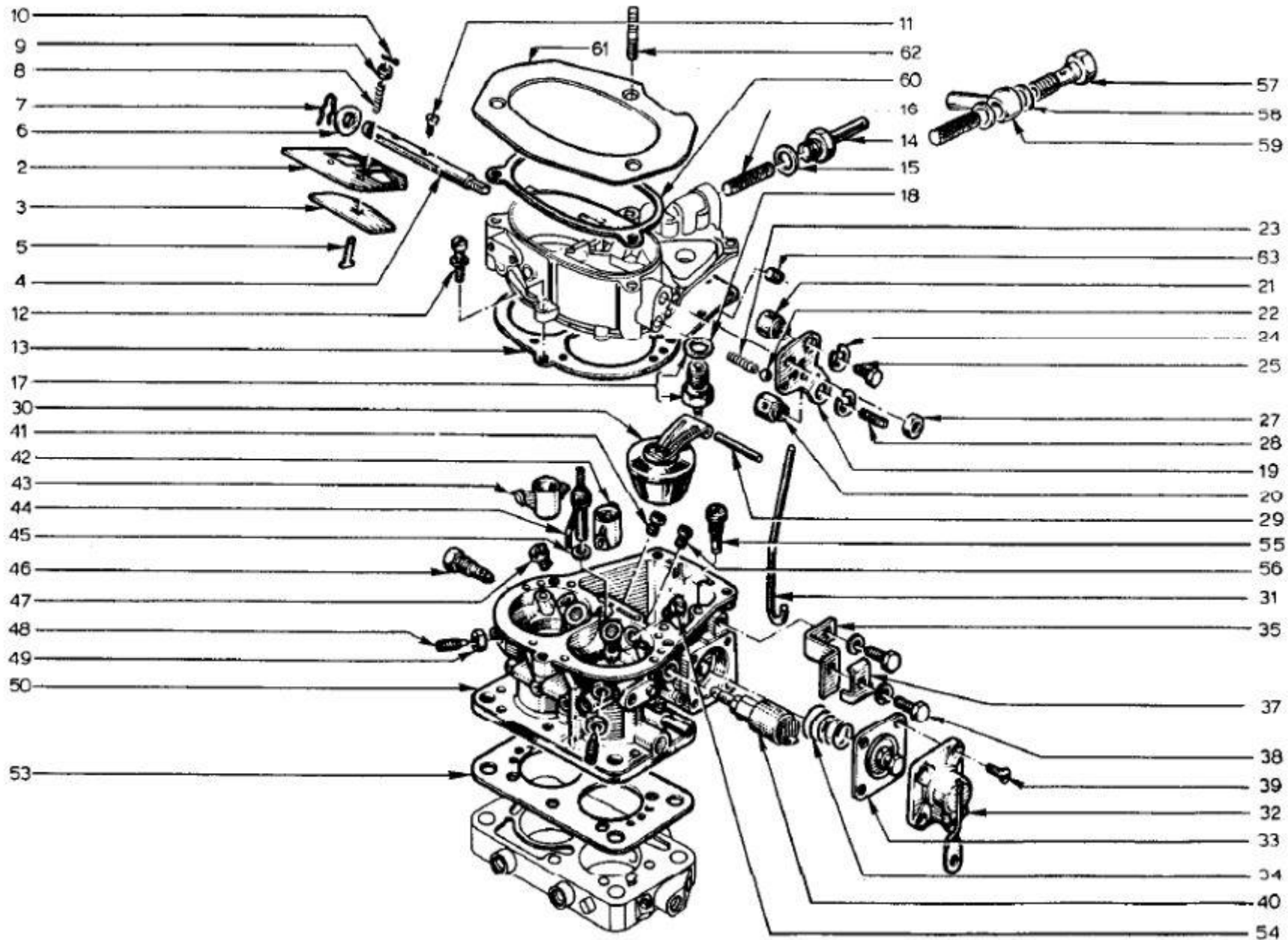


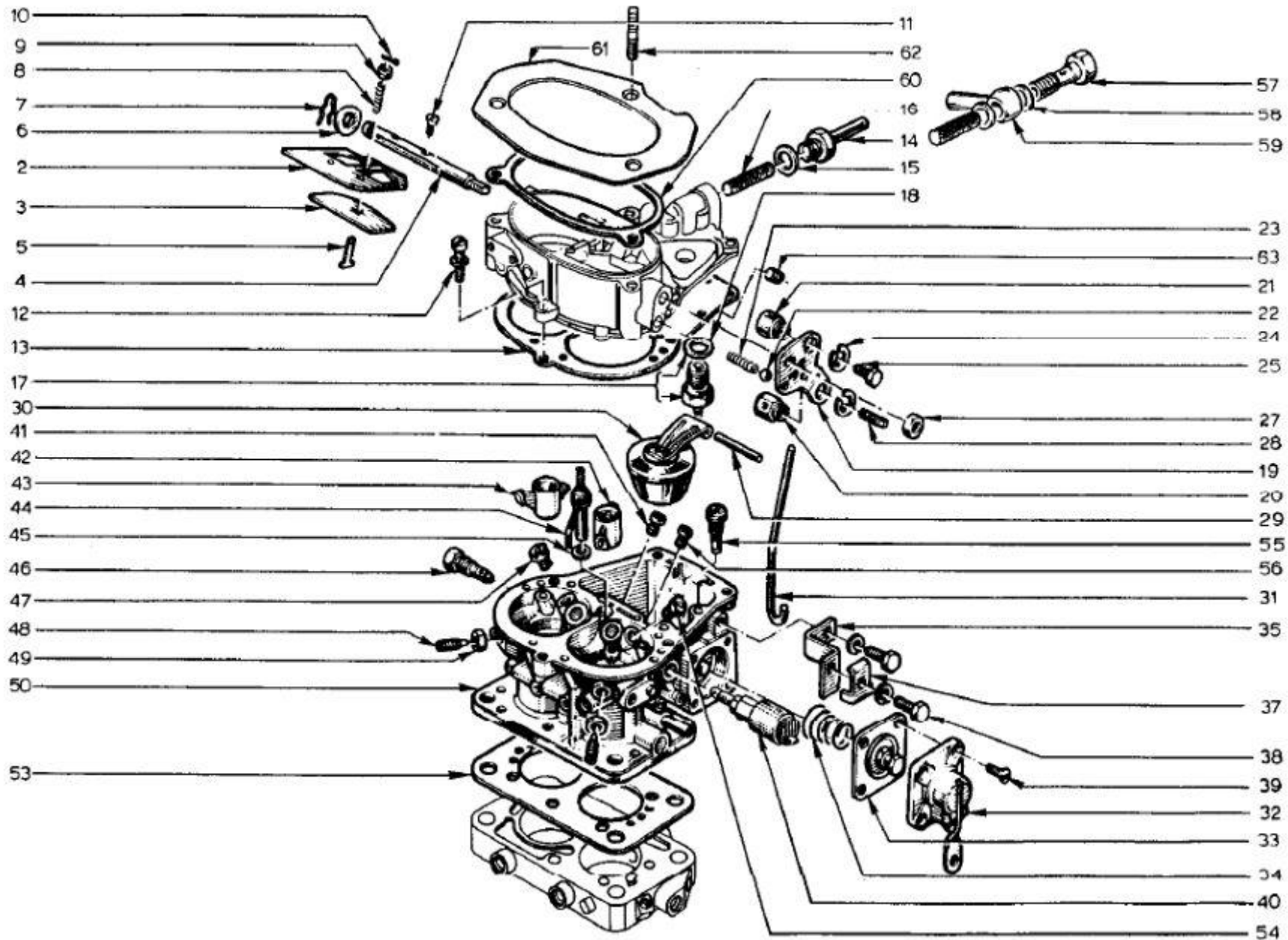
EJ



Lotus Europa S1/S2 Parts Manual - Section EJ - Engine - Carburetor Parts Section 1 - Page 2

Item	Lotus #	S1	S1A/B	S2	S2 Fed	TC	TC Fed	TCS	TCS F	LHD	RHD	Description	Change Point Notes Bulletin Reference
2	046E6170	1	1									Choke Flap	
3	046E6171	1										Choke By-pass Flap	Up to Eng. No. 0250 excluding 207 - 219 - 242 - 245 - 249
3	A046E6480	1	1	1	1							Choke By-pass Flap	From Eng. No. 0251 including 207 - 219 - 242 - 245 - 249
4	046E6173	1	1									Choke Shaft	
5	046E6172	1										Choke By-pass Shaft	Up to Eng. No. 0250 excluding 207 - 219 - 242 - 245 - 249
5	046E6461 ?	1	1	1	1							Choke By-pass Shaft	From Eng. No. 0251 including 207 - 219 - 242 - 245 - 249
6	046E6169	1	1									Choke Shaft Washer	
7	046E6168	1	1									Choke Shaft Retaining Clip	
8	046E6167	1										Choke By-pass Flap Spring	Up to Eng. No. 0250 excluding 207 - 219 - 242 - 245 - 249
8	046E6412	1	1	1	1							Choke By-pass Flap Spring	From Eng. No. 0251 including 207 - 219 - 242 - 245 - 249
9	046E6166	1										Choke By-pass Flap Nut	Up to Eng. No. 0250 excluding 207 - 219 - 242 - 245 - 249
9	046E6411	1	1	1	1							Choke By-pass Flap Nut	From Eng. No. 0251 including 207 - 219 - 242 - 245 - 249
10	046E6165	1	1	1	1							Choke By-pass Flap Split Pin	
11	046E6189	1	1	1	1							Flap to Shaft Screw	
12	046E6414	1	1	1	1							Cover to Body Screw	
13	046E6175	1										Carburettor Cover Gasket	Up to Eng. No. 0250 excluding 207 - 219 - 242 - 245 - 249
13	A046E6485	1	1	1	1							Carburettor Cover Gasket	From Eng. No. 0251 including 207 - 219 - 242 - 245 - 249
13	A046W6027	5	5	5	5							Cover to Main Body Spring Washer	
13	A046E6482	5	5	5	5							Cover to Main Body Washer	
14	046E6193	1	1	1								Fuel Inlet Connector (697-04)	
15	046E6194	1	1	1								Fuel Inlet Washer (697-04)	
16	046E6192	1	1	1	1							Fuel Inlet Gauze	
17	046E6176	1	1	1	1							1.7 mm Needle Valve	
18	046E6195	1	1	1	1							Needle Valve Washer	

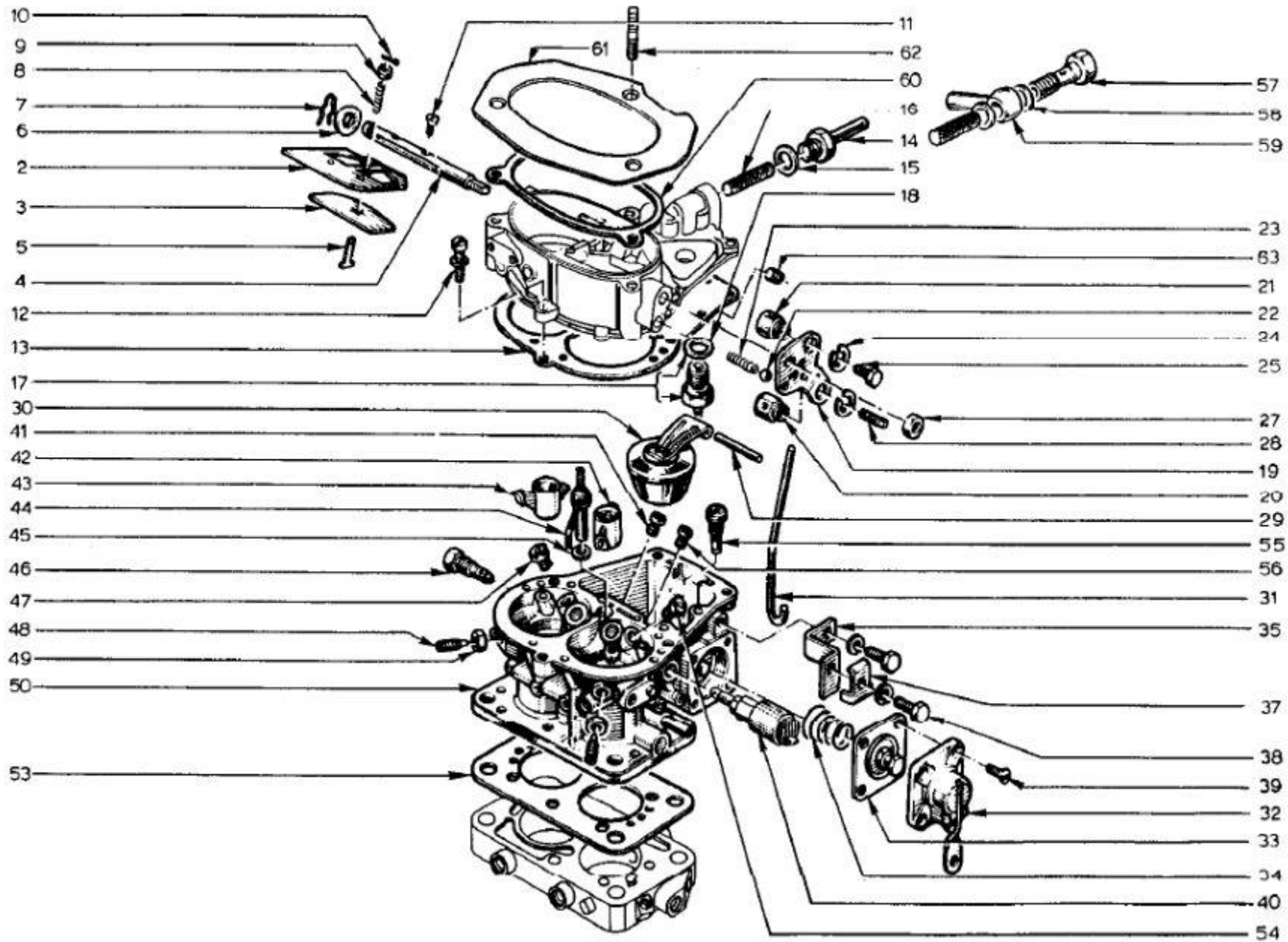
EJ



Lotus Europa S1/S2 Parts Manual - Section EJ - Engine - Carburetor Parts Section 1 - Page 4

Item	Lotus #	S1	S1A/B	S2	S2 Fed	TC	TC Fed	TCS	TCS F	LHD	RHD	Description	Change Point Notes Bulletin Reference
19	046E6215	1	1									Choke Control Lever	Up to Eng. No. 0250 excluding 207 - 219 - 242 - 245 - 249
19	046E6483	1	1									Choke Control Lever	From Eng. No. 0251 to 0391 including 207 - 219 - 242 - 245 - 249
19	046E6419		1	1	1							Choke Control Lever	From Eng. No. 0392
20	046E6216	1	1	1	1							Choke Cable Mounting Bush	
21	046E6198	1	1	1	1							Link to Lever Mounting Bush	
22	046E6199	1	1	1	1							Choke Control Lever Ball	
23	046E6196	1	1	1	1							Choke Lever Ball Pressure Spring	
24	046E6211	2	2	2	2							Circlip	
25	046E6212	1	1	1	1							Choke Operating Link Clamping Screw	
27	046E6213	1	1	1	1							Choke Lever to Shaft Nut	
28	046E6214	1	1	1	1							Choke Cable to Bush Clamping Screw	
29	046E6217	1	1	1	1							Float Shaft	
30	046E6177	1	1	1	1							7.3 gr. Float	
31	046E6220	1	1									Choke Operating Link	Up to Eng. No. 0391
31	046E6420		1	1	1							Choke Operating Link	From Eng. No. 0392
32	046E6225	1	1	1	1							Accelerator Pump Cover	
33	046E6226	1	1	1	1							Accelerator Pump Diaphragm	
34	046E6227	1	1	1	1							Accelerator Pump Spring	
35	046E6221	1	1									Choke Cable Bracket	Up to Eng. No. 0391
35	046E6421		1	1	1							Choke Cable Bracket	From Eng. No. 0392
37	046E6223	1	1	1	1							Choke Cable Bracket	
38	046E6222	2	2	2	2							Choke Cable Mounting Bracket Bolt	
39	046E6224	1	1	1	1							Accelerator Pump Cover Screw	
40	046E6416	1	1	1								Idle Jet - 50 with electric cutout - (697-04)	From Eng. No. 0392
40	A054E6037				1							Idle Jet - 50 with electric cutout - (821-30)	
41	046E6178	1	1	1								Jet - 140 (697-04)	
41	A054E6036				1							Jet - 142.5 (821-30)	
42	046E6406	1	1	1								Emulsion block - 2.8 (697-04)	
42	046E6406	1	1	1								Emulsion block - 2.8 (697-04)	
42	054E6032				1							Emulsion block - 2.8 (821-30)	
43	046E6407	1	1	1	1							Emulsion block - 3.2	

EJ



Lotus Europa S1/S2 Parts Manual - Section EJ - Engine - Carburetor Parts Section 1 - Page 6

Item	Lotus #	S1	S1A/B	S2	S2 Fed	TC	TC Fed	TCS	TCS F	LHD	RHD	Description	Change Point Notes Bulletin Reference
44	046E6181	1	1	1	1							Injection Tube - 40	
45	046E6182	1	1	1	1							Carburettor Gasket - Injection tube	
46	046E6183	2	2	2								Idle Jet - 50 (697-04)	Up To Eng. No. 0391
46	046E6183	1	1	1								Idle Jet - 50 (697-04)	From Eng. No. 0392
46	A054E6034				1							Idle Jet - 95 (821-30)	
47	046E6184	1	1	1								Jet - 150 (697-04)	
47	A054E6033				1							Jet - 125 (821-30)	
48	046E6185	2	2									Retaining Screw - Emulsion block	Up to Eng. No. 0250 excluding 207 - 219 - 242 - 245 - 249
49	046E6186	2	2									Lock Nut - Emulsion block	Up to Eng. No. 0250 excluding 207 - 219 - 242 - 245 - 249
50	046E6187	1	1									Body (697-04)	Up to Eng. No. 0250 excluding 207 - 219 - 242 - 245 - 249
50	A046E6484		1	1	1							Body	From Eng. No. 0251 including 207 - 219 - 242 - 245 - 249
53	046E6188	1	1	1	1							Carburettor Gasket - Main body to throttle block	
54	046E6228	1	1	1								Jet - 135 (697-04)	
54	A054E6033				1							Jet - 125 (821-30)	
55	046E6218	1	1	1	1							Jet	
56	046E6219	1	1	1								Jet - 145 (697-04)	
56	A054E6035				1							Jet - 130 (821039)	
57	A054E6067				1							Banjo bolt (821-30)	
58	046E6256				1							Washer (821-30)	
59	A054E6068				1							Banjo (821-30)	
60	046E6191	1	1	1	1							Carburettor Gasket - mounting plate	
61	046E6417	1	1	1	1							Mounting plate	From Eng. No. 0251 including 207 - 219 - 242 - 245 - 249
62	A046W6013	3	3	3	3							Stud - Air filter to carburettor	From Eng. No. 0251 including 207 - 219 - 242 - 245 - 249
63	046E6418	1	1	1	1							Jet - Air correction - 270	From Eng. No. 0251 including 207 - 219 - 242 - 245 - 249