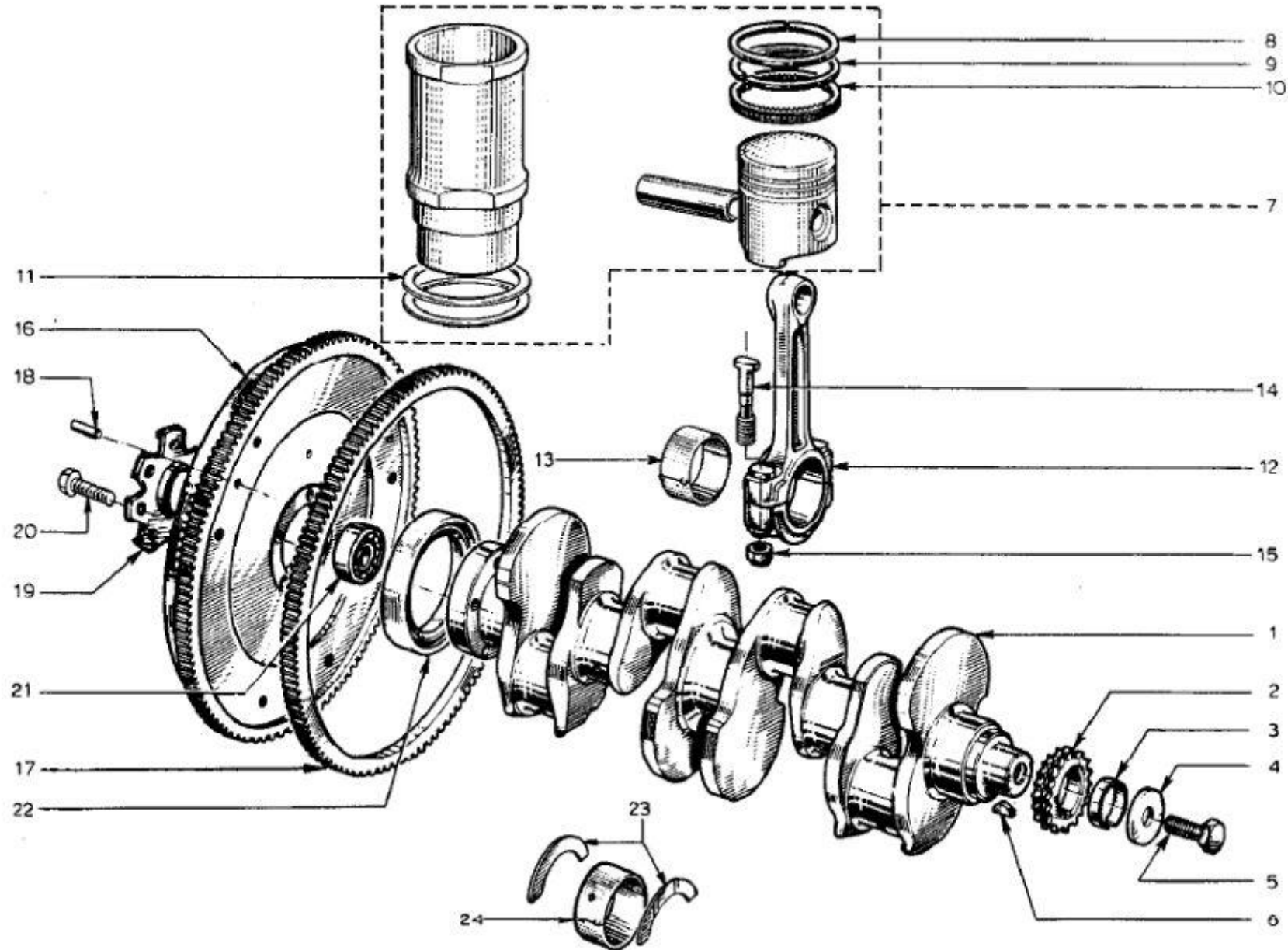


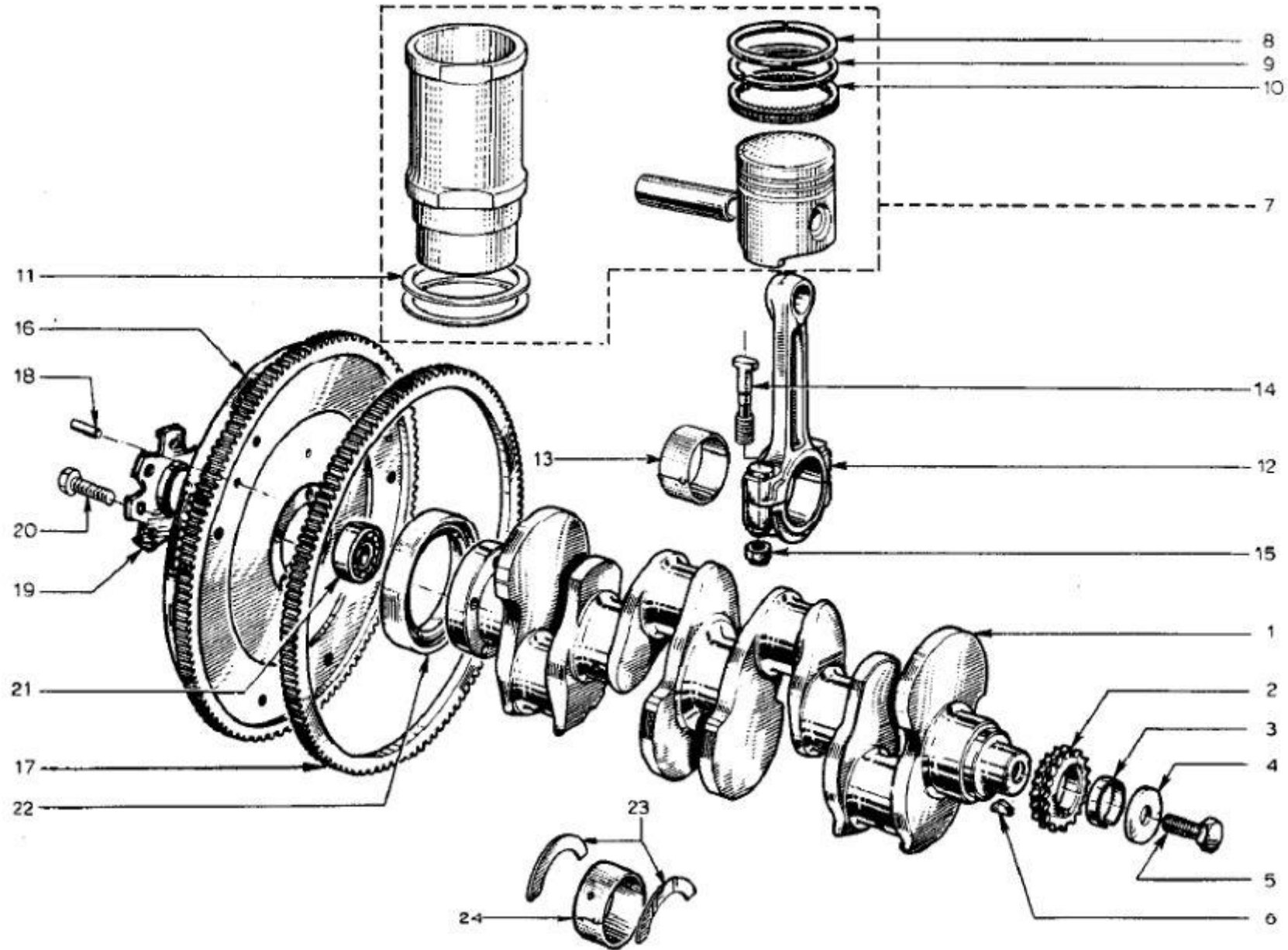
EC



Lotus Europa S1/S2 Parts Manual - Section EC - Engine - Pistons, Rods and Crank - Page 2

Item	Lotus #	S1	S1A/B	S2	S2 Fed	TC	TC Fed	TCS	TCS F	LHD	RHD	Description	Change Point Notes Bulletin Reference
1	046E6388	1	1	1	1							Crankshaft (694-04)	Up to Eng. No. 0066
1	046E6389	1	1	1	1							Crankshaft (694-04)	From Eng. No. 0067
1	A054E6015				1							Crankshaft (821-30)	
2	046E6072	1	1	1	1							Sprocket	Up to Eng. No. 2556 (697-02) 1254 (821-30)
3	046E6073	1	1	1	1							Sprocket Wheel Spacer	Up to Eng. No. 2556 (697-02) 1254 (821-30)
4	046E6074	1	1	1	1							Sprocket Wheel to Crankshaft Washer	Up to Eng. No. 2556 (697-02) 1254 (821-30)
5	A046E6012	1	1	1	1							Sprocket Wheel to Crankshaft Bolt	Up to Eng. No. 2556 (697-02) 1254 (821-30)
6	046E6075	1	1	1	1							Sprocket Wheel to Crankshaft Woodruff Key	From Eng. No. 2556 (697-04) 1255 (821-30)
7	A054E6102	1	1									Piston/Liner Assembly (697-04) Engine Set Only	Up to Eng. No. 0565
7	A054E6103			1								Piston/Liner Assembly (697-04) Engine Set Only	From Eng. No. 0566
7	A054E6104				1							Piston/Liner Assembly (821-30) Engine Set Only	Up to Eng. No. 0866
7	A054E6105				1							Piston/Liner Assembly (821-30) Engine Set Only	From Eng. No. 0867
8	046E6065	4										Top Piston Ring - (697-04)	Up to Eng. No. 0198
8	A054E6063		4	4	4							Top Piston Ring - (697-04)	From Eng. No. 0199 to 1375
8	054E6016				4							Top Piston Ring - (821-30)	
9	046E6066	4	4	4								Centre Piston Ring - (697-04)	
9	054E6017				4							Centre Piston Ring - (821-30)	
10	046E6067	4	4	4								Bottom Piston Ring - (697-04)	
10	054E6018				4							Bottom Piston Ring - (821-30)	
11	046E6200	4	4	4	4							0.07 mm Shim	
11	046E6201	4	4	4	4							0.10 mm Shim	
12	046E6387	4	4	4								Connecting Rod (697-04) 433 grams Blue	Up to Eng. No. 1641
12	A054E6064			4								Connecting Rod (697-04) 433 grams Blue	From Eng. No. 1642
12	054E6064				4							Connecting Rod (821-30) 433 grams Blue	From Eng. No 0001
12	A054E6065			4								Connecting Rod (697-04) 455 grams	From Eng. No. 1642
12	A054E6065				4							Connecting Rod (821-30) 455 grams White	From Eng. No. 0001
13	046E6002	1	1	1	1							Conn. Rod Bearing Shell - (48 mm.) Standard	
13	046E6002A	1	1	1	1							Conn. Rod Bearing Shell - (47.75 mm.) Repair Size	
14	046E6068	8	8	8	8							Connecting Rod Bolt	

EC



Lotus Europa S1/S2 Parts Manual - Section EC - Engine - Pistons, Rods and Crank - Page 4

Item	Lotus #	S1	S1A/B	S2	S2 Fed	TC	TC Fed	TCS	TCS F	LHD	RHD	Description	Change Point Notes Bulletin Reference
15	046E6070	8	8	8	8							Connecting Rod Nut	
16	046E6383	1	1	1	1							Flywheel	From Eng. No. 0066
16	046E6384	1	1	1	1							Flywheel	From Eng. No. 0067 to 0501
16	046E6385	1	1	1	1							Flywheel	From Eng. No. 0502
17	046E6063	1	1	1	1							Flywheel Ring Gear	
18	046E6059	3	3	3	3							Dowel Pin	
19	A046E6061	1	1	1	1							Lock Plate	Up to Eng. No. 0066
19	046E6061	1	1	1	1							Lock Plate	From Eng. No. 0067
20	046E6060	5	5	5	5							Flywheel to Cranksahft Bolt	Up to Eng. No. 0066
20	046E6060	7	7	7	7							Flywheel to Cranksahft Bolt	From Eng. No. 0067
21	046E6386	1	1	1	1							Clutch Spigot Shaft Bearing -	
22	046E6064	1	1	1	1							Crankshaft Seal - (697-04) only - use up old stock	
22	A046E6471	1	1	1	1							Crankshaft Seal	
23	046E6004	1	1	1	1							2.80 mm Thrust Washer - Optional	
23	046E6005	1	1	1	1							2.90 mm Thrust Washer - Optional	
23	046E6006	1	1	1	1							2.95 mm Thrust Washer - Optional	
24	046E6003	1	1	1	1							54.80 mm Main Bearing Set (Standard)	
24	046E6382	1	1	1	1							54.55 mm Main Bearing Set (Repair)	