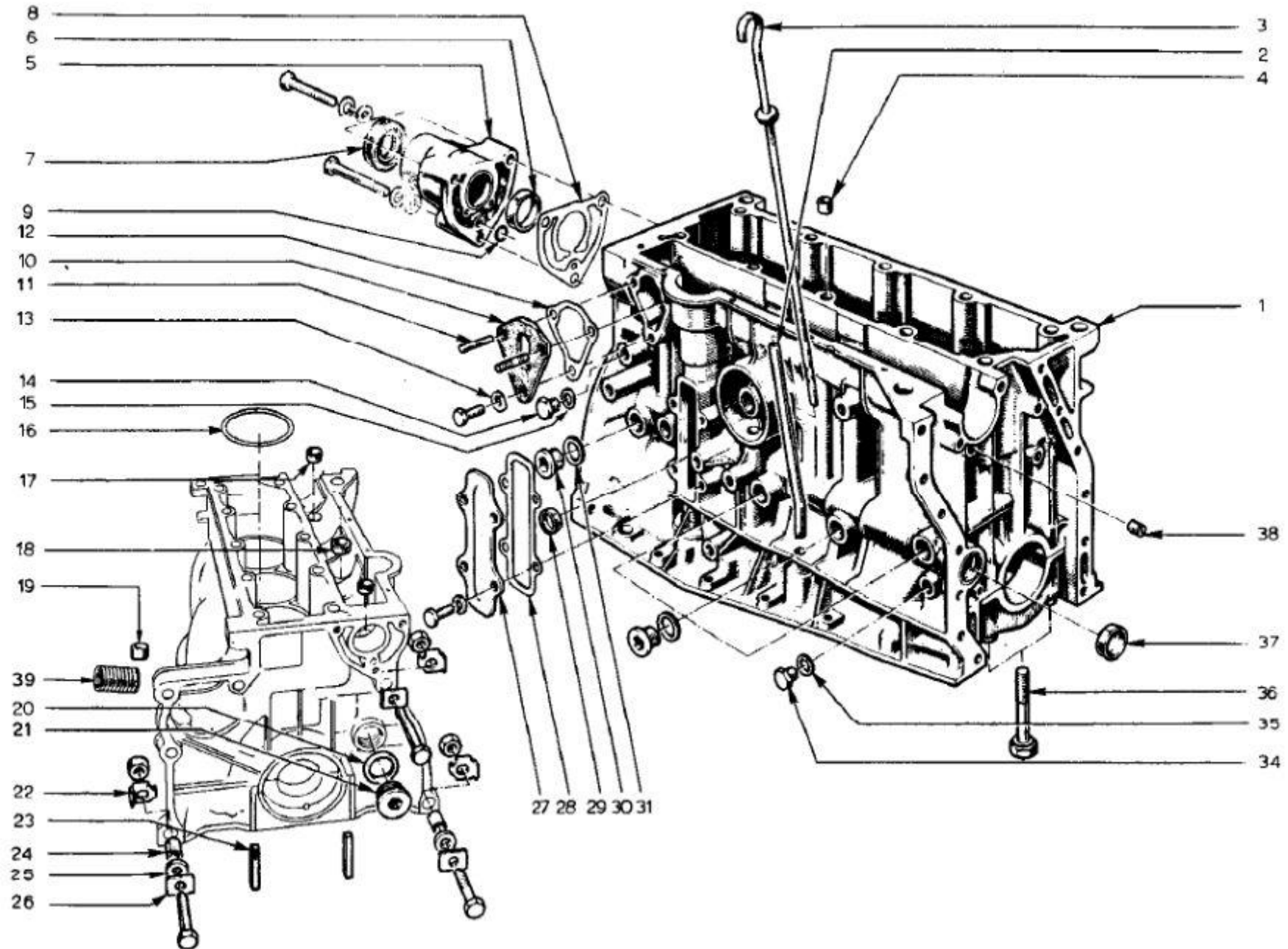


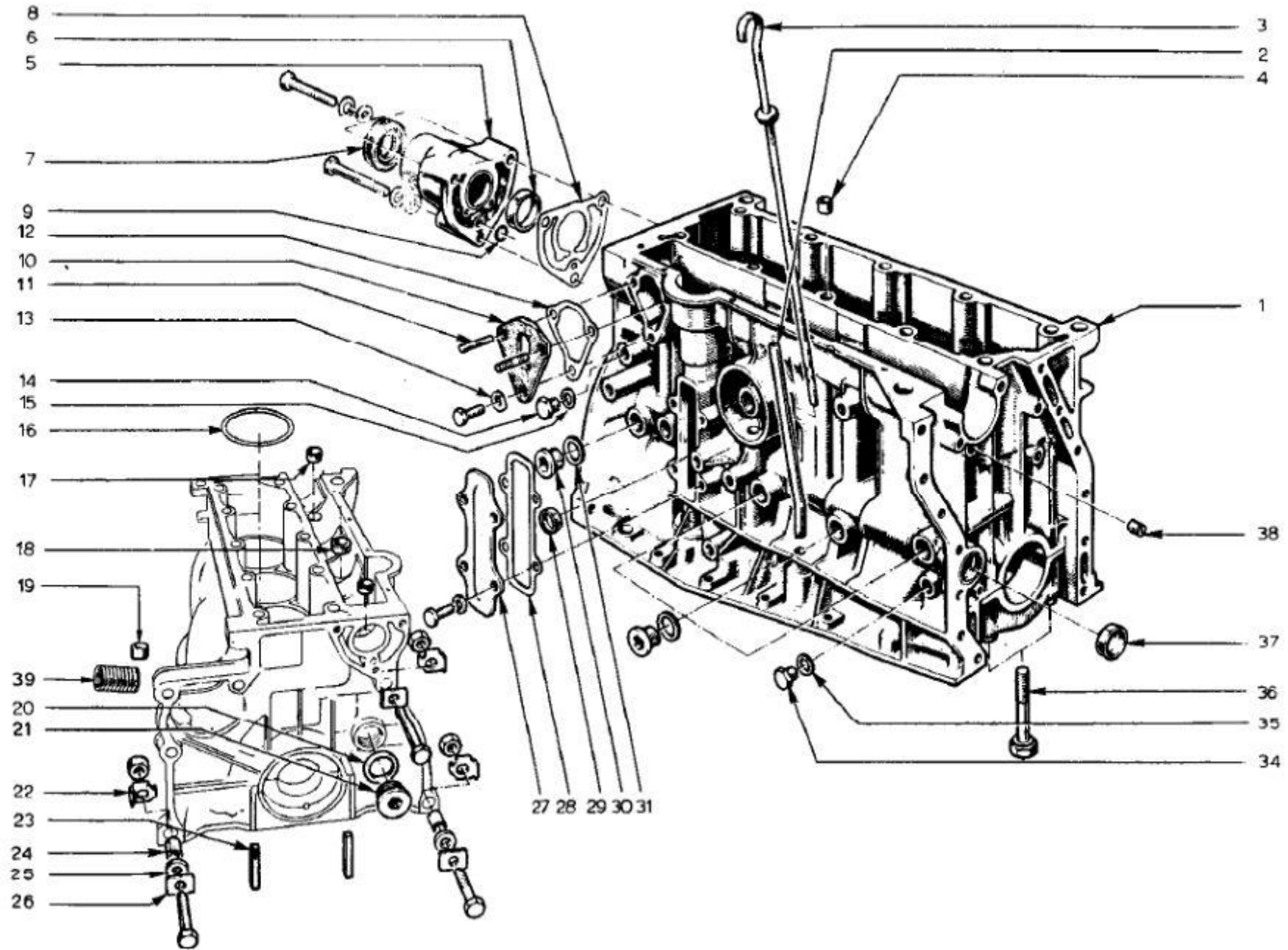
EA



Lotus Europa S1/S2 Parts Manual - Section EA - Engine - Block - Page 2

Item	Lotus #	S1	S1A/B	S2	S2 Fed	TC	TC Fed	TCS	TCS F	LHD	RHD	Description	Change Point Notes Bulletin Reference
1	046E6030	1										Cylinder Block (697-04) Replaced by F046E6376	Up to Eng. No. 0033
1	046E6376	1	1									Cylinder Block (697-04) Replaced by F046E6376	From Eng. No. 0034 to 0565
1	E046E6376		1	1								Cylinder Block (697-04)	Up to Eng. No. 0566 to 0866
1	F046E6373	1	1	1								Cylinder Block (697-04)	From Eng. No. 0867
1	F046E6373				1							Cylinder Block (821-30)	From Eng. No. 0001
2	046E6028	1	1	1	1							Dipstick tube	Renault # 0608111500
3	046E6027	1	1	1	1							Dipstick	Renault # 0833113100
4	046E6029	1	1	1	1							2 x 1.5 x 11mm Dowel Pin	
5	046E6009	1	1	1	1							Camshaft Bearing Housing	
6	046E6008	1	1	1	1							Camshaft Housing Bearing	
7	046E6011	1	1	1	1							Camshaft Housing Seal Ring - 32 x 45 x 10 mm.	
7	046E6010	2	2	2	2							8 x 52 Bolt	
7	A046W6001	3	3	3	3							Camshaft Bearing Housing to Cylinder Block Star Washer	
7	046E6012	1	1	1	1							8 x 72 Bolt	
8	046E6007	1	1	1	1							Camshaft Housing to Cylinder Block Gasket	
9	046E6013	1	1	1	1							8.9 x 12.7 x 1.9 mm O Ring	
10	046E6015	1	1	1	1							Joint	
11	046E6016	2	2	2	2							Stud - or A046E6094	
11	A046E6094	2	2	2	2							Stud - or 046E6016	
12	A046E6491	1	1	1	1							Gasket	
13	046E6017	1	1	1	1							Washer - or A046E6082	
13	A046E6082	1	1	1	1							Washer - or 046E6017	
13	A046W6081	1	1	1	1							Fuel Pump Mounting Bolt	
14	046E6018	1	1	1	1							Plug	
15	046E6019	1	1	1	1							Seal	
16	A046E6504	4										Shim - 0.07 (697-04) Optional	Up to Eng. No. 0565
16	046E6201	4										Shim - 0.10 (697-04) Optional	Up to Eng. No. 0565
16	A054E6095		4	4	4							Shim - 0.08 (697-04) Optional	From Eng. No. 0566 to 1760
16	A054E6095		4	4	4							Shim - 0.08 (821-30) Optional	From Eng. No. 0001 to 0377
16	A054E6096		4	4	4							Shim - 0.10 (697-04) Optional	From Eng. No. 0566 to 1760
16	A054E6096		4	4	4							Shim - 0.10 (821-30) Optional	From Eng. No. 0001 to 0377
16	A054E6097		4	4	4							Shim - 0.12 (697-04) Optional	From Eng. No. 0566 to 1760
16	A054E6097		4	4	4							Shim - 0.12 (821-30) Optional	From Eng. No. 0001 to 0377

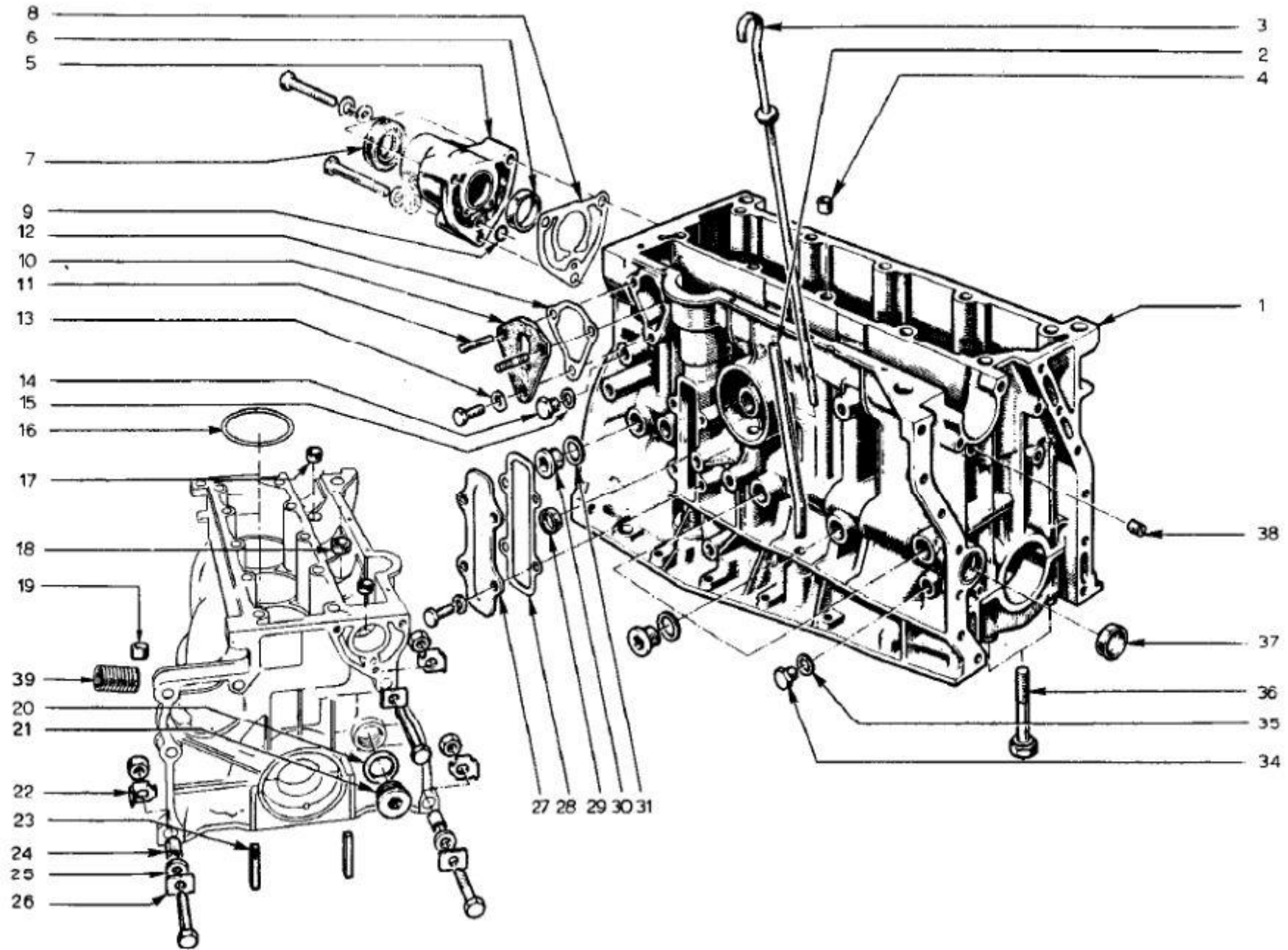
EA



Lotus Europa S1/S2 Parts Manual - Section EA - Engine - Block - Page 4

Item	Lotus #	S1	S1A/B	S2	S2 Fed	TC	TC Fed	TCS	TCS F	LHD	RHD	Description	Change Point Notes Bulletin Reference
16	A054E6095			4	4							Shim - 0.08 (697-04) Optional	From Eng. No. 1761
16	A054E6095			4	4							Shim - 0.08 (821-30) Optional	From Eng. No. 0378
16	A054E6096			4	4							Shim - 0.10 (697-04) Optional	From Eng. No. 1761
16	A054E6096			4	4							Shim - 0.10 (821-30) Optional	From Eng. No. 0378
16	A054E6097			4	4							Shim - 0.12 (697-04) Optional	From Eng. No. 1761
16	A054E6097			4	4							Shim - 0.12 (821-30) Optional	From Eng. No. 0378
17	046E6020	2	2	2	2							Plug	
18	046E6021	1	1	1	1							Plug	
19	054E6098	1	1	1	1							Plug (697-04)	From Eng. No. 0566
19	054E6098											Plug (821-30)	From Eng. No. 0001
20	046E6022	1	1	1	1							Seal	
21	046E6023	1	1	1	1							Screw Plug	
22	046E6024	3	3	3	3							Lock Plate	
23	046E6202	2	2	2	2							5.1 mm Joint - or 046E6203	
23	046E6203	2	2	2	2							5.4 mm Joint - or 046E6202	
24	046E6025	2	2	2	2							Bush	
25	046E6026	2	2	2	2							Washer	
26	A046W6009	3	3	3	3							Washer	
26	A046W6008	2	2	2	2							10 x 50 mm Bolt	
26	A046W6007	3	3	3	3							Nut	
27	046E6042	1	1									Cover plate (697-04)	
27	046E6043	1	1	1	1							Cover Plate	
28	046E6041	1	1	1	1							Gasket	
28	A046W6004	4	4	4	4							Coverplate to Cylinder Block Bolt - 8 x 20	
28	A046W6018	4	4	4	4							Coverplate to Cylinder Block Bolt - 8 x 20	
29	046E6040	1	1	1	1							Plug	
30	046E6038	4	4	4	4							Screw Plug M18x1.5	
31	046E6037	4	4	4	4							Screw Plug Seal Ring	
34	046E6018	1	1	1	1							Screw Plug	
35	046E6034	1	1	1	1							Screw Plug Seal Ring	
36	046E6033											Main Bearing Cap Bolt - 10 x 67	
37	046E6032											Plug	
38	046E6031											Blanking Plug (697-04)	Up to Eng. No. 0052

EA



Lotus Europa S1/S2 Parts Manual - Section EA - Engine - Block - Page 6

Item	Lotus #	S1	S1A/B	S2	S2 Fed	TC	TC Fed	TCS	TCS F	LHD	RHD	Description	Change Point Notes Bulletin Reference
39	A054E6099				1							Threaded Tube (821-30)	
39	A046W6005	1	1	1								Bolt	
39	A046W6006				1							Bolt	
39	A046W6010	1	1	1	1							Washer	
39	046E6000	1	1	1								Overhaul Gasket Set (697-04)	
39	054E6004				1							Overhaul Gasket Set (821-30)	Up to Eng. No. 0897
39	A054E6004				1							Overhaul Gasket Set (821-30)	From Eng. No. 0898
1	A046W6002	3	3	3	3							Washer - Camshaft Bearing Housing to Cylinder Block	