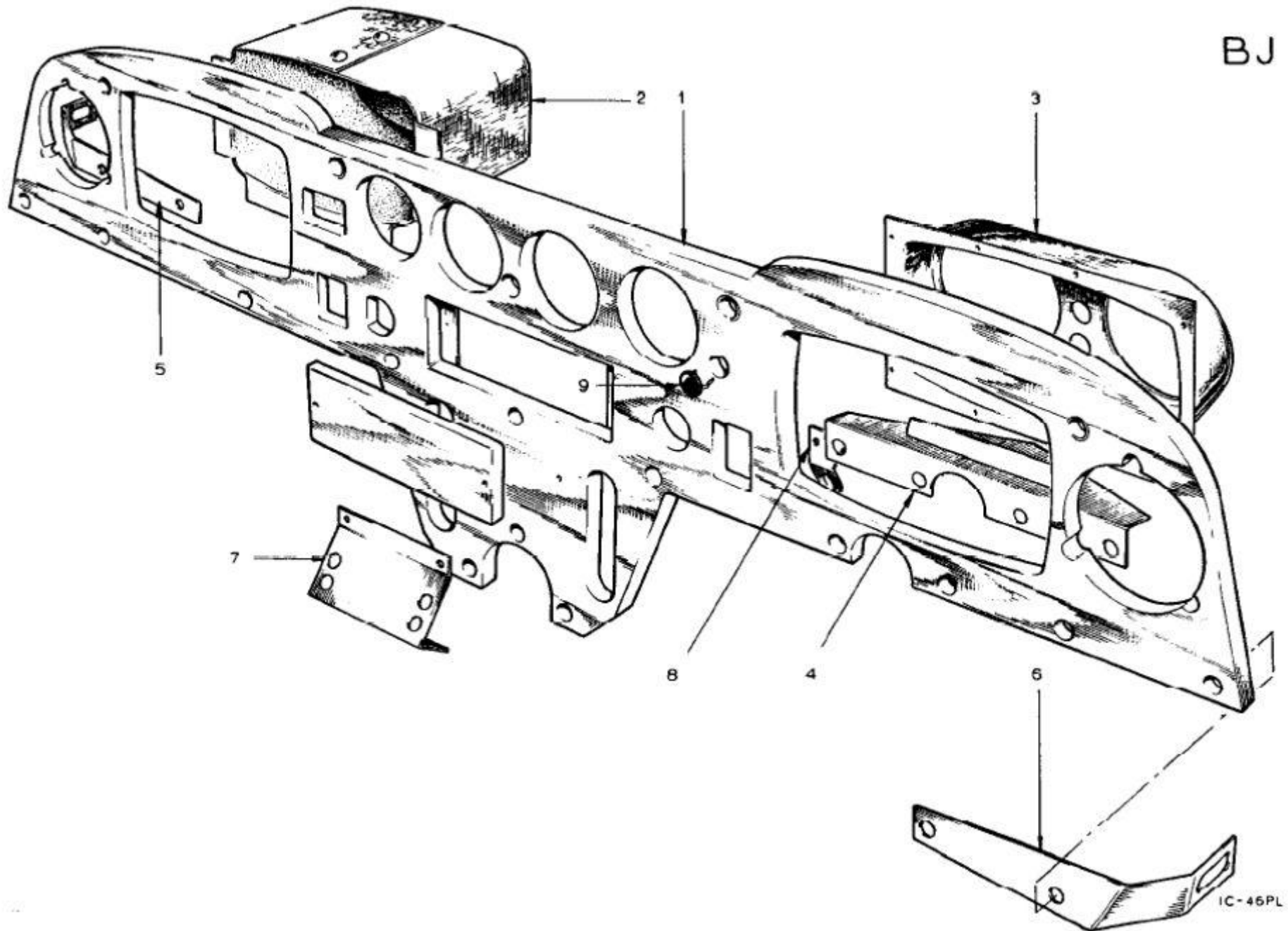


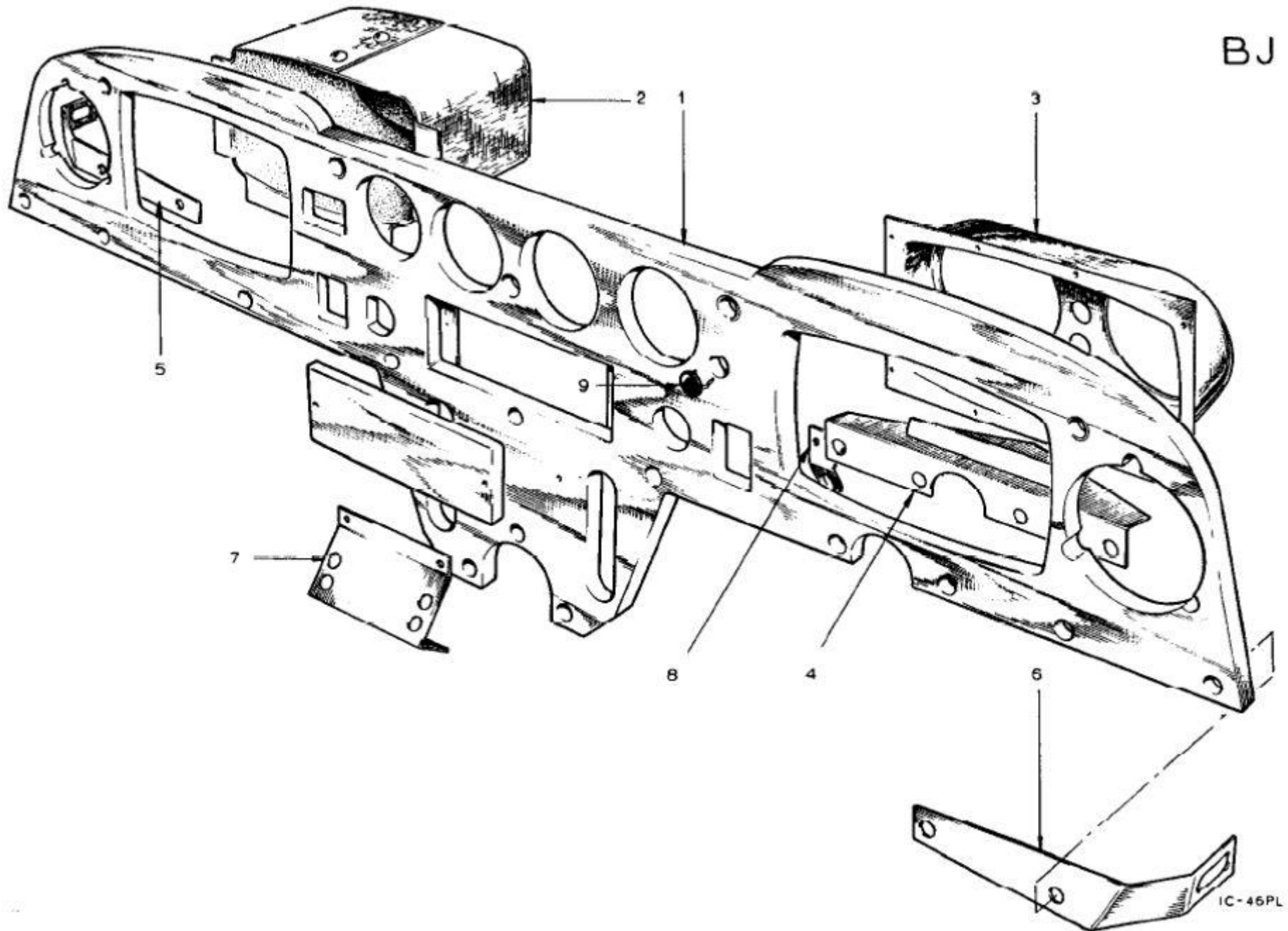
BJ



Lotus Europa S1/S2 Parts Manual - Section BJ - Body - Dash - Page 2

Item	Lotus #	S1	S1A/B	S2	S2 Fed	TC	TC Fed	TCS	TCS F	LHD	RHD	Description	Change Point Notes Bulletin Reference
1	046B0237	1									+	Facia Panel	Up to Chassis No. 0299 excluding 0270 - 0271 and 0272
1	A046B0237		1								+	Facia Panel	From Chassis No. 0299 including 0270 - 0271 and 0272
1	046B1071	1	1									Instrument Mounting Panel	
1	054B0238			1						+		Facia panel	Up to Chassis No. 1172
1	054B0237			1						+		Facia Panel	Up to Chassis No. 1386
1	054B0238A			1						+		Facia Panel	From Chassis No. 1173
1	054B0237A			1						+		Facia Panel - except Sweden 1970	From Chassis No. 1387
1	A054B0237				1					+		Facia Panel	From Chassis No. 1066
1	A054B0237			1						+		Facia Panel without hazard warning and brake fail marking - Sweden only	From January 1970
2	054B0195			1	1							Glove Box	
3	054B1408			1	1							Instrument Binnacle	
3	RWDS0406			17	17							Screw - Instrument binnacle and Clove Box to Facia	
4	054H0031 ?			1	1							Support Bracket - Steering Column	
4	A03W0806			2	2							Washer - Support Bracket to Facia	
4	RWDS0406			2	2							Screw - Support Bracket to Facia	
5	054B1459			1	1							Facia Support Bracket	Up to Chassis No. ?
5	A054B1459			1	1							Facia Support Bracket	From Chassis No. ?
6	054B1460			1	1							Facia Support Bracket	Up to Chassis No. ?
6	A054B1460			1	1							Facia Support Bracket	From Chassis No. ?
6	AUFN030F			4	4							Nut - Support Bracket/Facia Rail to Facia panel	
6	A03W0806 ?			4	4							Washer - Support Bracket/Facia Rail to Facia panel	
7	054B1462			1	1							Mounting Bracket - Window Switches and Ashtray	
7	433B ?			4	4							Rivet - Mounting Bracket to Tunnel Top	
8	054B1463			1								Mounting Bracket - Speedometer Trip Cable	
8	054B1539				1							Mounting Bracket - Speedometer Trip Cable	
9	036B6114			2								Blanking Gromet	
9	443B			1								Blanking Gromet (Germany - Italy - Switzerland and Japan)	
9	050B6155				1							Blanking Gromet	

BJ



Lotus Europa S1/S2 Parts Manual - Section BJ - Body - Dash - Page 4

Item	Lotus #	S1	S1A/B	S2	S2 Fed	TC	TC Fed	TCS	TCS F	LHD	RHD	Description	Change Point Notes Bulletin Reference
9	KSTS0612	10	10									Screw - Facia Mounting	
9	054B6033			4	4							Screw - Facia Mounting	
9	W0092	10	10									Cup Washer - Facia Mounting	
9	XUFS0412			2	2							Screw - Facia Mounting	
9	YUFN040F			2	2							Nut - Facia Mounting	
9	A04W0904			2	2							Washer - Facia Mounting	
9	F04W0805			2	2							Washer Fibre - Facia Mounting	
9	054B1345			2	2							Mounting Angle - Facia Mounting	
9	A046B0197		1									Glove Box Lid	
9	046B6126		1									Hinge - Glove Box	
9	046B6122		1									Check Strap	
9	036B6033		6									Rivet - Hinge to Facia	
9	KSPS0306		6									Screw - Hinge to Lid	
9	KUFS0616		10									Screw - Facia Mounting	