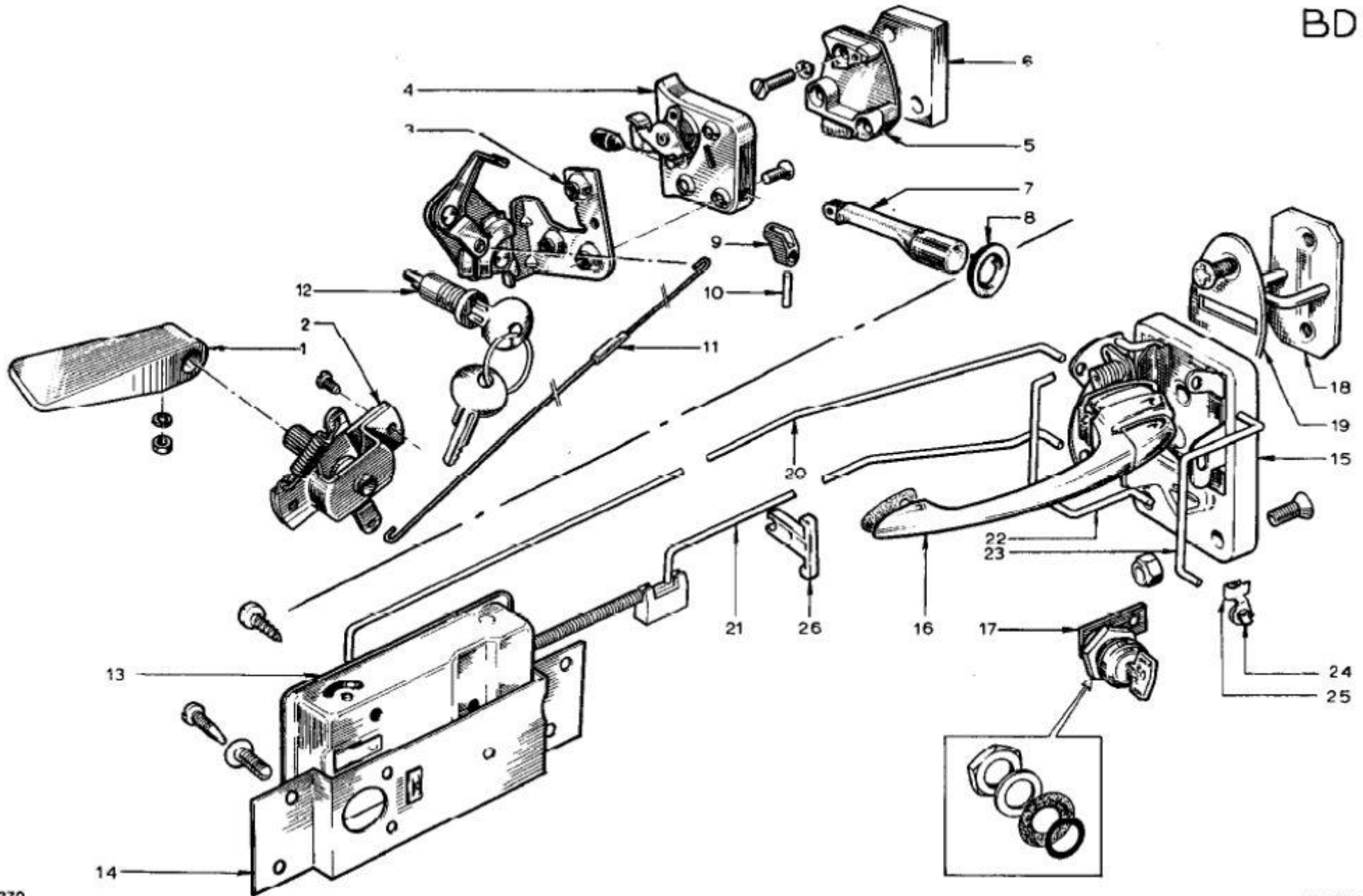


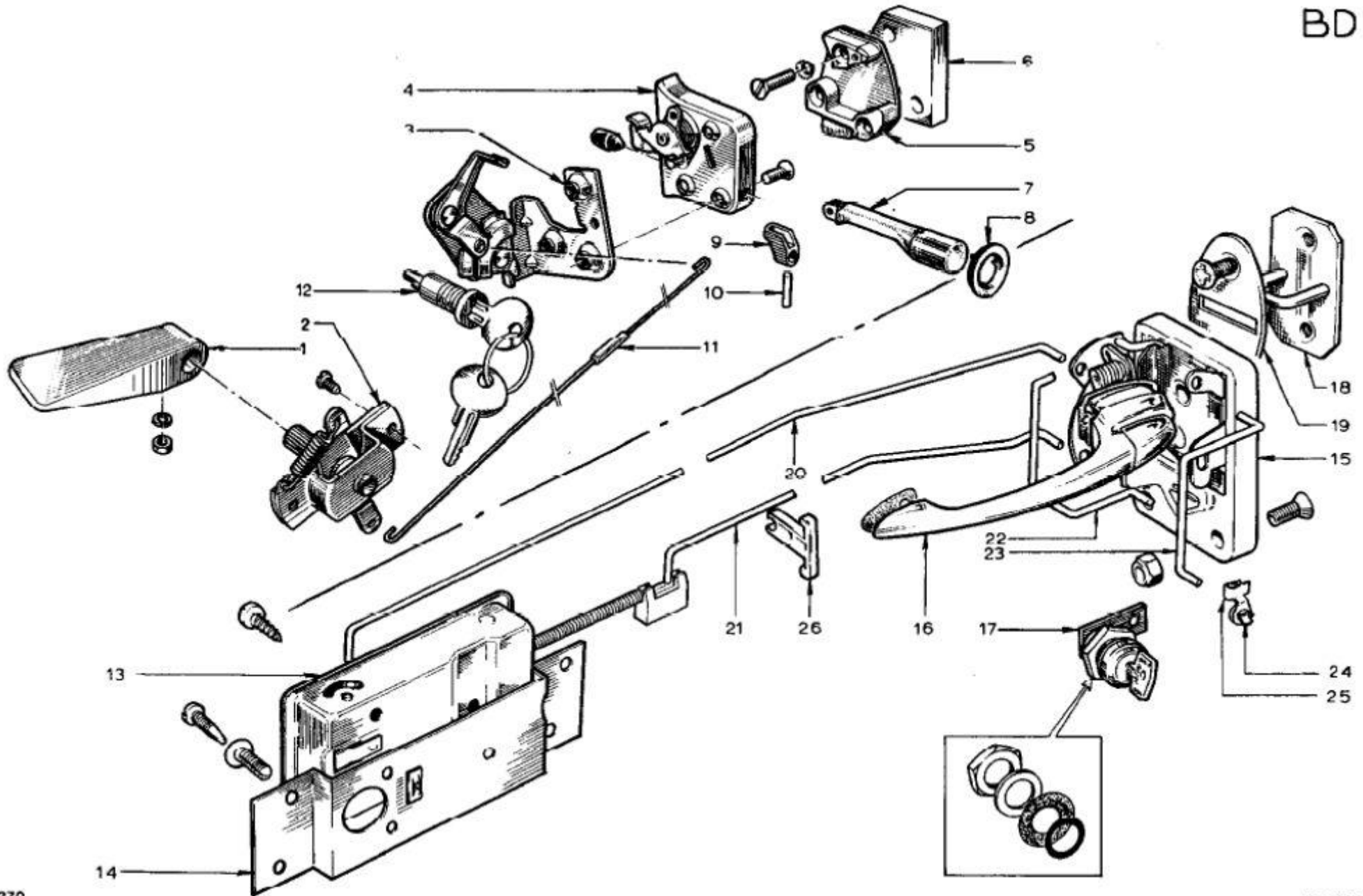
BD



Lotus Europa S1/S2 Parts Manual - Section BD - Body - Door Hardware - Page 2

Item	Lotus #	S1	S1A/B	S2	S2 Fed	TC	TC Fed	TCS	TCS F	LHD	RHD	Description	Change Point Notes Bulletin Reference
1	046B6065	1	1									Door Handle - Interior LH	
1	046B6065			1								Door Handle - Interior LH	Up to Chassis No. 1065
1	046B6066	1	1									Door Handle - Interior RH	
1	046B6066			1								Door Handle - Interior RH	Up to Chassis No. 1065
2	046B6067	1	1									Remote Control (Inside Door Handle) LH	
2	046B6067			1								Remote Control (Inside Door Handle) LH	Up to Chassis No. 1065
2	046B6068	1	1									Remote Control (Inside Door Handle) RH	
2	046B6068			1								Remote Control (Inside Door Handle) RH	Up to Chassis No. 1065
3	046B6055	1	1									Door Lock LH	
3	046B6055			1								Door Lock LH	Up to Chassis No. 1065
3	046B6056	1	1									Door Lock RH	
3	046B6056			1								Door Lock RH	Up to Chassis No. 1065
4	046B6053	1	1									Door Lock Striker LH	
4	046B6053			1								Door Lock Striker LH	Up to Chassis No. 1065
4	046B6054	1	1									Door Lock Striker RH	
4	046B6054			1								Door Lock Striker RH	Up to Chassis No. 1065
5	046B6051	1	1									Catch Plate LH	
5	046B6051			1								Catch Plate LH	Up to Chassis No. 1065
5	046B6052	1	1									Catch Plate RH	
5	046B6052			1								Catch Plate RH	Up to Chassis No. 1065
6	046B1095	2	2									Tapping Plate	
6	046B1095			2								Tapping Plate	Up to Chassis No. 1065
7	046B6058	1	1									Push Button LH	
7	046B6058			1								Push Button LH	Up to Chassis No. 1065
7	046B6059	1	1									Push Button RH	
7	046B6059			1								Push Button RH	Up to Chassis No. 1065
8	046B6060	2	2									Escutcheon	
8	046B6060			2								Escutcheon	Up to Chassis No. 1065
9	046B6061	2	2									Lock Tab	
9	046B6061			2								Lock Tab	Up to Chassis No. 1065
10	046B6062	2	2									Tension Pin	
10	046B6062			2								Tension Pin	Up to Chassis No. 1065
11	046B1129	2	2									Remote Control (Inside Door Handle) Rod	

BD



Lotus Europa S1/S2 Parts Manual - Section BD - Body - Door Hardware - Page 4

Item	Lotus #	S1	S1A/B	S2	S2 Fed	TC	TC Fed	TCS	TCS F	LHD	RHD	Description	Change Point Notes Bulletin Reference
11	046B1129			2								Remote Control (Inside Door Handle) Rod	Up to Chassis No. 1065
12	046B6064	2	2									Lock Barrel	
12	046B6064			2								Lock Barrel	Up to Chassis No. 1065
13	046B6050			1	1							Remote Control (Inside Door Handle) LH	From Chassis No. 1066
13	046B6051			1	1							Remote Control (Inside Door Handle) RH	From Chassis No. 1066
14	054B1629			1	1							Mounting Bracket - Remote Control (Inside Door Handle) LH	From Chassis No. 1066
14	054B1630			1	1							Mounting Bracket - Remote Control (Inside Door Handle) RH	From Chassis No. 1066
14	036B6123			4	4							Tappit - Mounting Bracket to Door Sill	From Chassis No. 1066
14	RSTS100B			6	6							Screw - Remote Control (Inside Door Handle) to Mounting Bracket	From Chassis No. 1066
14	046B6126			6	6							Nut - Remote Control (Inside Door Handle) to Mounting Bracket	From Chassis No. 1066
15	036B6048			1	1							Door Lock LH	From Chassis No. 1066
15	036B6049			1	1							Door Lock RH	From Chassis No. 1066
15	KUFS0416			8	8							Screw - Door Lock to Door	From Chassis No. 1066
15	YUFN040F			8	8							Nut - Door Lock to Door	From Chassis No. 1066
16	036B6052			1	1							Door Handle - Exterior LH	From Chassis No. 1066
16	036B6149			2	2							Door Handle to Door Gasket - Small	From Chassis No. 1066
16	036B6095			2	2							Door Handle to Door Gasket - Large	From Chassis No. 1066
16	XUFS1010			2	2							Screw - Door Handle to Door	From Chassis No. 1066
16	A03W0605			2	2							Washer - Door Handle to Door	From Chassis No. 1066
17	A036B6191			2	2							Private Door Lock LH and RH	From Chassis No. 1066
17	LUFN120F			2	2							Nut - Private Lock Mounting	From Chassis No. 1066
17	036B1410			2	2							Washer - Private Lock Mounting	From Chassis No. 1066
17	A036B1884			2	2							Friction Washer	From Chassis No. 1066
17	036B6096			2	2							Door Lock Gasket	From Chassis No. 1066
18	036B6054			2	2							Striker Plate	From Chassis No. 1066
19	036B6055			2	2							Cover Plate	From Chassis No. 1066
19	KUFS0416			4	4							Screw - Striker Mounting	From Chassis No. 1066
20	054B1411			1	1							Locking Rod - Remote Control (Inside Door Handle) to Lock LH	From Chassis No. 1066

Lotus Europa S1/S2 Parts Manual - Section BD - Body - Door Hardware - Page 6

Item	Lotus #	S1	S1A/B	S2	S2 Fed	TC	TC Fed	TCS	TCS F	LHD	RHD	Description	Change Point Notes Bulletin Reference
20	054B1412			1	1							Locking Rod - Remote Control (Inside Door Handle) to Lock RH	From Chassis No. 1066
21	054B1413			1	1							Wire - Remote Control (Inside Door Handle) to Lock LH	From Chassis No. 1066
21	054B1414			1	1							Wire - Remote Control (Inside Door Handle) to Lock RH	From Chassis No. 1066
22	054B1415			1	1							Wire - Door Handle to Lock LH	From Chassis No. 1066
22	054B1416			1	1							Wire - Door Handle to Lock RH	From Chassis No. 1066
23	054B1423			1	1							Wire - Private Lock to Lock LH	From Chassis No. 1066
23	054B1424			1	1							Wire - Private Lock to Lock RH	From Chassis No. 1066
24	036B6056			12	12							Bush - Remote Control (Inside Door Handle) Wire Fixing	From Chassis No. 1066
25	036B6098			12	12							Fastener - Remote Control (Inside Door Handle) Wire Fixing	From Chassis No. 1066
26	036B6155			4	4							Anti-rattle Clip	From Chassis No. 1066
16	036B6053			1	1							Door Handle - Exterior RH	From Chassis No. 1066