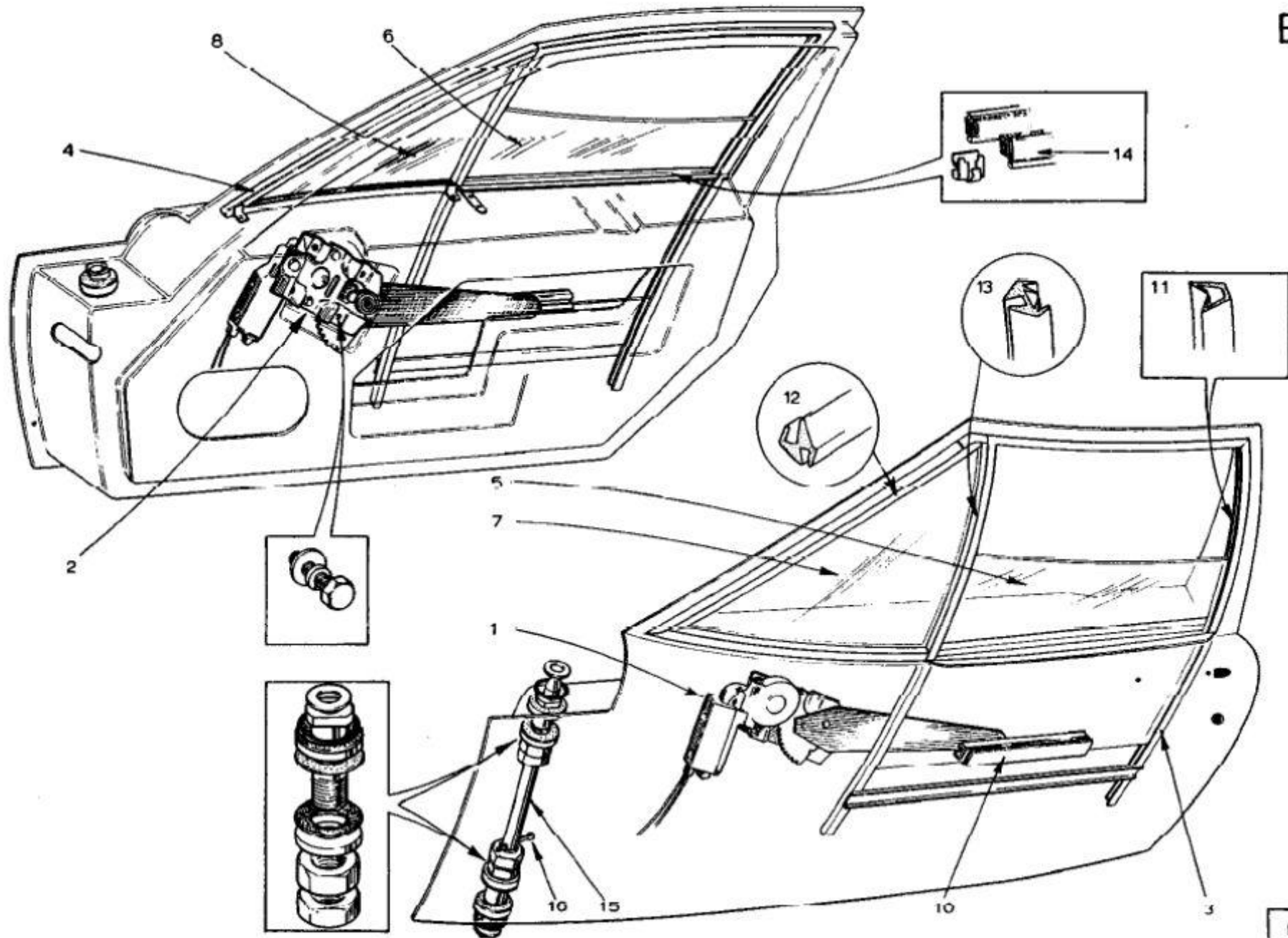


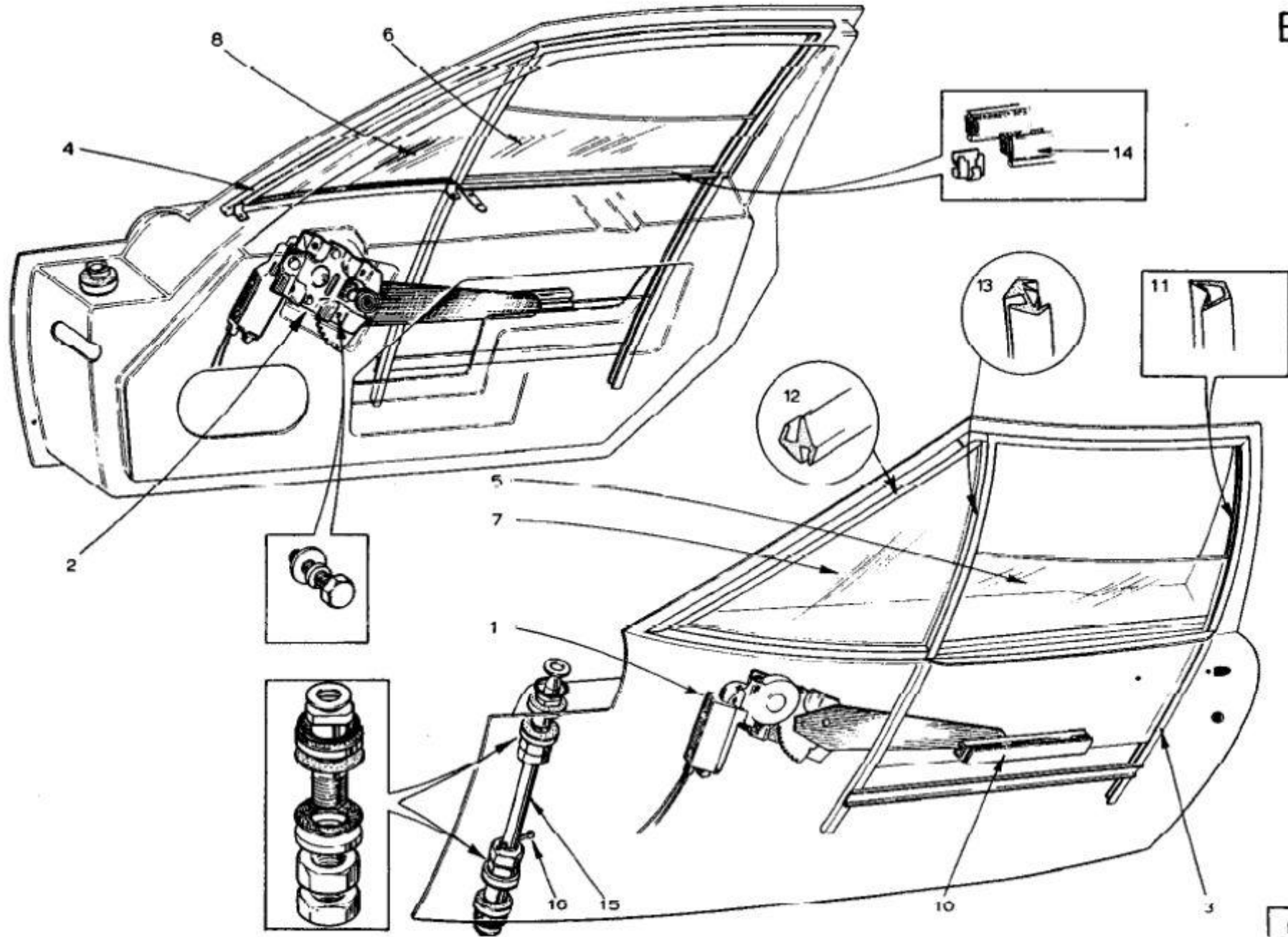
BC



Lotus Europa S1/S2 Parts Manual - Section BC - Body - Door Windows, Motors and Hinges - Page 2

Item	Lotus #	S1	S1A/B	S2	S2 Fed	TC	TC Fed	TCS	TCS F	LHD	RHD	Description	Change Point Notes Bulletin Reference
1	054B1495			1	1							Window Lift Motor - LH	From Chassis No. 0645
1	054B1496			1	1							Window Lift Motor - RH	From Chassis No. 0645
1	XUFB 0418			8	8							Bolt - Window Lift Motor to Door	From Chassis No. 0645
1	A04W1606			8	8							Washer - Window Lift Motor to Door	From Chassis No. 0645
1	L04W0000			8	8							Washer - Window Lift Motor to Door	From Chassis No. 0645
1	046B6015	2	2									Side Window Surround	Up to Chassis No. 0644
1	046B0659		1									Dividing Channel Side Window LH	From Chassis No. 0300 - including 0270 - 0271 & 0272 - to 0644
1	046B0660		1									Dividing Channel Side Window LH	From Chassis No. 0300 - including 0270 - 0271 & 0272 - to 0644
1	MUFS0408		4									Screw - Dividing Channel Mounting	From Chassis No. 0300 - including 0270 - 0271 & 0272 - to 0644
1	YUFN040H		4									Nut - Dividing Channel Mounting	From Chassis No. 0300 - including 0270 - 0271 & 0272 - to 0644
1	A02W0603		4									Washer - Dividing Channel Mounting	From Chassis No. 0300 - including 0270 - 0271 & 0272 - to 0644
3	054B0791			1	1							Window Frame - LH	From Chassis No. 0645
3	054B0792			1	1							Window Frame - RH	From Chassis No. 0645
4	054B0789 ?			1	1							Quarter Light Frame LH	From Chassis No. 0645
4	054B0790			1	1							Quarter Light Frame rH	From Chassis No. 0645
4	036B6033			14	14							Rivet - Window Frames to Door	From Chassis No. 0645
4	PUCS0408			4	4							Screw - Window Frames to Door	From Chassis No. 0645
4	A02W0603			4	4							Washer - Window Frames to Door	From Chassis No. 0645
4	YUNC040F			4	4							Nut - Window Frames to Door	From Chassis No. 0645
5	046B0667	1										Side Window LH	Up to Chassis No. 0299 excluding 0270 - 0271 and 0272
5	A046B0667		1									Side Window LH	From Chassis No. 0300 including 0270 - 0271 and 0272 - to 0644
5	054B0667			1	1							Side Window LH	From Chassis No. 0645

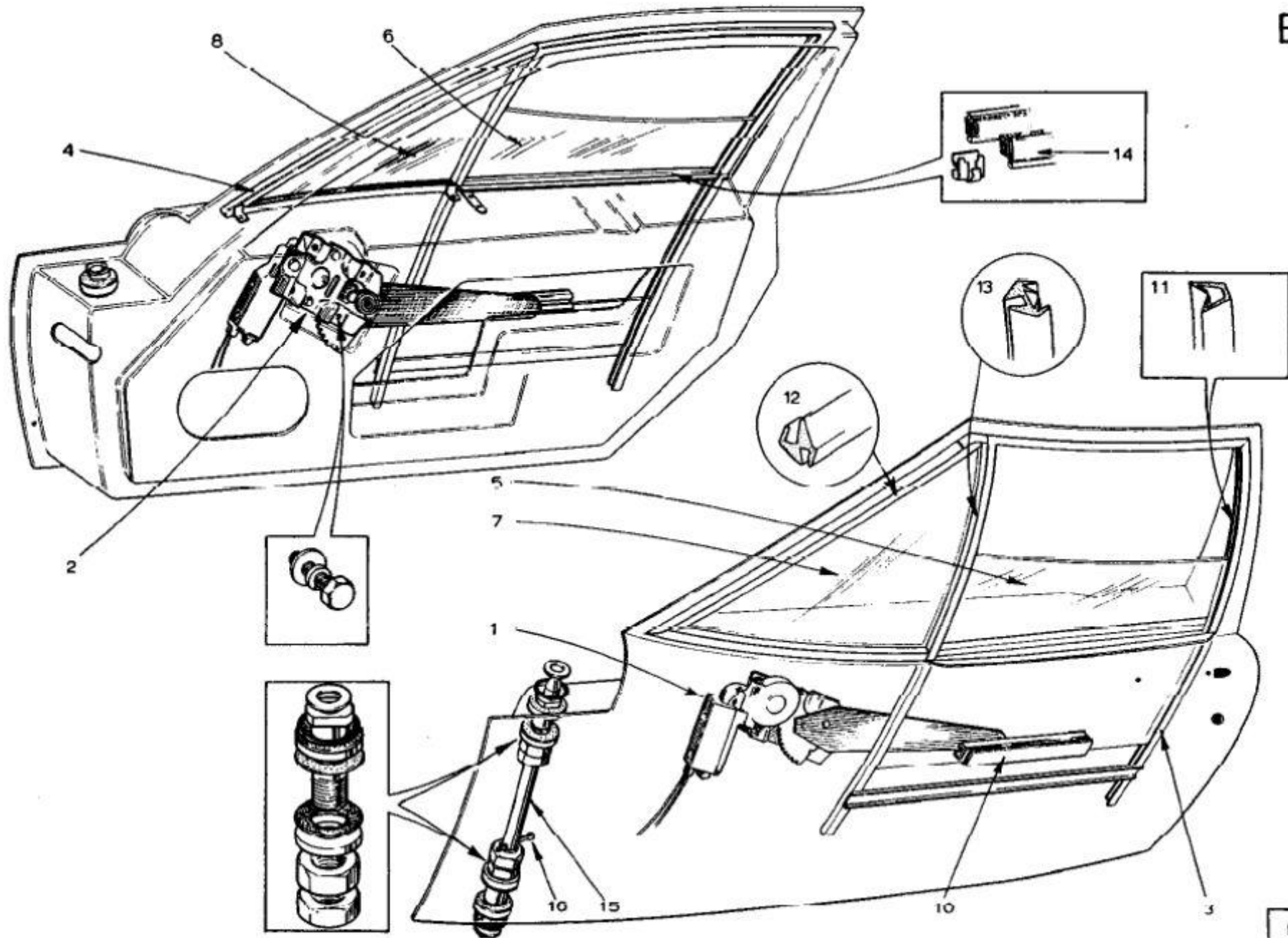
BC



Lotus Europa S1/S2 Parts Manual - Section BC - Body - Door Windows, Motors and Hinges - Page 4

Item	Lotus #	S1	S1A/B	S2	S2 Fed	TC	TC Fed	TCS	TCS F	LHD	RHD	Description	Change Point Notes Bulletin Reference
5	054B0667A											Side Window LH Shaded Optional	
5	046B0668	1										Side Window RH	Up to Chassis No. 0299 excluding 0270 - 0271 and 0272
5	A046B0668	1										Side Window RH	From Chassis No. 0300 including 0270 - 0271 and 0272 - to 0644
6	054B0668			1	1							Side Window RH	From Chassis No. 0645
6	054B0668A											Side Window RH Shaded Optional	
6	046B0669	1										Quarter Light Glass	From Chassis No. 0300 including 0270 - 0271 and 0272 - to 0644
6	054B0669			1	1							Quarter Light Glass replaced by 054B0669A	From Chassis No. 0645 to 1479
7	054B0669A			1	1							Quarter Light Glass LH	From Chassis No. 1480
7	B054B0669											Quarter Light Glass LH Shaded optional	
7	046B0670	1										Quarter Light Glass	From Chassis No. 0300 including 0270 - 0271 and 0272 - to 0644
8	054B0670											Quarter Light Glass replaced by 054B0670A	From Chassis No. 0645 to 1479
8	054B0670A			1	1							Quarter Light Glass RH	From Chassis No. 1480
8	B054B0670											Quarter Light Glass RH Shaded Optional	
10	054B0091			2	2							Channel - Window Lift	
10	054B6108			2	2							Evermeal Strip - Window Lift Channel	
10	046B6117	1										Side Window Channel LH	From Chassis No. 0300 including 0270 - 0271 and 0272 - to 1065
10	046B6118	1										Side Window Channel RH	From Chassis No. 0300 including 0270 - 0271 and 0272 - to 1065
11	054B6023			1	1							Side Window Channel	From Chassis No. 1066
12	A054B1899			1	1							Seal Channel - Quarter Light - Front & Base	From Chassis No. 1066
12	046B6119	2										Seal Channel - Quarter Light	From Chassis No. 0300 including 0270 - 0271 and 0272 - to 1065

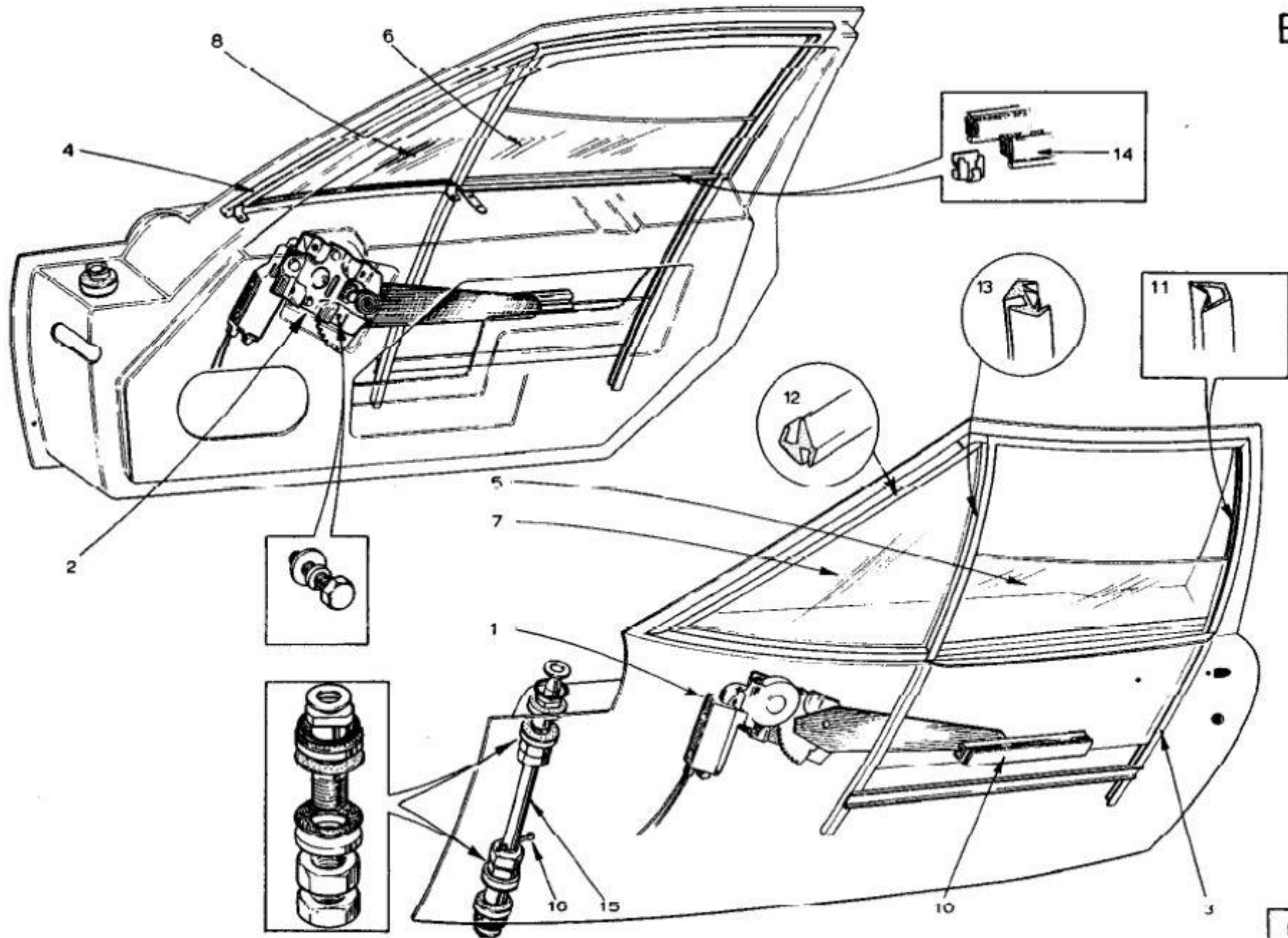
BC



Lotus Europa S1/S2 Parts Manual - Section BC - Body - Door Windows, Motors and Hinges - Page 6

Item	Lotus #	S1	S1A/B	S2	S2 Fed	TC	TC Fed	TCS	TCS F	LHD	RHD	Description	Change Point Notes Bulletin Reference
13	A054B1898			1	1							Seal Channel - Quarter Light to Dividing Channel	From Chassis No. 1066
14	050B6011 ?			4	4							Weather Strip - Side Window	From Chassis No. 1066
14	054B6106			16	16							Clip - Weatherstrip to Frame	From Chassis No. 1066
15	046B0073	2	2	2	2							Pivot Pin - Door Hinge	
15	A054B2000	4	4	4	4							Brush - Door Hinge	
15	046B6024	4	4	4	4							O Ring - Door Hinge	
15	AUFN120H	8	8	8	8							Nut - Door Hinge	
15	128D	8	8	8	8							Washer - Door Hinge	
15	128CA											Washer - Door Hinge (All - As Required)	
15	W015	12	12	12	12							Abrasive Washer - Door Hinge	
16	054B6105	2	2	2	2							Split Pin - Door Hinge	
16	46B1370 ?		4									Catch - Side Window	From Chassis No. 0300 including 0270 - 0271 and 0272
16	W0135		4									Screw - Catch to Side Window	From Chassis No. 0300 including 0270 - 0271 and 0272
16	046B6114		4									Domed Nut - Catch to Side Window	From Chassis No. 0300 including 0270 - 0271 and 0272
16	A03@0605		4									Washer - Catch to Side Window	From Chassis No. 0300 including 0270 - 0271 and 0272
16	046B6115		8									Washer - Fibre - Catch to Side Window	From Chassis No. 0300 including 0270 - 0271 and 0272
16	036B6007		4									Snap Sac - Trim Panel Mounting	From Chassis No. 0300 including 0270 - 0271 and 0272
16	046B1361		4									Carrier Bracket - Side Window	From Chassis No. 0300 including 0270 - 0271 and 0272
16	050B6003 ?		4									Rivet - Carrier Bracket to Body	From Chassis No. 0300 including 0270 - 0271 and 0272

BC



Lotus Europa S1/S2 Parts Manual - Section BC - Body - Door Windows, Motors and Hinges - Page 8

Item	Lotus #	S1	S1A/B	S2	S2 Fed	TC	TC Fed	TCS	TCS F	LHD	RHD	Description	Change Point Notes Bulletin Reference
16	A03W0605		4									Washer - Carrier Bracket to Body	From Chassis No. 0300 including 0270 - 0271 and 0272