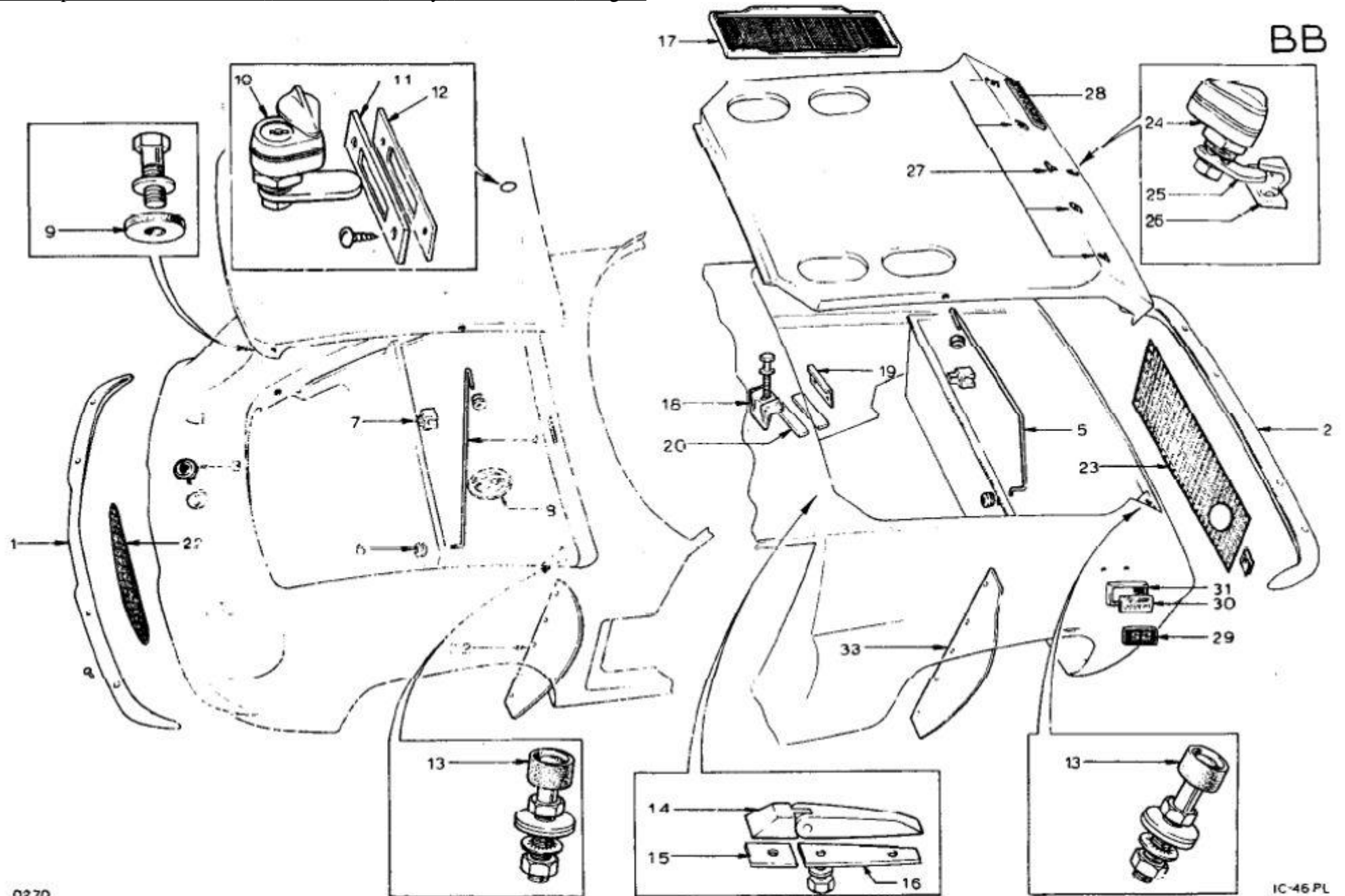


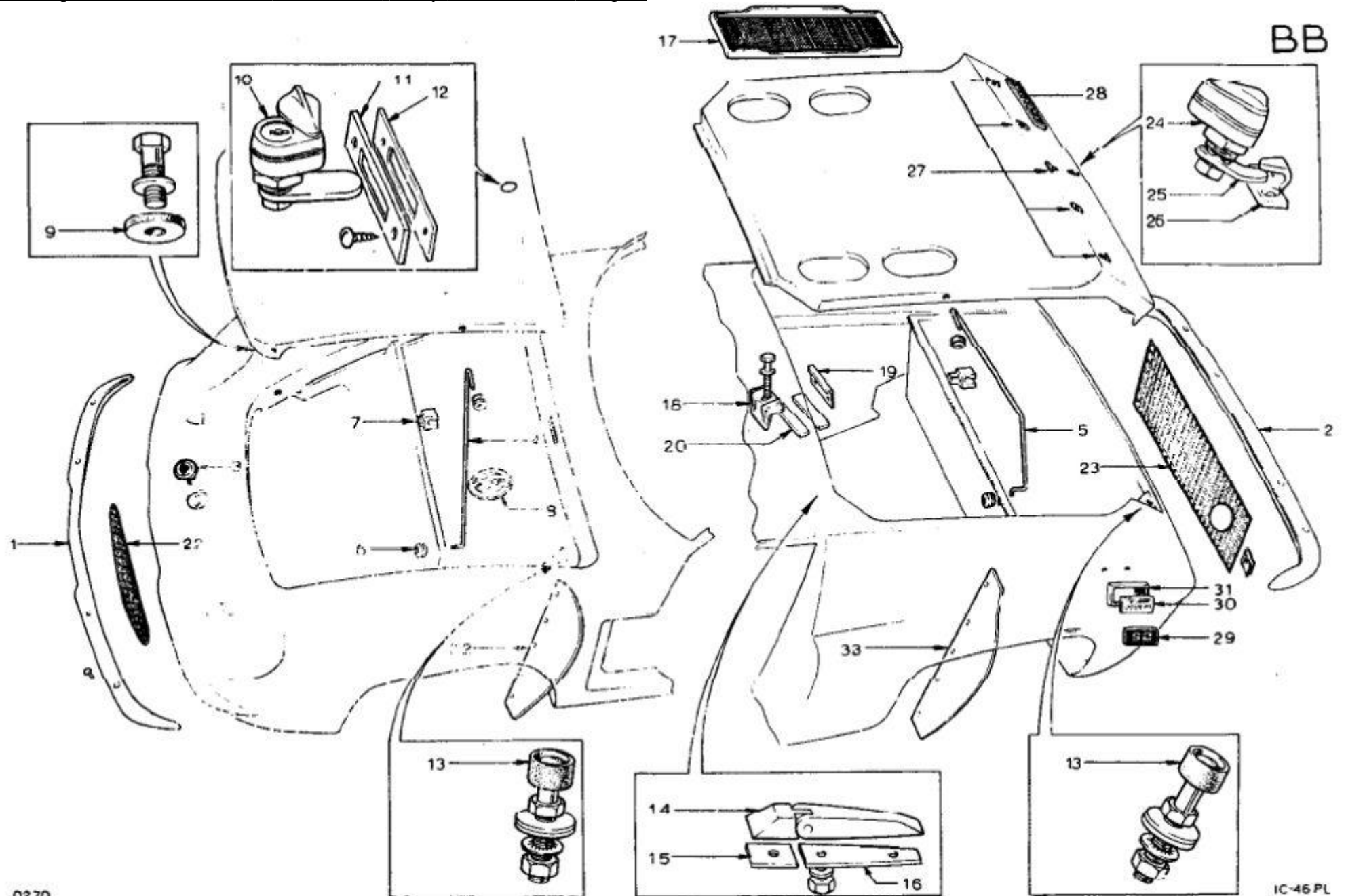
Lotus Europa S1/S2 Parts Manual - Section BB - Body - Attachments - Page 2

Item	Lotus #	S1	S1A/B	S2	S2 Fed	TC	TC Fed	TCS	TCS F	LHD	RHD	Description	Change Point Notes Bulletin Reference
1	046B6011	1	1	1	1							Front Bumper	
2	046B6012	1	1	1	1							Rear Bumper	
2	046B6013	2	2	2	2							Blanking Rivet	
2	A050B6033	8	8	8	8							Bumper Bolt - Bumper Mounting	
2	116AA	8	8	8	8							Fibre Washer - Bumper Mounting	
2	A0521007	8	8	8	8							Washer - Bumper Mounting	
2	S05W0000	8	8	8	8							Washer - Spring - Bumper Mounting	
2	214A	8	8	8	8							Nut - Bumper Mounting	
3	026B0269	1	1	1	1							Badge - Yellow and green	
3	2BAN000H	2	2	2	2							Nut - Badge Mounting	
3	A03W0806	2	2	2	2							Washer - Badge Mounting	
3	046B1131	1	1									Stay - Front Lid Support	
4	054B1535			1	1							Stay - Front Lid Support	
5	046B1131	1	1	1	1							Stay - Engine Compartment Lid Support	
5	046B6048	4	4	4	4							Gromet - Stay Pivot	
6	036B6010	4	4	4	4							Gromet - Stay Pivot	
6	046B6023	2	2									Clip - Stay Stowage	
7	054B1693	2	2	2	2							Clip - Stay Stowage	
7	046B1289	1	1									Strip - Lid Periphery Sealing	
7	A036B6213	1	1	1	1							Strip - Lid Periphery Sealing	
8	026B0371			1	1							Gromet - Handbrake Fixing Access	
8	054J6005				1							Gromet - Front Wishbone Access	
8	036M6289			1	1							Gromet - Front Wishbone Access	
9	054B6107	2	2	2	2							Rubber Washer - Bonnet Fixing	1" OD x 11/32" ID x 1/8" Thick
9	XUFB0528	2	2	2	2							Bolt - Bonnet Fixing	
9	A05W1007	2	2	2	2							Washer - Bonnet Fixing	1/16" thick, 5/8" OD and 9/32" ID
9	046B6043	2										Oddie fastener	
9	046B6044	2										Mounting Plate - Oddie Fastener	
9	046B6045	2										Clip - Oddie Fastener	
9	036B6033	6										Rivet - Oddie Fastener	
10	046B6112		1	1	1							Lock - Bonnet	
10	046B1362		1	1	1							Tab - Bonnet Lock	
11	046B1368		1	1	1							Plate - Bonnet Lock	



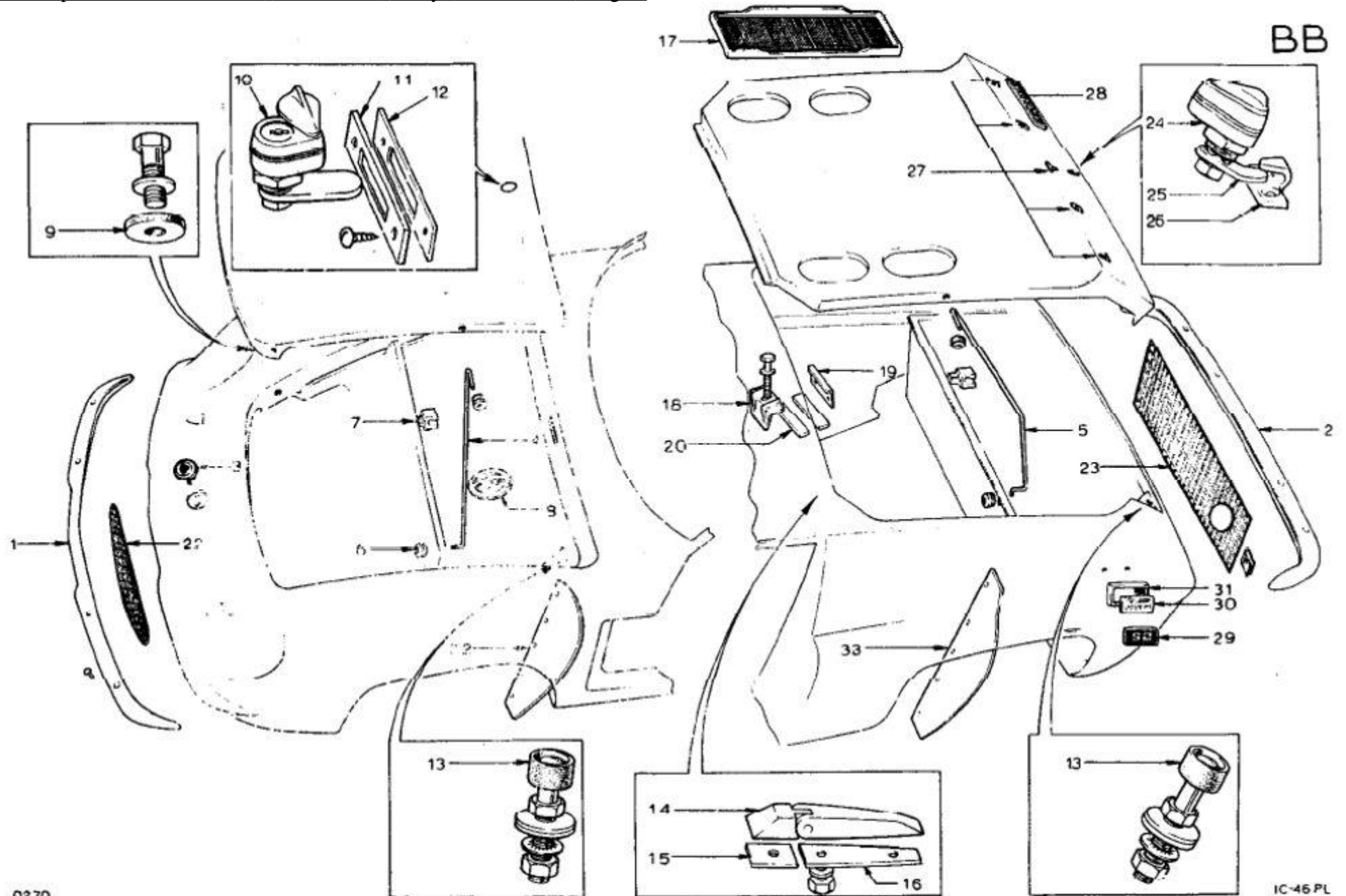
Lotus Europa S1/S2 Parts Manual - Section BB - Body - Attachments - Page 4

Item	Lotus #	S1	S1A/B	S2	S2 Fed	TC	TC Fed	TCS	TCS F	LHD	RHD	Description	Change Point Notes Bulletin Reference
12	046B1369		1	1	1							Tapping Plate	
12	KSTS1016		2	2	2							Screw - tapping Plate	
13	036B6030		4	4	4							Buffer - Bonnet and Engine Compartment Lids	25/32" OD x 9/16" long rubber
13	XUFB0520		2	2	2							Bolt - Buffer Bonnet	1 7/32" shaft, 15/16 thread length, 5/16" x 24 TPI threads
13	XUFB0524		2	2	2							Bolt - Engine Compartment Lid Buffer	
13	A05W1606		8	8	8							Washer - Buffer Mounting	3/32" thick, 7/8" OD, 13/32" ID
13	L05W0000		4	4	4							Washer - Buffer Mounting	7/64" thick split washer, 19/32" OD, 5/16" ID
13	AUFN050H		8	8	8							Nut - Buffer Mounting	
14	036B6006	2	2	2	2							Hinge - Engine Compartment Lid	
15	A036B1111	2	2	2	2							Engine Compartment Lid Hinge Front Gasket	
16	A036B1112	2	2	2	2							Engine Compartment Lid Hinge Rear Gasket	
16	AUFN040F	4	4	4	4							Nut - Hinge to Lid	7/16" head, 1/4" x 28 TPI
16	A04W1606	4	4	4	4							Washer - Hinge to Lid	
16	LUFN050F	2	2	2	2							Nut - Hinge to Body	5/16" x 24 TPI, 1/2" head
16	A05W1606	2	2	2	2							Washer - Hinge to Body	3/32" thick, 7/8" OD, 13/32" ID
17	046B1119	2	2	2	2							Grille - Vent Engine Compartment Lid	
17	PSTP0612 ?	8	8	8	8							Screw - Vent Grille to Lid	
17	036B6001	8	8	8	8							Nut - Vent Grille to Lid	
17	054B6020			1	1							Battery Clamp	
18	036M6005			1	1							Battery Clamp	
18	XUFB0532			1	1							Bolt - Battery Clamping	
18	115			1	1							Washer - Battery Clamping	
19	050B1207			1	1							Angle - Battery Mounting	
19	036B6033			2	2							Rivet - Battery Mounting Angle to Body	
20	054B6021			2	2							Pad - Battery Seating	
22	046B0272	1	1	1	1							Grille - Front	
22	046B1073	1										Grille - Rear	
22	046B1073		1									Grille - Rear	Up to Chassis No. 0541
22	A046B1073		1									Grille - Rear	From Chasis No. 0542
23	054B1073			1	1							Grille - Rear	
23	RSTS0808	8	8	8	8							Screw - Grille to Body	
23	036B6002	8	8	8	8							Nut - Grille to Body	



Lotus Europa S1/S2 Parts Manual - Section BB - Body - Attachments - Page 6

Item	Lotus #	S1	S1A/B	S2	S2 Fed	TC	TC Fed	TCS	TCS F	LHD	RHD	Description	Change Point Notes Bulletin Reference
23	A03W0806	8	8	8	8							Washer - Grille to Body	
23	046B6046	2										Oddie Fastener	
23	046B6044	2										Mounting Plate - Oddie Fastener	
23	046B6045	2										Clip - Oddie Fastener	
23	046B6047	2										Washer - Oddie Fastener	
23	036B6033	6										Rivet - Mounting Plate to Engine Compartment Lid	
24	046B6112		1	1	1							Lock - Engine Compartment Lid	
25	046B1367		1	1	1							Tab - Engine Compartment Lid Locking	
26	046B1366		1	1	1							Latch Plate - Engine Compartment Lid Locking	
26	PSTS0808		2	2	2							Screw - Latch Plate to Body	
26	A0320806		2	2	2							Washer - Latch Plate to Body	
26	423		2	2	2							Nut - Latch Plate to Body	
27	036B0544			1	1							Letter Plate L	
27	036B0545			1	1							Letter Plate O	
27	036B0546			1	1							Letter Plate T	
27	036B0547			1	1							Letter Plate U	
27	036B0548			1	1							Letter Plate S	
27	036B6024			17	17							Fixing Clip - Letter Plate	
28	054B1512			1	1							Europa Badge - English Speaking	
28	046B1201		1	1								Europa Badge - Continental	
28	036B0501A	1	1									Badge Indianapolis	
28	036B0501B	1	1									Badge - World Champions	
28	036B0502	2	2									Packing - Badge	
28	046B6027	2	2									Bezel	
28	046B6028	6	6									Clip	
29	054B1425			1	1							Badge S.2.	
30	A036B2073			1	1							Badge - World Champions (1963,1965,1968,1970)	
31	A036B6341			1	1							Bezel	
31	443			3	3							Clip - Bezel	
32	054B1271			2	2							Dust Shield - Front	
33	054B1271			2	2							Dust Shield - Rear	
33	036B6033			24	24							Rivet - Dust Shield Mounting	
33	A02W0603			48	48							Washer - Dust Shield Mounting	



Lotus Europa S1/S2 Parts Manual - Section BB - Body - Attachments - Page 8

Item	Lotus #	S1	S1A/B	S2	S2 Fed	TC	TC Fed	TCS	TCS F	LHD	RHD	Description	Change Point Notes Bulletin Reference
33	054B0599			1	1							Stud - Spare Wheel Clamping	SB - Service III 1970/3
33	036D6000			1	1							Nut - Spare Wheel Clamping	SB - Service III 1970/3
33	A054B1908											Washer (As Required S2 - S2 Federal)	
33	026B0372			2	2							Gromet	