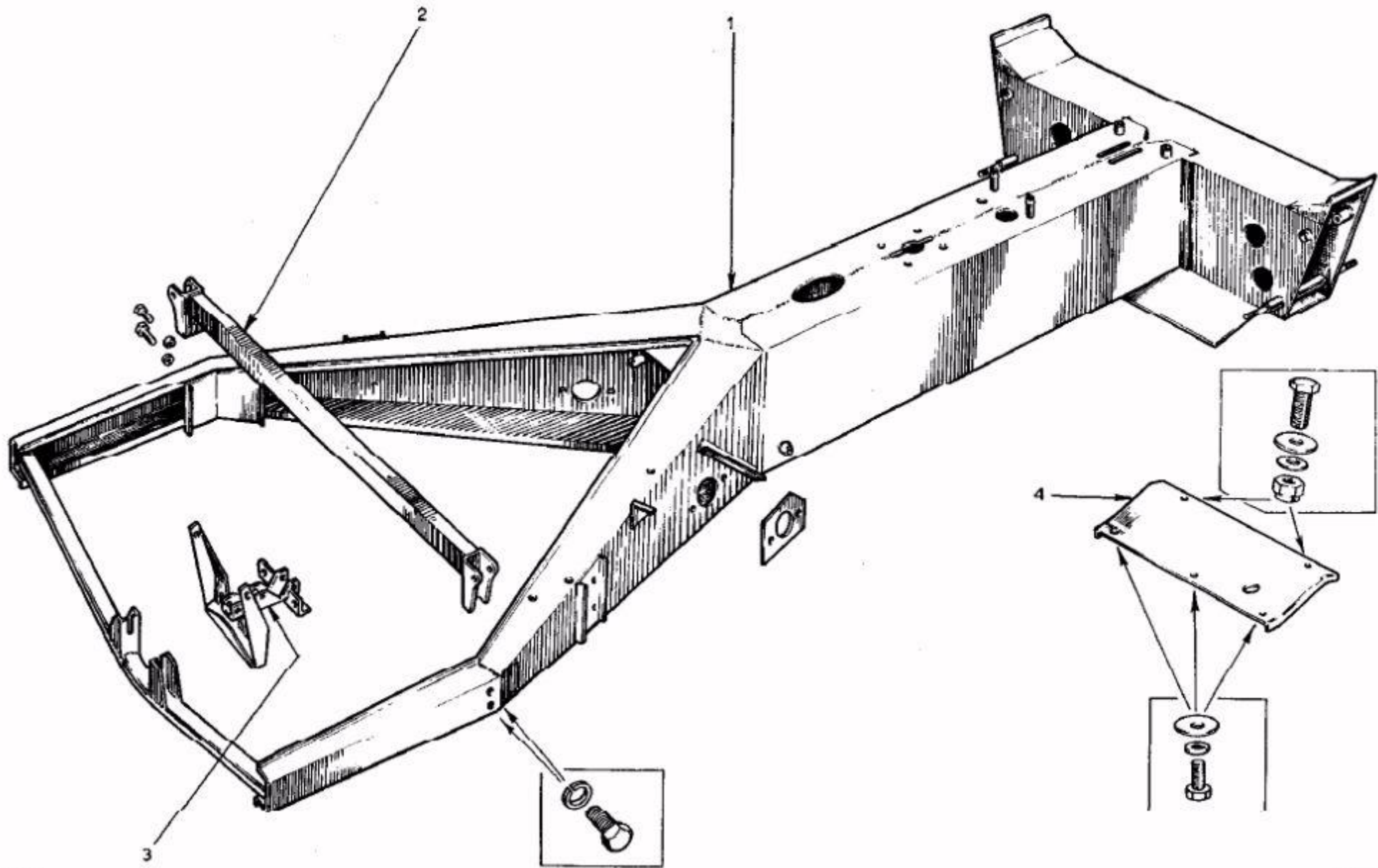


AA



0270

IC 46PL

Lotus Europa S1/S2 Parts Manual - Section A - Chassis - Page 2

Item	Lotus #	S1	S1A/B	S2	S2 Fed	TC	TC Fed	TCS	TCS F	LHD	RHD	Description	Change Point Notes Bulletin Reference
1	046A0701	1	1									Chassis Frame	
1	054A0701			1								Chassis Frame	
1	054A0701				1							Chassis Frame	
1	046A0702	1	1	1	1							Front Box - Chassis Frame	
1	054A0251			2	2							Reinforcing Plate	SB - Service III 1969/29
1	046A012	2	2	2	2							Fulcrum Pin - Front Wishbone Lower	
1	046A0709											Replaced by 054A0709	Up to Chassis No. 0050
1	A046A0709											Replaced by 054A0709	From Chassis No. 0051 to ?
2	054A0709	1	1	1	1							Cross Beam	From Chassis No. ?
2	XUFB0516	4	4	4	4							Bolt - Cross Beam to Chassis	
2	YUFN050F	4	4	4	4							Nut - Cross Beam to Chassis	
2	A050W1206	4	4	4	4							Washer - Cross Beam to Chassis	
2	046A0157											Replaced by 054A0157	
3	054A0157	1	1	1	1							Lower Link bracket	Up to Chassis No. 1626
3	XUFB0844	2	2	2	2							Bolt - Lower Link Bracket	From Chassis No. 1627
4	054A0201			1	1							Closing Plate - Chassis to Body	
4	XUFB0620			2	2							Bolt	
4	A06W2006			2	2							Washer	
4	YUFN060F			2	2							Nut	
4	XUFB0408			3	3							Bolt	
4	L04W0000			3	3							Washer	
4	A04W0905			3	3							Washer	1/32" thick, 1/2" OD, 1/4" ID
4	046B1177	1	1									Tie Tube LH	
4	046B1178	1	1									Tie Tube RH	
4	A07W1409	2	2									Washer - Tie tube/seat belt mounting	
4	046B6001	2	2									Eye Bolt - Tie tube/seat belt mounting	
4	A054B1908	2	2									Spacer - Inboard Sealt Belt Mounting	
4	XUFB0524	2	2									Bolt - Tie tube to chassis	
4	A05W1007	2	2									Washer - Tie tube to chassis	1/16" thick, 5/8" OD and 9/32" ID
4	LUFN050F	2	2									Nut - Tie tube to chassis	5/16" x 24 TPI, 1/2" head