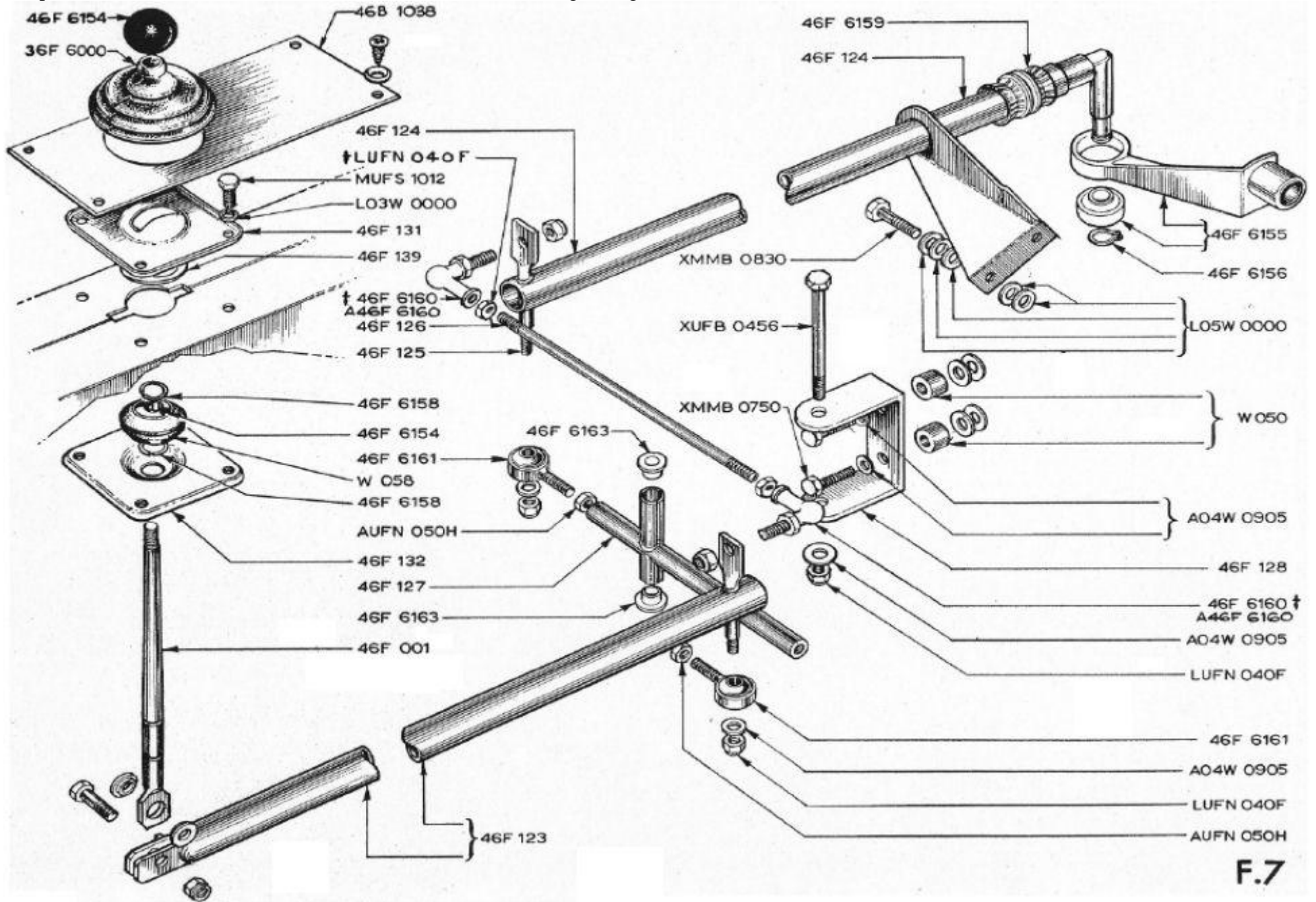


Lotus Europa S1 Parts Manual - Section F7 - Transmission - Shift Linkage - Page 2

Item	Lotus #	S1	S1A/B	S2	S2 Fed	TC	TC Fed	TCS	TCS F	LHD	RHD	Description	Change Point Notes Bulletin Reference
46F6154	46F6154	1	1									Shift Knob	
36F6000	36F6000	1	1									Gromet - Gear Lever	
46B1038	46B1038	1	1									Mounting Plate - Gear Lever Gromet	
46F124	46F124	1	1									Longitudinal Link - Rear	
LUFN040F	LUFN040F	2	2									Nut - Link Transverse	5/16" x 24 TPI, 1/2" head
MUFS1012	MUFS1012	4	4									Bolt - Mounting Plate Upper	
L03W0000	L03W0000	4	4									Washer - Mounting Plate Upper	
46F131	46F131	1	1									Mounting Plate Upper	
46F139	46F139	2	2									Spacer	
46F6160	46F6160	2	2									Ball joint - Transverse Link	Up to Chassis No. 0344 Replaced by A046F6160
A46F6160	A46F6160	2	2									Ball joint - Transverse Link	From Chassis No. 0345
46F126	46F126	1	1									Link - Transverse	
46F125	46F125	2	2									Mounting - Longitudinal Link to Ball Joint	
46F6158	46F6158	2	2									Snap Ring	
46F6161	46F6161	4	4									Ball Joint	Up to Chassis No. 2339 Replaced by A046F6161
W058	W058	1	1									Ball Joint Outer	
AUFN050H	AUFN050H	2	2									Nut - Relay Lever	
46F132	46F132	1	1									Mounting Plate Lower	
46F127	46F127	1	1									Relay Lever	
46F6163	46F6163	2	2									Bush - Relay Lever	
46F001	46F001	1	1									Gear Lever	
46F123	46F123	1	1									Longitudinal Link - Front	
46F6159	46F6159	1	1									Bush - Longitudinal Link	
XMMB0830	XMMB0830	2	2									Bolt - Longitudinal Link to Gearbox Mounting	
XUFB0456	XUFB0456	1	1									Bolt - Relay Lever to Bracket - Relay Lever Mounting	3 1/2" long, 7/8" thread length, 1/4" x 28 TPI, 7/16" head
XMMB0750	XMMB0750	2	2									Bolt - Bracket - Relay Lever Mounting to Enging	
46F6155	46F6155	1	1									Cross Shaft Lever and Rose Joint	
46F6156	46F6156	1	1									Circlip	
L05W0000	L05W0000	10	10									Washer - Longitudinal Link to Gearbox Mounting	7/64" thick split washer, 19/32" OD, 5/16" ID
W050	W050	2	2									Spacer	



Lotus Europa S1 Parts Manual - Section F7 - Transmission - Shift Linkage - Page 4

Item	Lotus #	S1	S1A/B	S2	S2 Fed	TC	TC Fed	TCS	TCS F	LHD	RHD	Description	Change Point Notes Bulletin Reference
A04W0905	A04W0905	5	5									Washer	1/32" thick, 1/2" OD, 1/4" ID
46F128	46F128	1	1									Bracket - Relay Lever Mounting	
LUFN040F	LUFN040F	3	3									Nut	5/16" x 24 TPI, 1/2" head