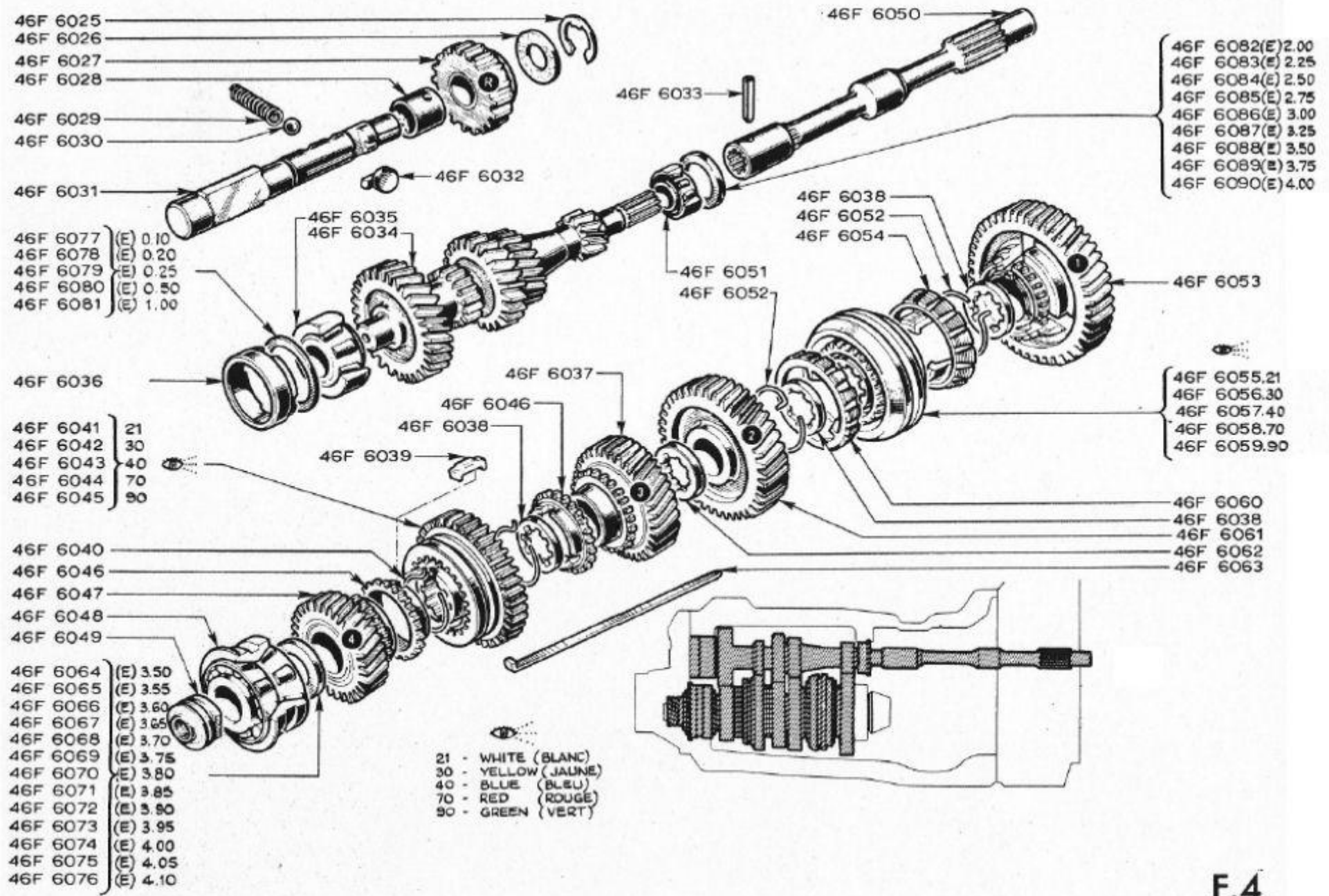


Lotus Europa S1 Parts Manual - Section F4 - Transmission - Gear Set - Page 2

Item	Lotus #	S1	S1A/B	S2	S2 Fed	TC	TC Fed	TCS	TCS F	LHD	RHD	Description	Change Point Notes Bulletin Reference
46F6025	46F6025	1	1									Circlip	
46F6026	46F6026	1	1									Thrust Washer	
46F6027	46F6027	1	1									Reverse Gear	
46F6028	46F6028	1	1									Bush - Reverse Gear	
46F6029	46F6029	1	1									Selector Spring (Type 336-08 - 336-26 & 336-46)	
46F6030	46F6030	1	1									Selector Ball - 8 mm. - Reverse Gear Shaft (Type 336-08 - 336-26 & 336-46)	
46F6031	46F6031	1	1									Shaft - Reverse Gear (Type 336-08 - 336-26 - & 336-46)	
46F6077	46F6077											Shim 0.10 mm. - Optional (As Required)	
46F6078	46F6078											Shim 0.20 mm. - Optional (As Required)	
46F6079	46F6079											Shim 0.25 mm. - Optional (As Required)	
46F6080	46F6080											Shim 0.50 mm. - Optional (As Required)	
46F6081	46F6081											Shim 1.00 mm. - Optional (As Required)	
46F6036	46F6036	1	1									Retaining Ring	
46F6041	46F6041	1	1									Synchroniser - 3rd. & 4th. Speed (White)	
46F6042	46F6042	1	1									Synchroniser - 3rd. & 4th. Speed (Yellow)	
46F6043	46F6043	1	1									Synchroniser - 3rd. & 4th. Speed (Blue)	
46F6044	46F6044	1	1									Synchroniser - 3rd. & 4th. Speed (Red)	
46F6045	46F6045	1	1									Synchroniser - 3rd. & 4th. Speed (Green)	
46F6040	46F6040	2	2									Spring Clip - 3rd. & 4th. Speed Synchroniser	
46F6046	46F6046	2	2									Synchroniser Ring - 3rd. & 4th. Speed	
46F6047	46F6047	1	1									Gear - 4th. Speed	
46F6048	46F6048	1	1									Bearing	
46F6049	46F6049	1	1									Nut - Pinion	
46F6064	46F6064											Shim 3.50 mm. (Optional - As Required)	
46F6065	46F6065											Shim 3.55 mm. (Optional - As Required)	
46F6066	46F6066											Shim 3.60 mm. (Optional - As Required)	
46F6067	46F6067											Shim 3.65 mm. (Optional - As Required)	
46F6068	46F6068											Shim 3.70 mm. (Optional - As Required)	
46F6069	46F6069											Shim 3.75 mm. (Optional - As Required)	
46F6070	46F6070											Shim 3.80 mm. (Optional - As Required)	
46F6071	46F6071											Shim 3.85 mm. (Optional - As Required)	
46F6072	46F6072											Shim 3.90 mm. (Optional - As Required)	



Lotus Europa S1 Parts Manual - Section F4 - Transmission - Gear Set - Page 4

Item	Lotus #	S1	S1A/B	S2	S2 Fed	TC	TC Fed	TCS	TCS F	LHD	RHD	Description	Change Point Notes Bulletin Reference
46F6073	46F6073											Shim 3.95 mm. (Optional - As Required)	
46F6074	46F6074											Shim 4.00 mm. (Optional - As Required)	
46F6075	46F6075											Shim 4.05 mm. (Optional - As Required)	
46F6076	46F6076											Shim 4.10 mm. (Optional - As Required)	
46F6032	46F6032	1	1									Guide (Type 336-08 - 336-26 & 336-46)	
46F6035	46F6035	1	1									Bearing - Primary Shaft	
46F6034	46F6034	1	1									Primary Shaft (Type 336-08 - 336-26 & 336-46)	
46F6039	46F6039	3	3									Keys - 3rd. & 4th. Speed Synchroniser	
46F6038	46F6038	3	3									Thrust Washer	
46F6037	46F6037	1	1									Gear - 3rd. Speed	
46F6052	46F6052	2	2									Spring Clip - Synchroniser - 1st. & 2nd. Speed	
46F6054	46F6054	1	1									Synchroniser Ring - 1st. Speed	
46F6033	46F6033	1	1									Tension Pin	
46F6050	46F6050	1	1									Drive Shaft	
46F6051	46F6051	1	1									Bearing - Primary Shaft	
46F6082	46F6082											Shim 2.00 mm. - Optional (As Required)	
46F6083	46F6083											Shim 2.25 mm. - Optionall (As Required)	
46F6084	46F6084											Shim 2.50 mm. - Optionall (As Required)	
46F6085	46F6085											Shim 2.75 mm. - Optionall (As Required)	
46F6086	46F6086											Shim 3.00 mm. - Optionall (As Required)	
46F6087	46F6087											Shim 3.25 mm. - Optionall (As Required)	
46F6088	46F6088											Shim 3.50 mm. - Optionall (As Required)	
46F6089	46F6089											Shim 3.75 mm. - Optionall (As Required)	
46F6090	46F6090											Shim 4.00 mm. - Optionall (As Required)	
46F6053	46F6053	1	1									Gear - 1st. Speed	
46F6055	46F6055	1	1									Synchroniser Hub - (White) (Type 336-08 - 336-26 & 336-46)	
46F6056	46F6056	1	1									Synchroniser Hub - (Yellow) (Type 336-08 - 336-26 & 336-46)	
46F6057	46F6057	1	1									Synchroniser Hub - (Blue) (Type 336-08 - 336-26 & 336-46)	
46F6058	46F6058	1	1									Synchroniser Hub - (Yellow) (Type 336-56)	
46F6059	46F6059	1	1									Synchroniser Hub - (Blue) (Type 336-56)	
46F6060	46F6060	1	1									Synchroniser Ring - 2nd. Speed	

