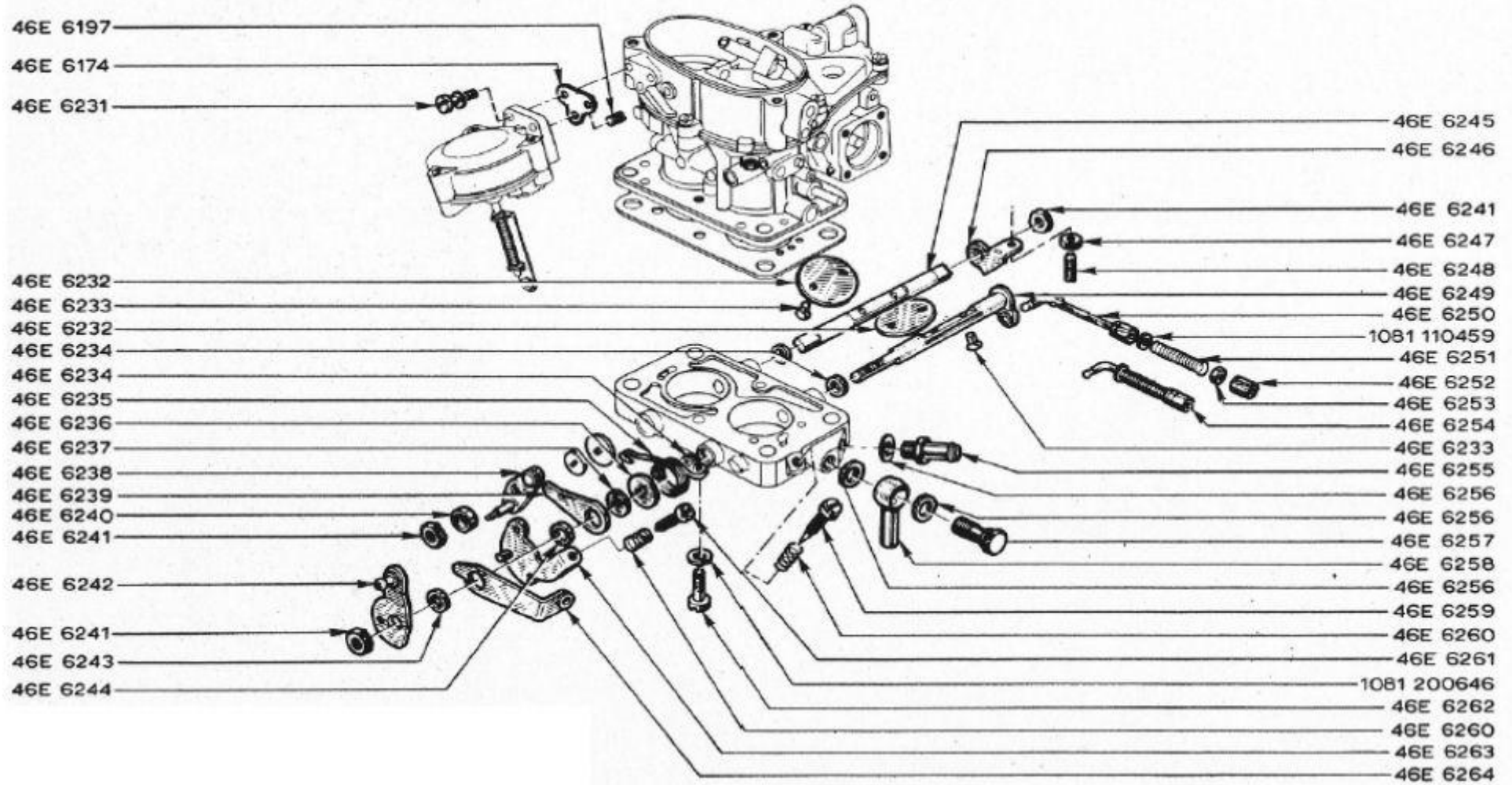


Lotus Europa S1 Parts Manual - Section E13 - Engine - Carburetor Interior - Page 2

Item	Lotus #	S1	S1A/B	S2	S2 Fed	TC	TC Fed	TCS	TCS F	LHD	RHD	Description	Change Point Notes Bulletin Reference
46E6197	46E6197	1	1									Jet - 80	
46E6174	46E6174	2	2									Screw - Vacuum Control to Cover	
46E6231	46E6231	1	1									Carburettor Gasket - Vacuum Control to Cover (697-04)	
46E6232	46E6232	1	1									Throttle Valve	
46E6233	46E6233	2	2									Screw	Up to Eng. No. 0250 excluding 207 - 219 - 242 - 245 - 249
46E6234	46E6234	2	2									Spacer bush	
46E6235	46E6235	1	1									Return Spring	
46E6236	46E6236	2	2									Washer	
46E6237	46E6237	2	2									Washer	
46E6238	46E6238	1	1									Stop lever - Second Stage	
46E6239	46E6239	1	1									Intermediate Lever	
46E6240	46E6240	1	1									Spacer Bush	
46E6241	46E6241	1	1									Nut - Throttle Shaft	
46E6242	46E6242	1	1									Lever - Throttle Control	
46E6243	46E6243	1	1									Spacer Bush - 10.9 x 18.1 x 2 mm.	
46E6244	46E6244	1	1									Spacer Bush - 11 x 8 x 3 mm.	
46E6245	46E6245	1	1									Shaft - Throttle valve	
46E6246	46E6246	1	1									Stop Lever	
46E6247	46E6247	1	1									Lock Nut - Throttle Stop	
46E6248	46E6248	1	1									Adjustment Screw - Throttle Stop	
46E6249	46E6249	1	1									Shaft with lever - throttle valve	
46E6250	46E6250	1	1									Link - Accelerator pump	Up to Eng. No. 0250 excluding 207 - 219 - 242 - 245 - 249
108110459	108110459	1	1									Washer - Accelerator Pump Link	
46E6251	46E6251	1	1									Spring - Accelerator pump link	
46E6252	46E6252	1	1									Nut - Accelerator pump link	
46E6253	46E6253	2	2									Nut - Accelerator pump link	
46E6254	46E6254	1	1									Link Assembly - Accelerator pump	Up to Eng. No. 0250 excluding 207 - 219 - 242 - 245 - 249
46E6255	46E6255	1	1									Connector - Vacuum Hose	
46E6256	46E6256	1	1									Washer	
46E6257	46E6257	1	1									Banjo Bolt	



Lotus Europa S1 Parts Manual - Section E13 - Engine - Carburetor Interior - Page 4

Item	Lotus #	S1	S1A/B	S2	S2 Fed	TC	TC Fed	TCS	TCS F	LHD	RHD	Description	Change Point Notes Bulletin Reference
46E6258	46E6258	1	1									Connector - banjo	
46E6259	46E6259	1	1									Idle Screw - Non-Emission	
46E6260	46E6260	1	1									Spring - Idle Screw - Non_Emission	
46E6261	46E6261	1	1									Screw - Throttle Stop	
1081200646	1081200646	2	2									Washer - Throttle Block to Carburetter Body	
46E6262	46E6262	2	2									Screw - Throttle Block to Carburetter Body	
46E6263	46E6263	1	1									Stop Lever - Idle Adjustment	
46E6264	46E6264	1	1									Lever - Choke Operating Link	Up to Eng. No. 0391