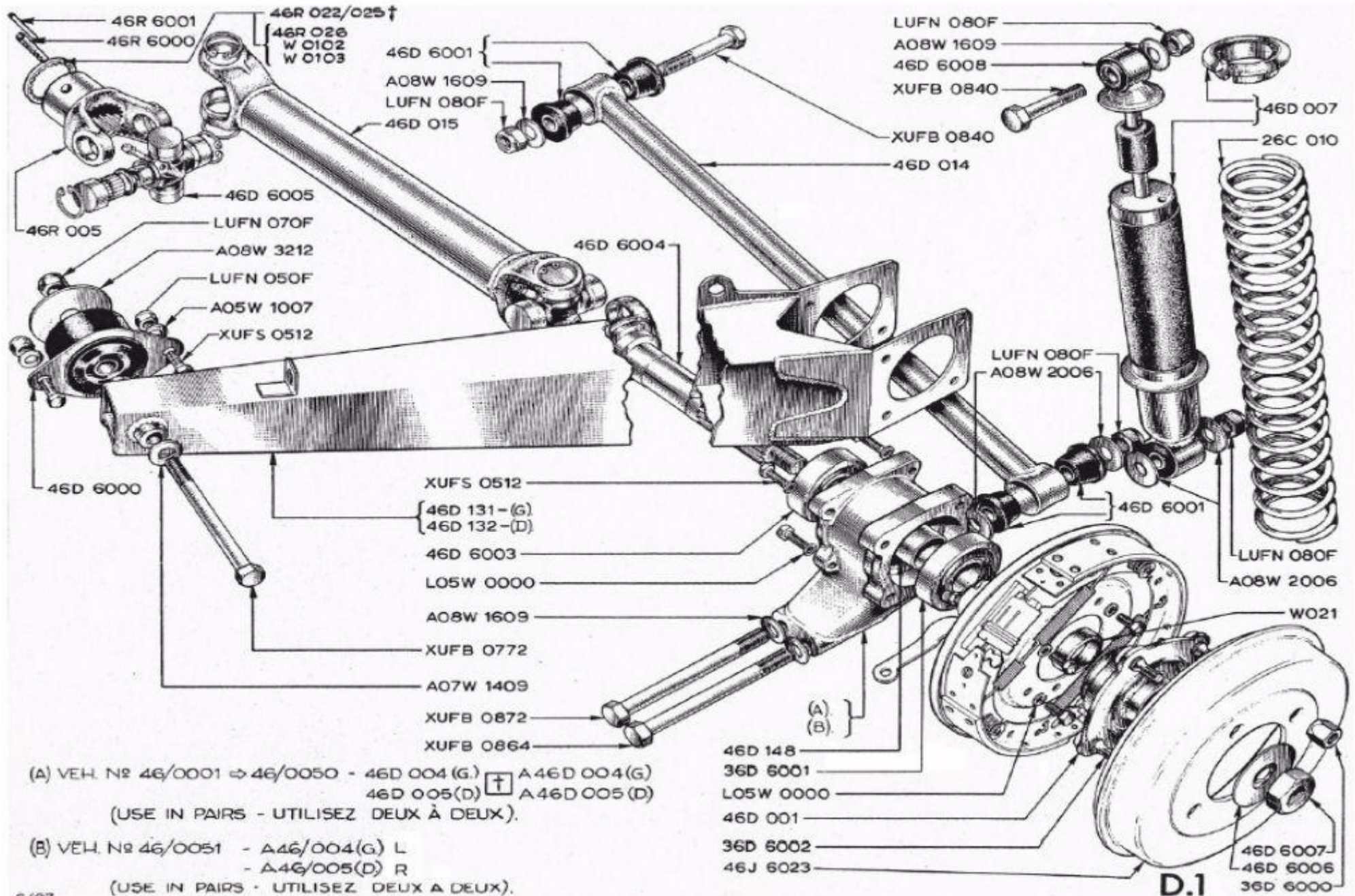


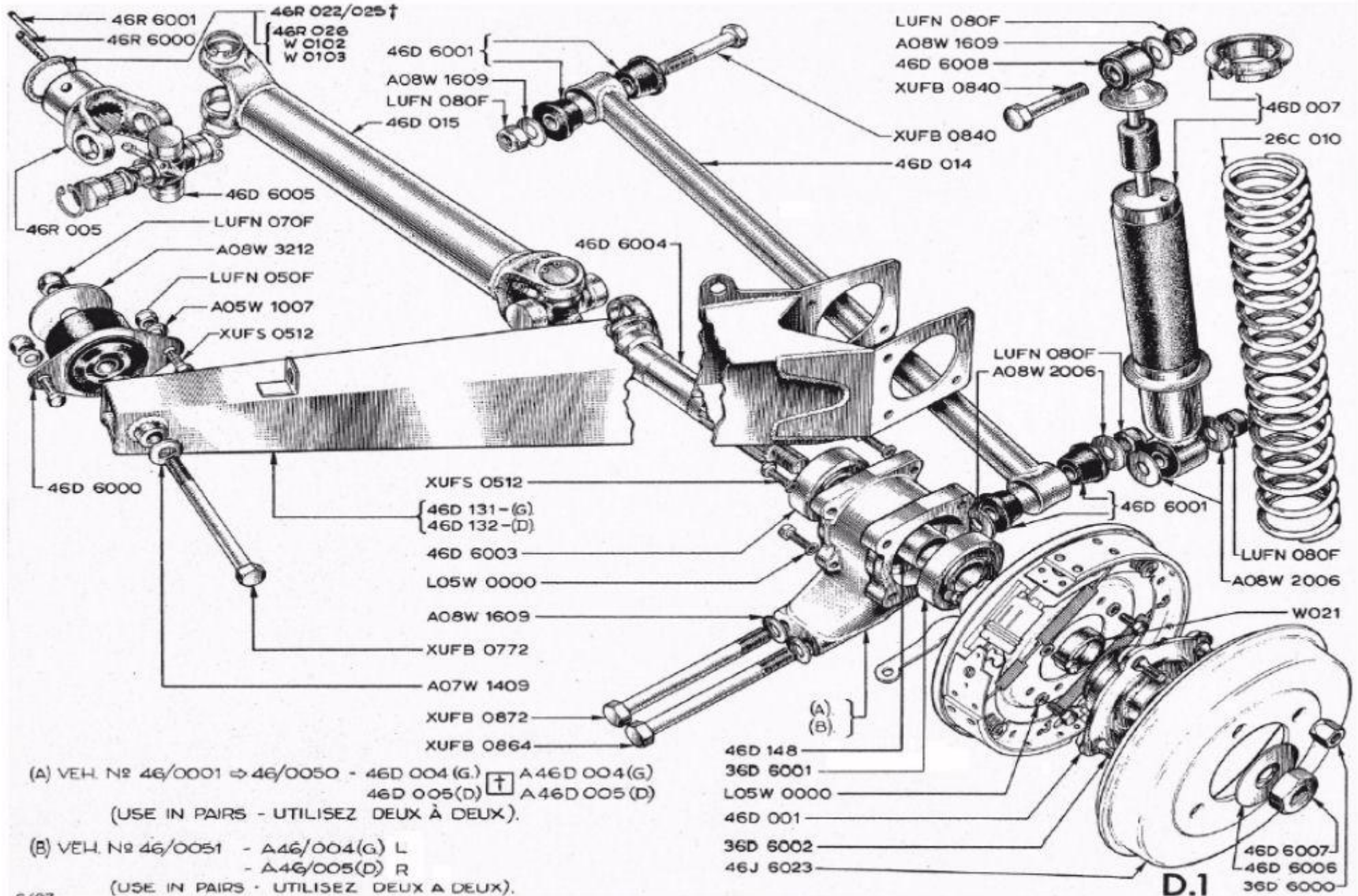
Lotus Europa S1 Parts Manual - Section D1 - Rear Suspension - Page 2

Item	Lotus #	S1	S1A/B	S2	S2 Fed	TC	TC Fed	TCS	TCS F	LHD	RHD	Description	Change Point Notes Bulletin Reference
46R6001	46R6001	2	2									Tension Pin - Inner - Drive Shaft to Final Drive	
46R6000	46R6000	2	2									Tension Pin - Outer - Dive Shaft to Gearbox	
46R026	46R026											Spacer Ring (3rd Oversize) (As Required)	
W0102	W0102											Shim 0.005 ins. (All - As Required)	
W0103	W0103											Shim 0.015 ins. (All - As Required)	
46R005	46R005	4	4									Yoke - Inboard Drive Shaft	
46D6005	46D6005	4	4									Universal joint	
LUFN070F	LUFN070F	2	2									Nut - Nyloc or Stover - Resilient Mounting to Radius Arm	7/16" x 20 TPI, 11/16" head
A08W3212	A08W3212	2	2									Washer - Resilient Mounting to Radius Arm	
LUFN050F	LUFN050F	4	4									Nut - Resilient Mounting to Chassis	5/16" x 24 TPI, 1/2" head
A05W1007	A05W1007	4	4									Washer - Resilient Mounting to Chassis	1/16" thick, 5/8" OD and 9/32" ID
XUFS0512	XUFS0512	4	4									Bolt - Resilient Mounting to Chassis	3/4" long, all thread, 5/16" x 24 TPI, 1/2" head
046D6000	046D6000	2	2									Resilient Mounting (Metalastic)	
XUFS0512	XUFS0512	8	8									Bolt - Radius Arm to Wheel Bearing Housing	3/4" long, all thread, 5/16" x 24 TPI, 1/2" head
46D131-(G)	46D131-(G)	1	1									Radius Arm LH	
46D132-(D)	46D132-(D)	1	1									Radius Arm RH	
46D6003	46D6003	2	2									Wheel Bearing - Rear Inner	
L05W0000	L05W0000	8	8									Washer - Radius Arm to Wheel Bearing Housing	7/64" thick split washer, 19/32" OD, 5/16" ID
A08W1609	A08W1609	4	4									Washer - Wheel Bearing Housing to Lower Link	1/16" thick, 1" OD, 1/2" ID
XUFB0772	XUFB0772	2	2									Bolt - Radius Arm to Resisient Mounting	
A07W1409	A07W1409	2	2									Washer - Radius Arm to Resisient Mounting	
XUFB0872	XUFB0872	2	2									Bolt - Wheel Bearing Housing to Lower Link	Length 4 1/2", thread length 1 1/4", 1/2" x 20 TPI, head 3/4"
XUFB0864	XUFB0864	2	2									Bolt - Wheel Bearing Housing to Damper	Length 4", thread length 1 3/8", 1/2" x 20 TPI, head 3/4"
046D004(G)	046D004(G)	1										Rear Wheel Bearing Housing LH	Up to Chassis No. 0050
046D005(D)	046D005(D)	1										Rear Wheel Bearing Housing RH	Up to Chassis No. 0050
A046D004(G)	A046D004(G)	1	1									Rear Wheel Bearing Housing LH	From Chassis No. 0051
A046D005(D)	A046D005(D)	1	1									Rear Wheel Bearing Housing RH	Up to Chassis No. 0050
46D6001	46D6001	8	8									Bush - Lower Link	29/32" long



Lotus Europa S1 Parts Manual - Section D1 - Rear Suspension - Page 4

Item	Lotus #	S1	S1A/B	S2	S2 Fed	TC	TC Fed	TCS	TCS F	LHD	RHD	Description	Change Point Notes Bulletin Reference
A08W1609	A08W1609	2	2									Washer - Lower Link to Lower Link bracket	1/16" thick, 1" OD, 1/2" ID
LUFN080F	LUFN080F	2	2									Nut - Nyloc or Stover - Lower Link to Lower Link bracket	1/2" x 20 TPI, 3/4" head
46D015	46D015	2	2									Intermediate Drive Shaft	
46D6004	46D6004	2	2									Outboard Drive Shaft (Rear Stub Axle)	
LUFN080F	LUFN080F	2	2									Nut - Nyloc or Stover - Damper to Cross Beam	1/2" x 20 TPI, 3/4" head
A08W1609	A08W1609	2	2									Washer - Damper to Cross Beam	1/16" thick, 1" OD, 1/2" ID
XUFB0840	XUFB0840	2	2									Bolt - Damper to Cross Beam	3/4" head, 2 1/2" long, 1 1/4" long threads. 1/2" x 20 TPI
46D014	46D014	2	2									Lower Link	
46D007	46D007	2	2									Rear Damper	
26C010	26C010	2	2									Road Spring - Rear	
LUFN080F	LUFN080F	2	2									Nut - Nyloc or Stover - Wheel Bearing Housing to Damper	1/2" x 20 TPI, 3/4" head
A08W2006	A08W2006	4	4									Washer - Wheel Bearing Housing to Damper	1/16" thick, 1 1/2" OD, 1/2" ID
46D148	46D148	2	2									Spacer - Wheel Bearing to Wheel Bearing	
36D6001	36D6001	2	2									Wheel Bearing - Rear Outer	
L05W0000	L05W0000	8	8									Washer - Brake Backing Plate to Wheel Bearing Housing	7/64" thick split washer, 19/32" OD, 5/16" ID
46D001	46D001	2	2									Rear Hub	
36D6002	36D6002	8	8									Wheel Stud	Thread: 3/8-24, Knurl Dia.: .519", Length: 1.237", Shoulder Length: .455"
46J6023	46J6023	2	2									Brake Drum - Rear	
W021	W021	2	2									Spacer - Hub to Wheel Bearing	
46D6007	46D6007	2	2									Hub Retaining Nut	
46D6006	46D6006	2	2									Lock Washer	
36D6000	36D6000	4	4									Wheel Nut	Thread: 3/8-24
46R022	46R022											Spacer Ring (0.405 ins. Undersize) (As Required)	
46R023	46R023											Spacer Ring (0.410 ins. Undersize) (As Required)	
46R024	46R024											Spacer Ring (1st Oversize) (As Required)	
46R025	46R025											Spacer Ring (2nd Oversize 0.420 ins) (As Required)	
L05W0000	L05W0000	8	8	8	8	8	8	8	8			Washer - Split - Radius Arm to Wheel Bearing Housing	7/64" thick split washer, 19/32" OD, 5/16" ID



Lotus Europa S1 Parts Manual - Section D1 - Rear Suspension - Page 6

Item	Lotus #	S1	S1A/B	S2	S2 Fed	TC	TC Fed	TCS	TCS F	LHD	RHD	Description	Change Point Notes Bulletin Reference
XUFS0512	XUFS0512	8	8	8	8	8	8	8	8			Bolt - Backing Plate to Wheel Bearing Housing	3/4" long, all thread, 5/16" x 24 TPI, 1/2" head