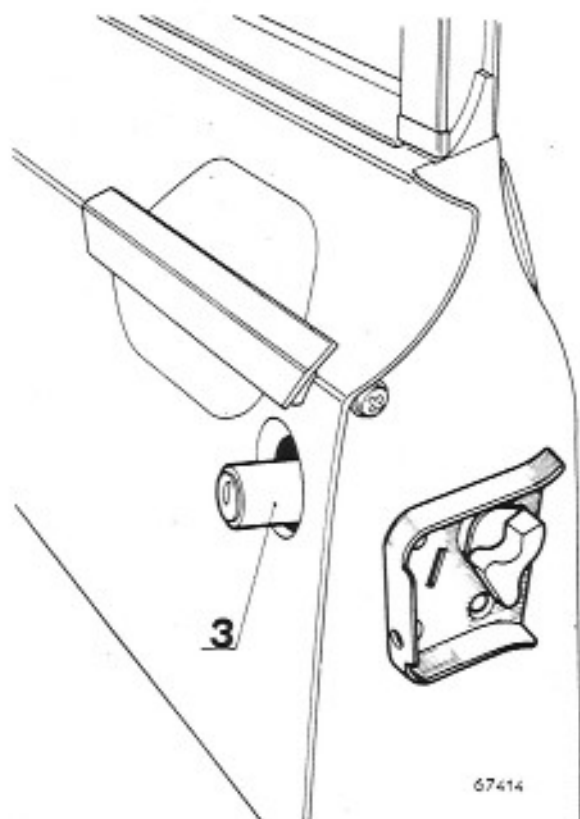
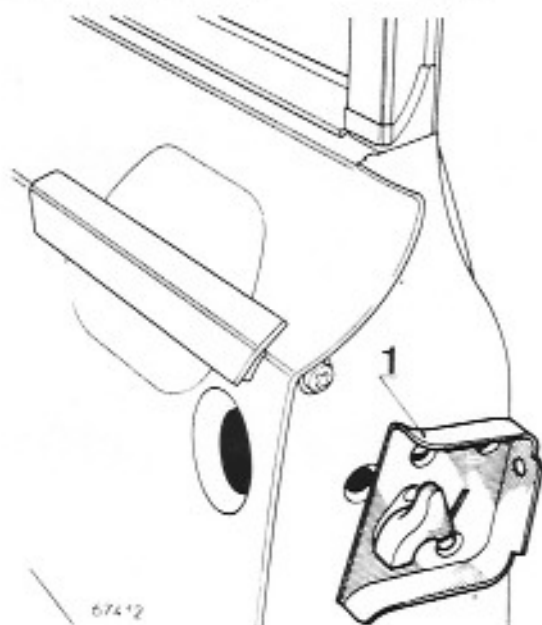
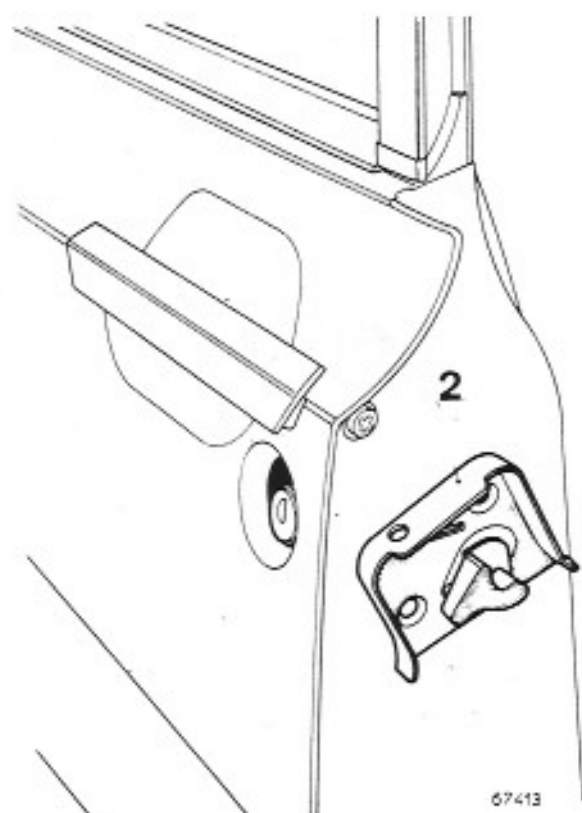
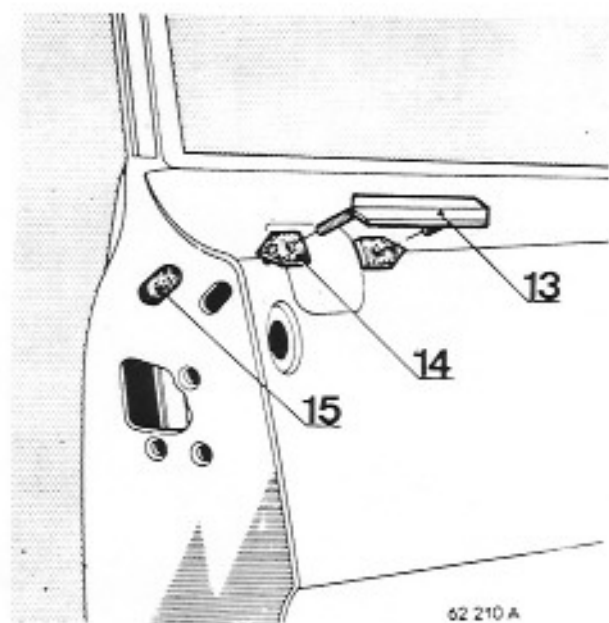
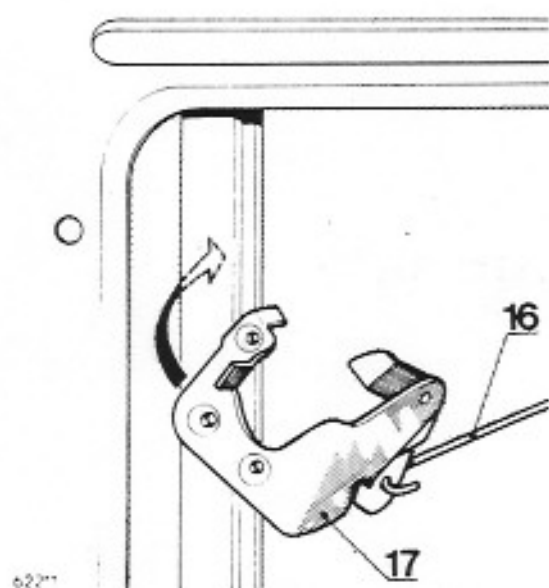


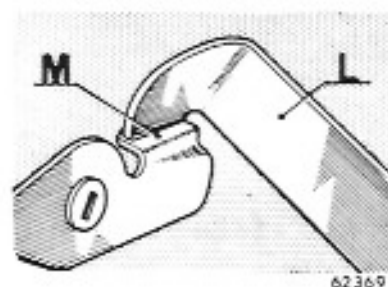
FRONT DOOR LOCKSRefitting

Fit :

- the outer door handle (13) together with its seal (14).
- The lock, engaging the plunger in the door aperture. Allow to hang inside (1) and then swing the lock through half a turn (2), swing it through a quarter of a turn in the opposite direction to place the plunger in its location (3).

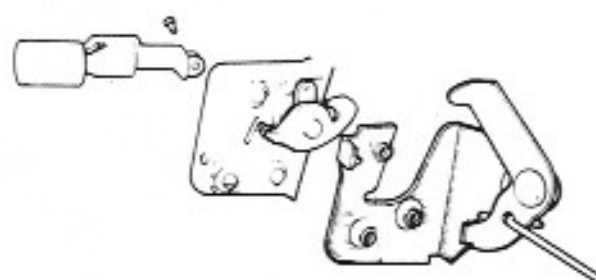


62277

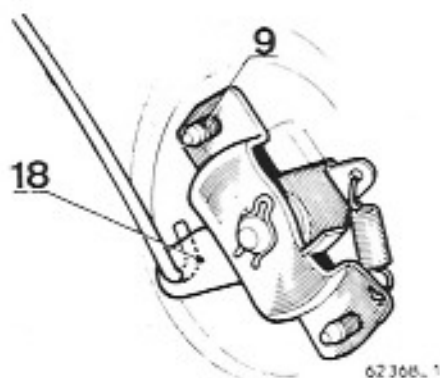


62369

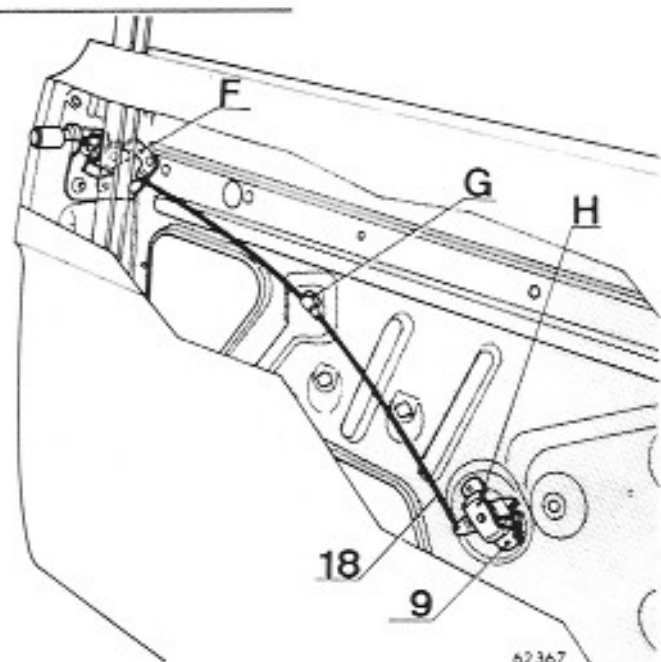
- Fit the inner plate, passing it behind the window slide (arrow), lever (L) comes over lug (M).
- Secure the lock and plate together.



62370



62368.1

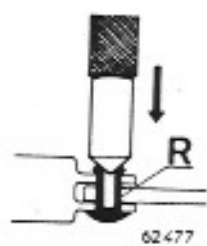


62367

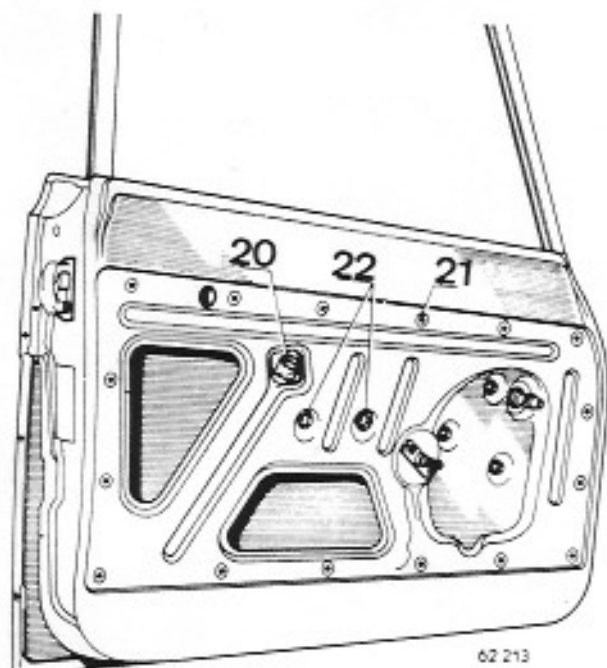
- Fit the remote control to the inside door handle hinge (18). The plate is secured by two screws (9).
- Fit clip (G) to the door body.
- Ensure that the mechanism operates correctly.
- Tighten the screws (9).
- The plunger is secured to the lock by a small hollow rivet 3 mm (1/8") in diameter R.
- Stick the klegetel plastic panel to the door body.



62371



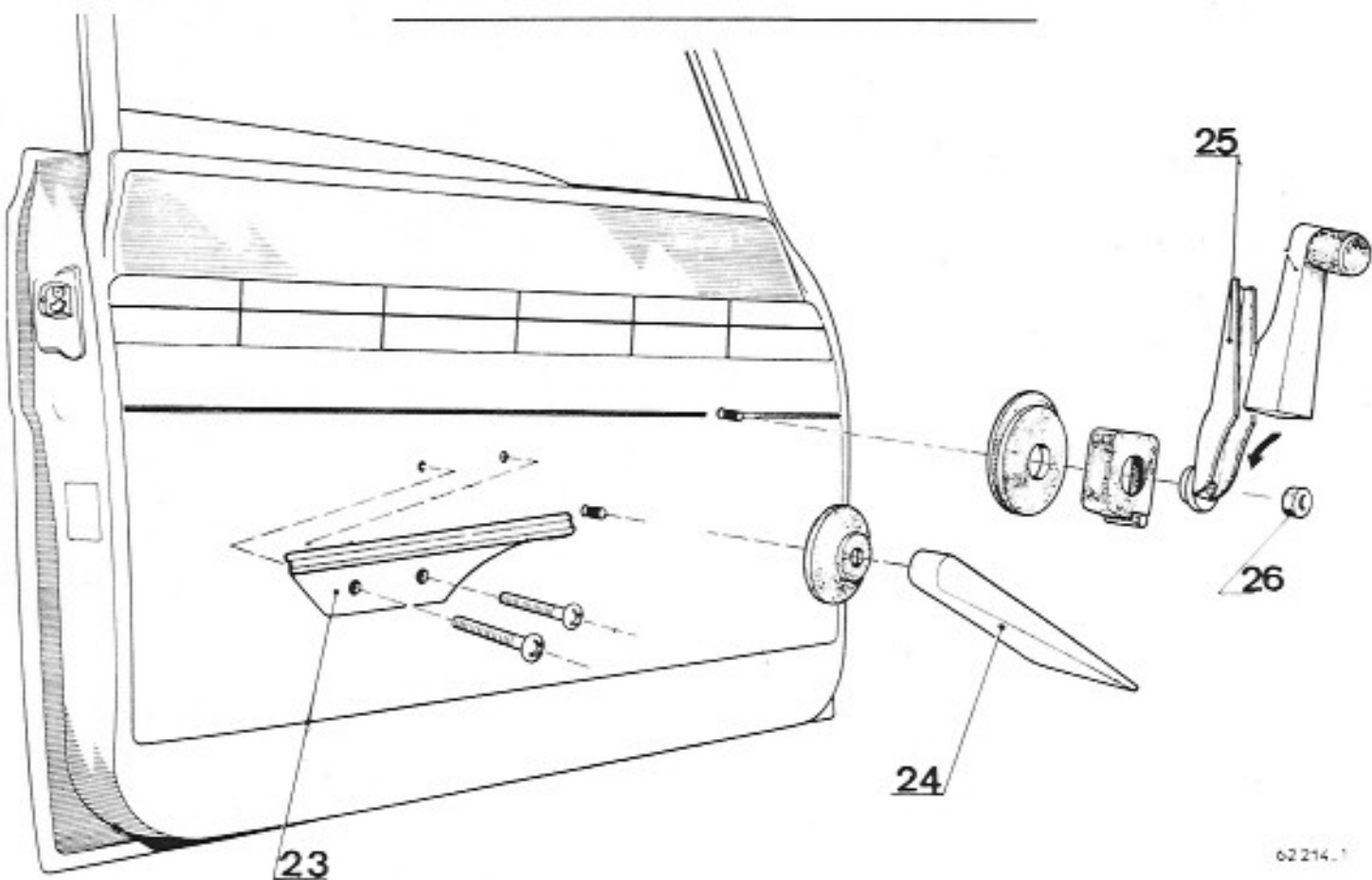
62477



- Fit the sealing ring on plunger (19), the sealing cap on the remote control clip (20), caps (21) on the clips which secure the door trim panel.

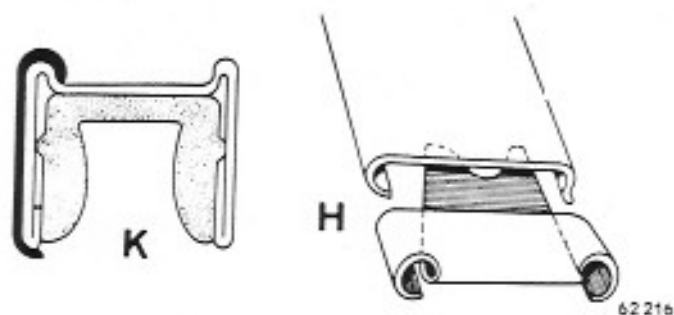
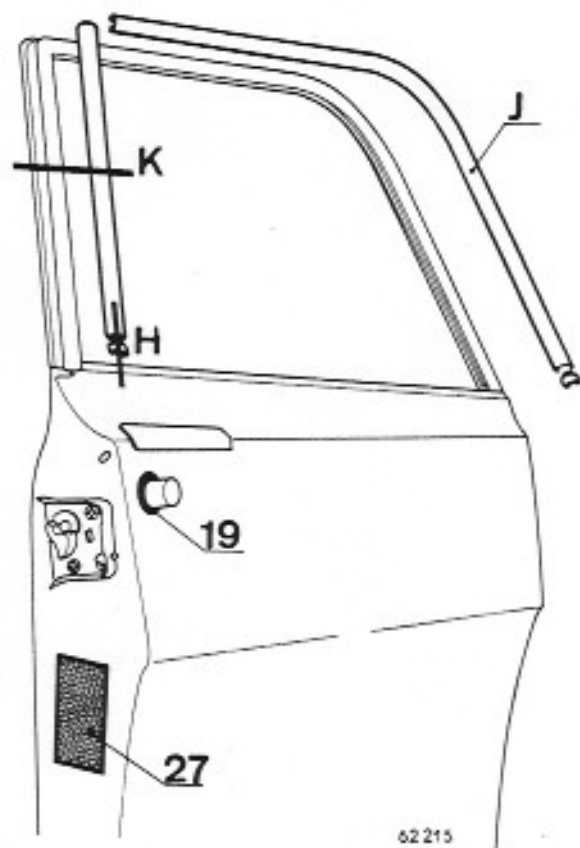
- Fit the two "CHAMPION" nuts which secure arm rest (22).

- Seal by means of plugs of 503 compound before placing the spacers under the arm rests.



- Fit the trim panel, the arm rest (23), the lower inside door handle (24), the window winder (25)

which is secured to its shaft by nut (26).



- Fit the door frame embellishers as follows :
- Fit clips (H) to the mouldings, fit moulding (J) followed by moulding (K).
- Fit the reflector panel to the door end (27). It is self adhesive.

## ADJUSTING THE DOOR LOCKS

### Findings

The front door locks not operating correctly.

### Causes

- Insufficient travel on the remote control casing.
- Distortion of the inner plate following sticking of the lock bolt.
- Seized tumblers.
- Incorrect remote control casing adjustment.

### Remedy

In production,

From manufacturing number 162 877 onwards :

- the link on the remote control casing has been modified so that the travel is longer.
- the inner plate has been stiffened. It has been increased in thickness 2 mm (5/64").

### Checking the front door tumbler operation :

- a - Insert each of the keys into each tumbler one after the other.
- b - Operate each tumbler 4 or 5 times with each of the keys.
- c - If any of the tumblers is stiff :
  - remove the keys
  - inject 2 to 3 cc of trichlorethylene or paraffin (kerosine) into each tumbler.
  - blow out each tumbler with compressed air.
  - lubricate the tumblers with SEBACATE D'OC-TYLE.
- d - If the tumbler is still stiff to operate, dismantle by carrying out one of the operations involved in removing a lock. Then check to ensure that :
  - the tumbler location has no burrs or foreign bodies in it.
  - the tumbler plate location in the tumbler body has no burrs on it.
  - if necessary replace the tumbler.

Lubrication :

## A) - Lubricating the lock spring :

- remove the lock upper securing bolts.
- unscrew between 1 to 2 mm ( $3/64$  to  $5/64$ ") the two lower securing screws.
- pull back the backplate, guide-striker plate assembly from the door body.

- Grease the lock spring with an oil can.

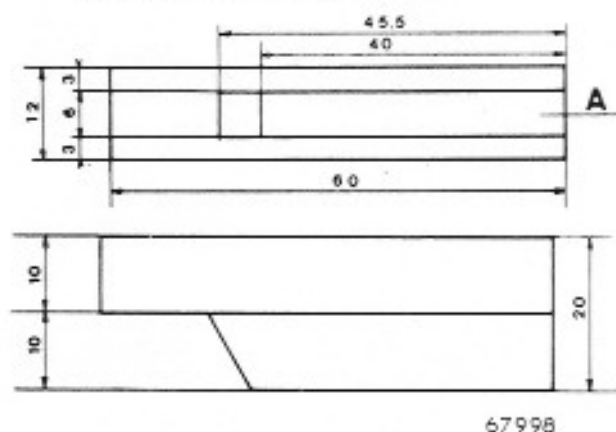
B) - Retighten the three screws which secure the lock.

C) - Grease the lock bolt shaft by inserting light machine oil from the exterior between the guide plate-striker plate and the bolt.

## LOCK OPERATION : CHECK THAT THE DOOR OPENS

## a) - Plunger button control :

- Push in the plunger button



- Check with the 20 mm ( $25/32$ ") gauge (A) whether the clearance between the upper flange on the guide-striker plate (B) and the end of the lock bolt (C) is sufficient.

If the gauge will not enter, there are two possible causes :

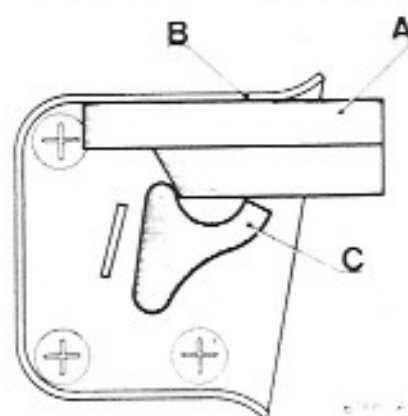
1) That the end of the bolt is making contact with the plate (D). If this is the case, replace the lock.

2) That the plunger button movement is insufficient, the end of the bolt is not making contact with stop (D) on the plate, but the end of the plunger button is making contact with the idle lever on the remote control.

In this case :

- Check the overall length of the remote control link, it should be  $499 \text{ mm} \pm 0.5$  ( $19 \frac{5}{8} \text{''} \pm 1/64$ ")
- Replace it if necessary.

3 mm	( $1 \frac{1}{8}$ ")	20 mm	( $25/32$ ")
6 mm	( $15/64$ ")	40 mm	( $1 \frac{9}{16}$ ")
10 mm	( $25/64$ ")	45.5 mm	( $1 \frac{25}{32}$ ")
12 mm	( $15/32$ ")	60 mm	( $2 \frac{3}{8}$ ")



- Check the condition of the lower plate, and replace it if necessary.

- Adjust the remote control casing.

NOTE - The 20 mm ( $25/32$ ") gauge is to be made locally by following the sketch shown here.

B - Inside door handle control.

- Place the inside door handle in the "Open" position.

- Check the clearance between the upper flange (B) on the guide plate-striker plate, and the end (C) of the bolt, by means of 20 mm ( $25/32$ ") gauge (A).

If the gauge does not enter, there are three possible reasons :

1) If the remote control casing is incorrectly adjusted :

- remove the door trim panel.
- loosen the remote control casing securing screws and swing it in the direction of 'opening the door by means of the inside door handle'.
- retighten the screws.

2) If the remote control travel is insufficient. Replace the casing by a modified remote control casing  
No 8 557 682 for the left hand side  
No 8 557 683 for the right hand side

3) Distortion of the inner lock plate following lock bolt seizure.

Replace the plate by a plate 2 mm (5/64") thick.  
No 8 558 409 for the right hand side  
No 8 558 410 for the left hand side

---

### Checking the position of the striker plate.

- Hold the plunger button in the open position.
- Bring the striker plate guide opposite the striker plate.
- Ensure that the flanges on the striker plate guide do not make contact with the striker plate and that the height of the door is correct. If it is not adjust the door at the hinges and then centralize the striker plate with reference to the flanges on the striker plate guide.

- To adjust the striker plate, unscrew the screws until the striker plate moves, but stiffly. Close the door while holding the plunger button in the open position in order to automatically centralize the striker plate in the striker plate guide. Tighten the striker plate screws.

### Checking that the lock operates normally.

#### Plunger button

- Close the door
- Insert the key into the tumbler
- Check the tumbler play. This play is considered as acceptable when it is possible to rotate the tumbler by pushing gently on the key. It is considered as excessive if one must pull the plunger button in order to turn the tumbler.
- If the plunger button end play is excessive, modify the striker plate adjustment by moving it towards the outside of the vehicle. During this adjustment, take care to hold the striker plate in the centre of the two flanges on the striker plate.

#### Inside door handle.

- Pull the inside door handle as far as it will go to the "open" position and push the door gently with the hand with which you are holding the handle. The operation is considered as defective if one is obliged to push with the elbow or the shoulder in order to keep the door open.

#### Remark :

Although the lock may operate satisfactorily in the "door open" position, it is possible that when the door is closed there is insufficient rotation on the bolt to free it from the striker plate. (play take up, tension in the remote control link, pressure on the end of the bolts, which are larger than when the lock is checked in the open position).

#### Causes of incorrect operation :

- Remote control casing to be adjusted or replaced in the case of insufficient travel.
- Distorted remote control lever (replace the plate)
- Striker plate to be adjusted (depth adjustment).

Refit the trim to the door.

- Wipe a rag covered in number 1 bearing grease over the upper and lower flanges on the striker plate guide.

### Door adjustment

When the door striker plate has been correctly adjusted it is possible that the two door panels are not exactly flush.

In this case, adjust the rear door to bring it flush by means of the hinges screwed on the centre door pillar.

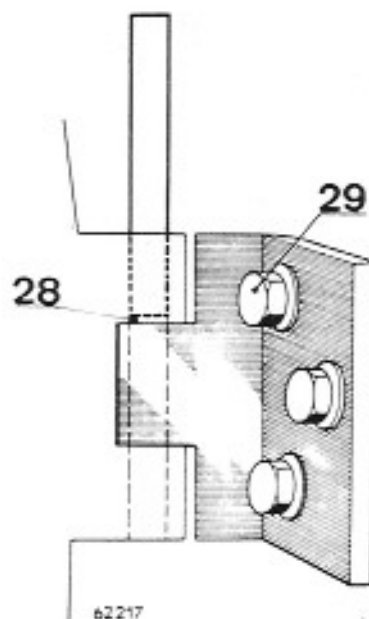
However, under no circumstances should the tops of the door be out of true to the centre door pillar and quarter pillar by more than 2.5 mm (3/32")

### Lock tumbler lubrication

The lock tumblers are to be lubricated using SEBACATE D'OCTYLE which is available from the Central Spares Stores under the No 8 566 742. However, we should like to warn you that this product can mark paint work. It is therefore essential to take every care when applying it.

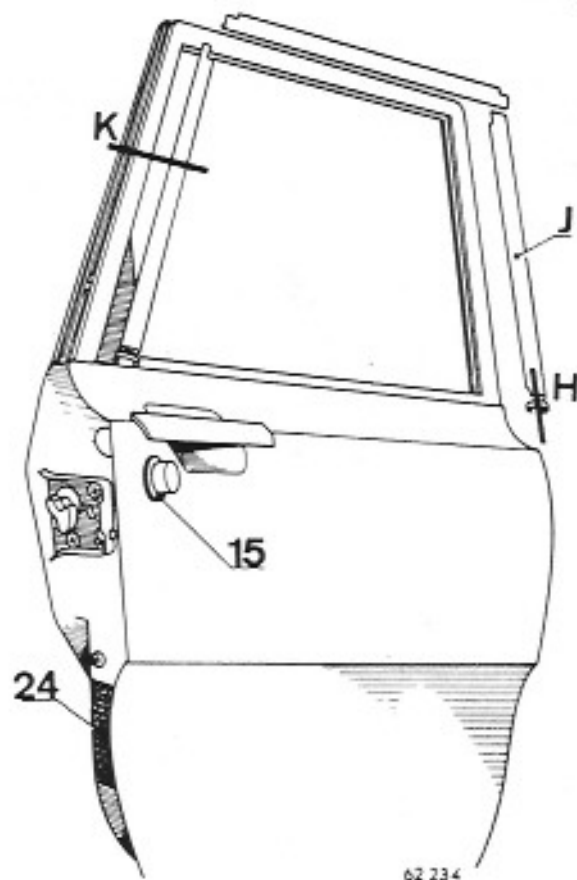
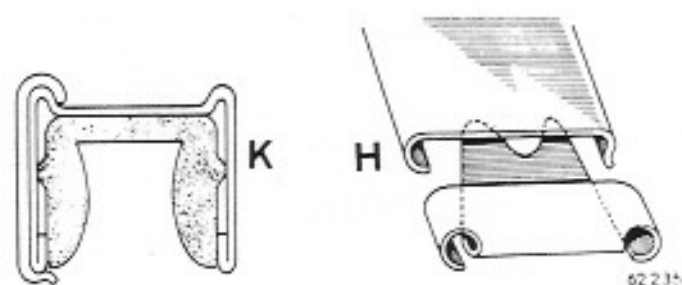
### Fitting and adjusting the door

- Insert the upper and lower hinge pin until they are flush with the tenon at (28).
- Position the door and push in the pins.
- The door is adjusted by altering the position of adjusting screws (29) which secure the upper and lower hinges to the front door pillar.
- The doors are adjusted so that they are flush by adjusting the striker plate on the centre door pillar.



62217

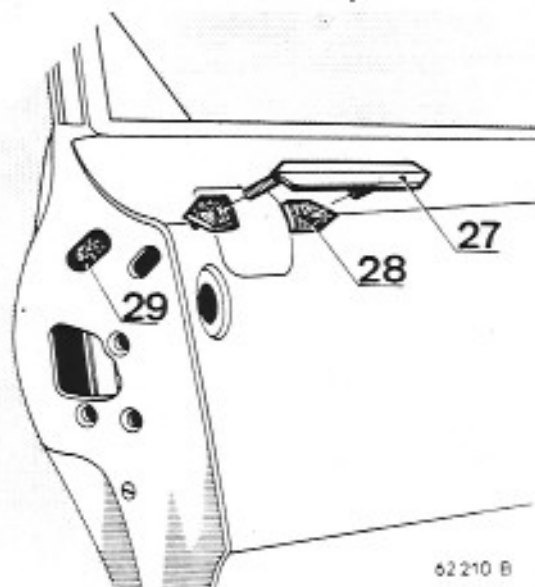




- Fit the door frame embellishers as follows :
- Fit clips (H) to the mouldings
- Fit moulding (J), followed by moulding (K).
- Fit the reflector panel to the door edge (24), it is self adhesive.

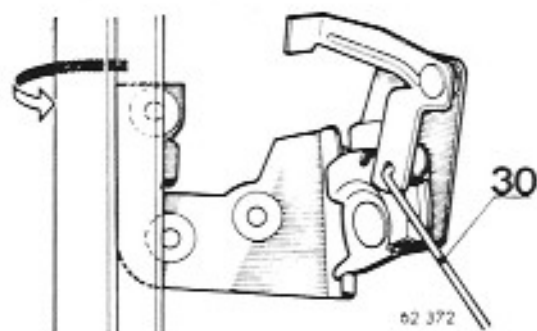
## REAR DOOR LOCKS

### Refitting :



### Fit :

- the outer door handle (27) together with its seals (28) and rubber plug (29)
- the door lock (see page 26)
- the rubber sealing ring on the plunger button.

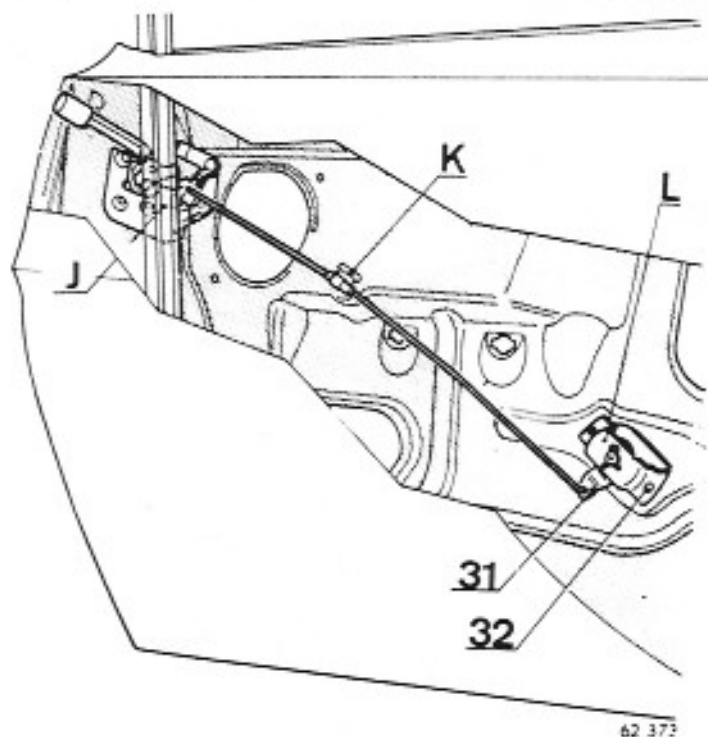


- Fit remote control (30) to the inner plate.
- Fit the inner plate by passing it behind the window slide (shown by arrow)
- Secure the lock and the plate to each other.

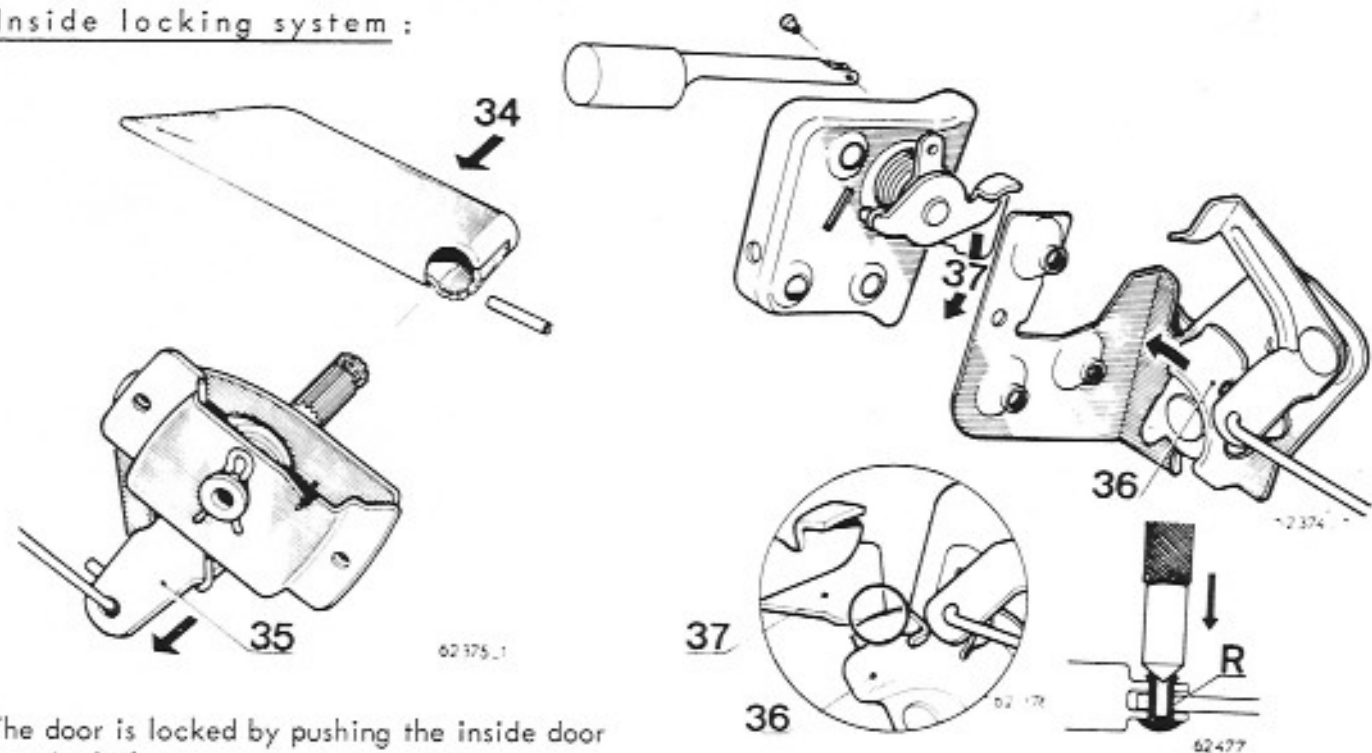




- Fit the remote control to the inside door handle hinge (31) the plate is secured by two screws (32).
- Fit clip (K) to the door body.
- Ensure that it operates correctly.
- Tighten the screws (32).
- Fit the plastic clip cover.



### Inside locking system :



The door is locked by pushing the inside door handle (34) inwards thus causing lever (35) to move forwards and move, through the remote control, the hinge (36) forwards preventing the lock (37) from rotating in a downward direction and thus preventing the door being opened from the outside.

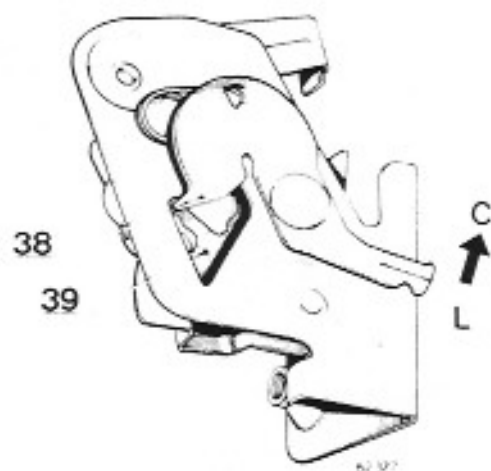
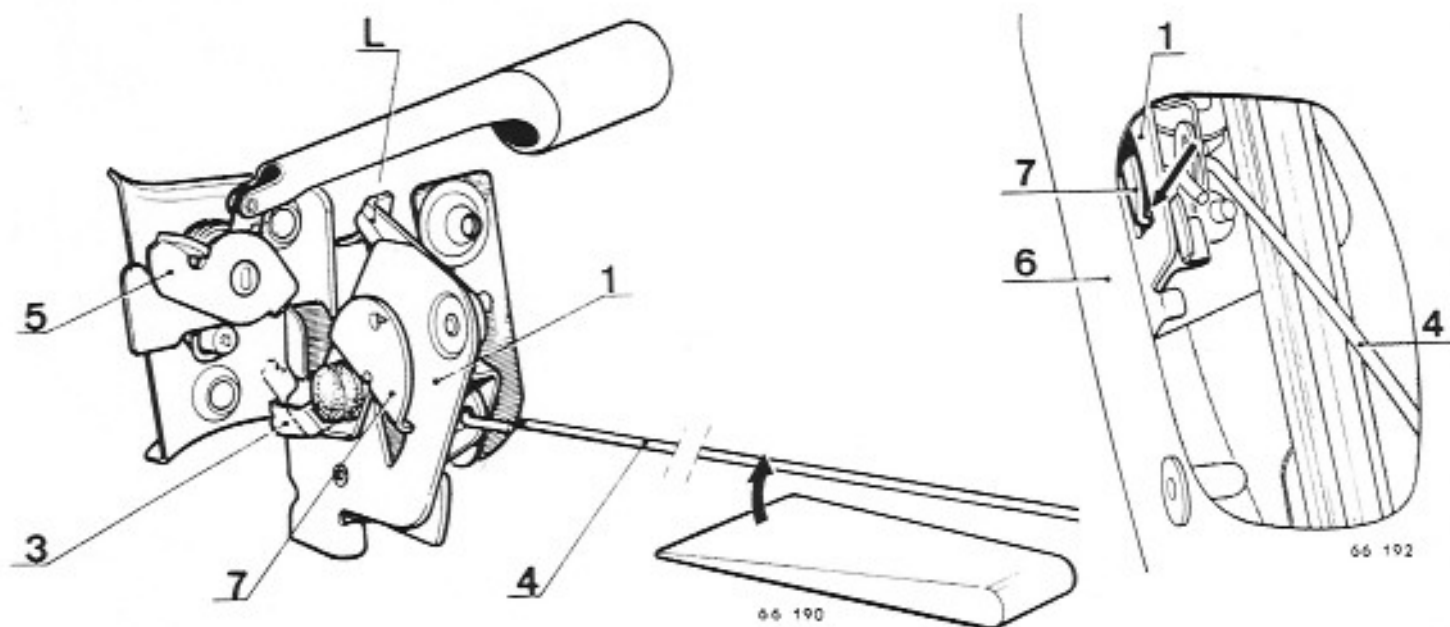
- To unlock, press handle (34) downwards.
- The plunger button is secured to the lock by means of a hollow rivet 3 mm (1/8") in diameter (R).

Childproof locking system :

This makes it impossible to open the door from inside the vehicle. Lug (38) prevents hinge (39) from operating. The childproof locking system cannot be used when the inside lock is applied, that is to say when the inside door handle is pushed inwards.

C = Lock applied

L = unlocked.

Tightening the rear locks in position :

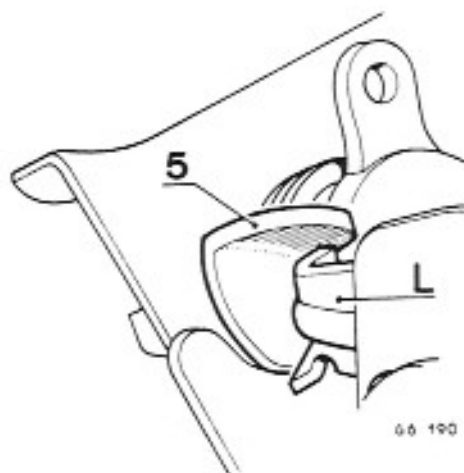
These locks were modified during July 1966. This modification involved increasing the thickness of the steel and changing slightly, the curvature of hinge lever (L). To free a lock, which is found impossible to open from either the outside or the inside, operate as follows.

Remove :

The arm rest, the inside door handle, the window winder.

The rear seat back.

The trim panel and the klegetel seal panel at the lock end.



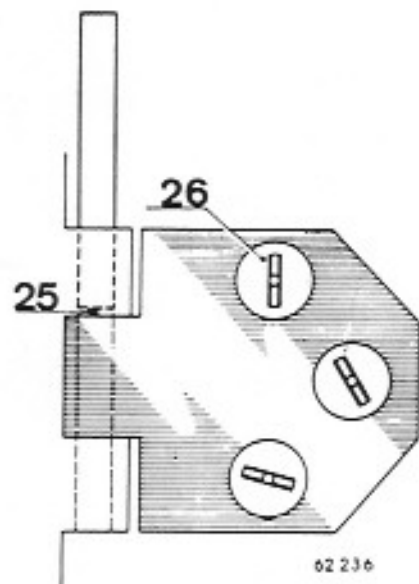
From inside the vehicle, between the door body (6) and the inside plate (1) push down the lug on the childproof locking system by means of a screw driver (see arrow).

This movement permits one to push lug (7) downwards and thus free bearing (5).

To open the door, push on the plunger button and lift the inside door handle, inside the vehicle, (which has temporarily been refitted simultaneously).

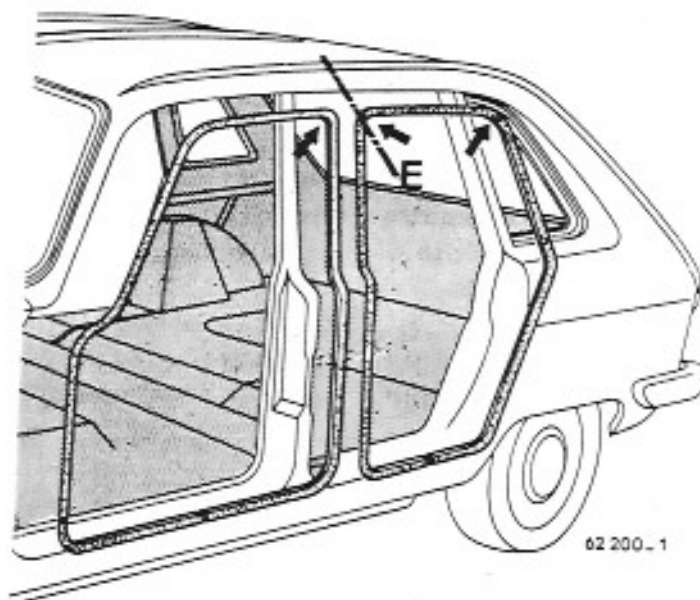
When the door is open, remove the assembly and replace the distorted lock plate.

### Fitting and adjusting the door :



- Insert the upper and lower hinge pins until they are flush with the first tenon (25).
- Offer up the door and push in the hinge pins.
- The door is adjusted by means of the TacL screws which secure the upper and lower hinges to the centre door pillar.
- Adjusting the rear door so that it is flush with the rear wing is carried out by means of the screws which secure the striker plate to the door pillar.
- We advise you to use a No 4 Champion screw driver for the TACL screws.

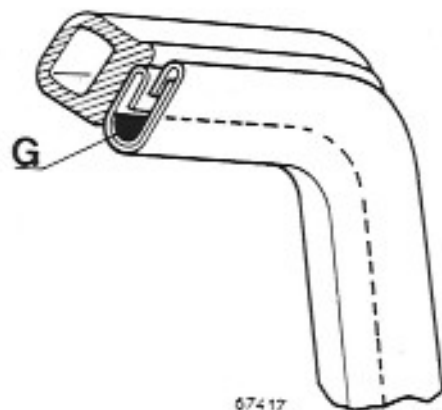
### DOOR SEALING



The doors are sealed by a hollow rubber beading forced into the door aperture framing.

Length required for a front door :  
3310 mm (123 1/4")

Length required for a rear door :  
3170 mm (122 1/16")



Before fitting the seals to the vehicle, apply a small strip of 503 sealing compound in the bottom of groove (G) shown in section (E) at the upper corners (shown by arrows).