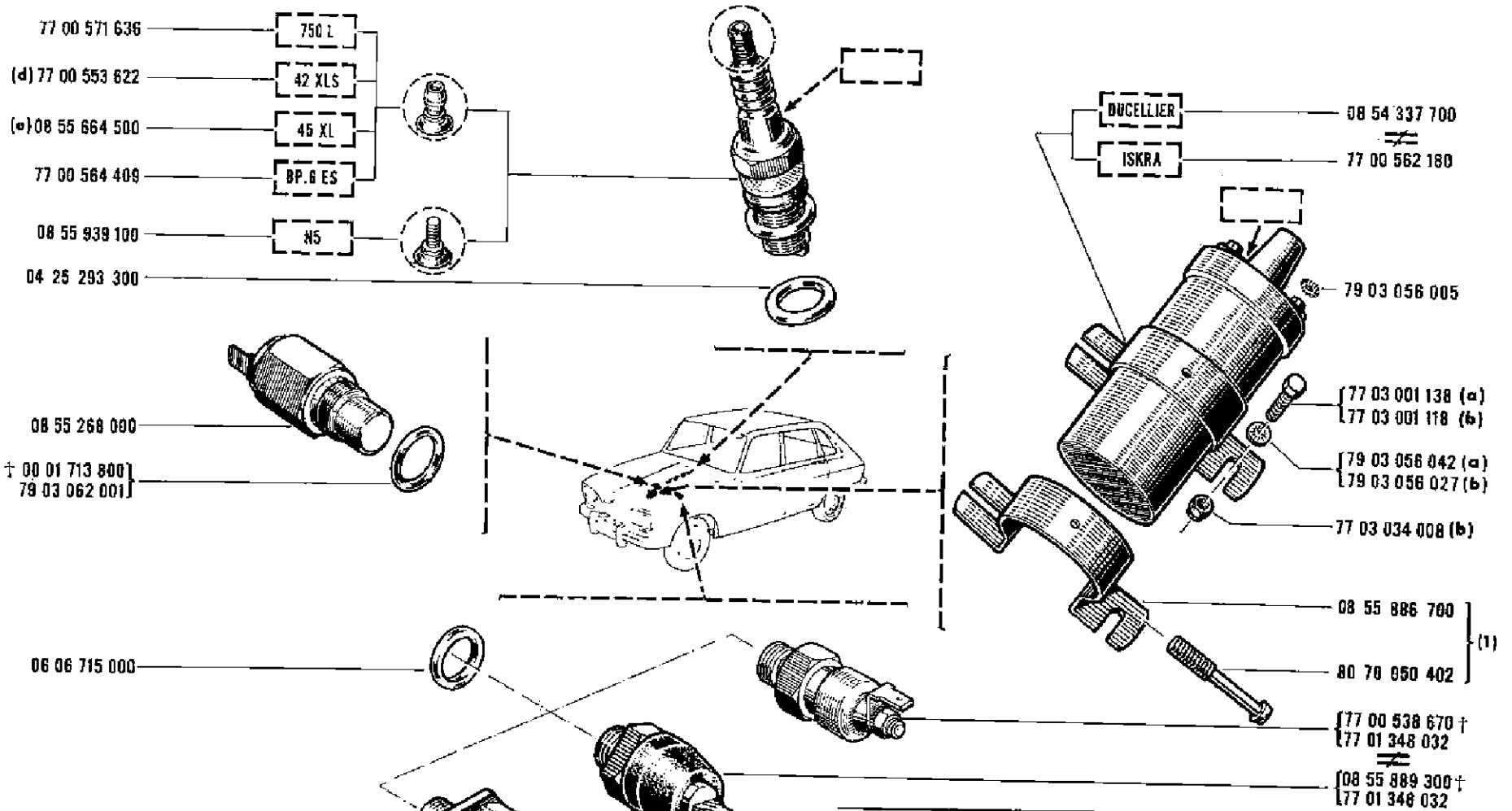
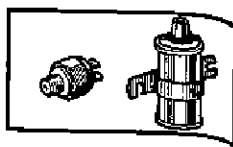


(1) ☒	4270	4271
(2) ☒	4219	4220
(3) ☒	4298	4299

(4) ☒	4329	4330
(5) ☒	4220	4271
	4299	4330

(6) ☒	4219
(7) ☒	4220

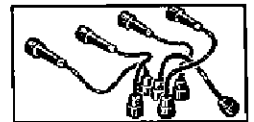


(1) DUCCELLIER

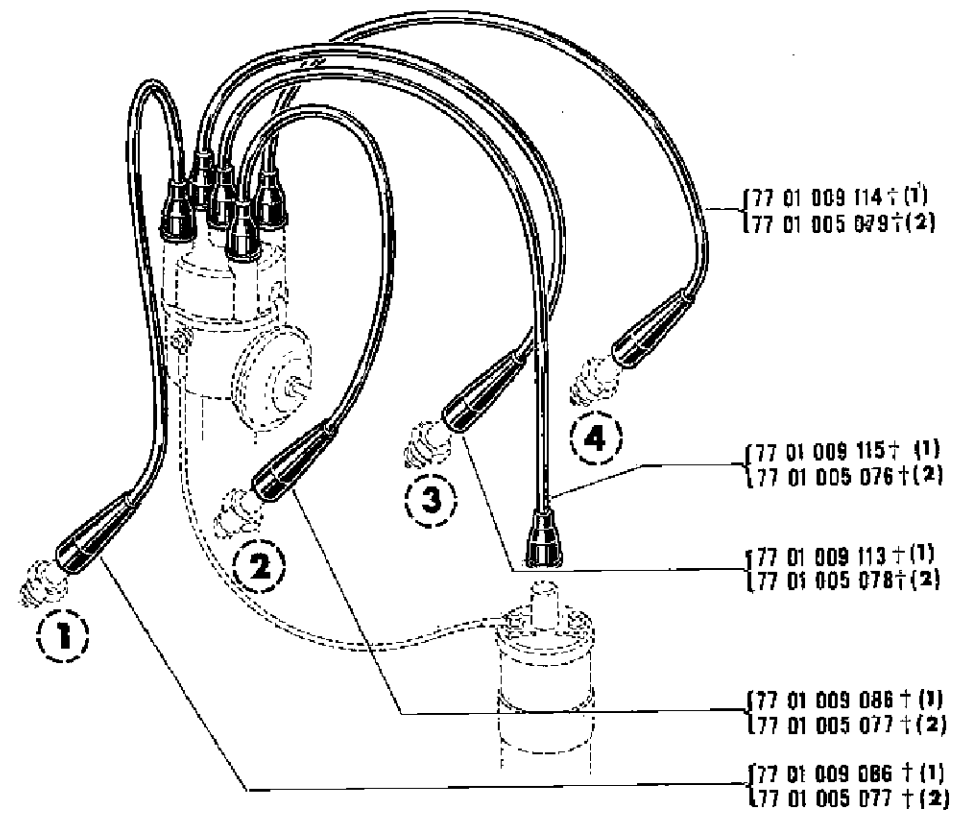
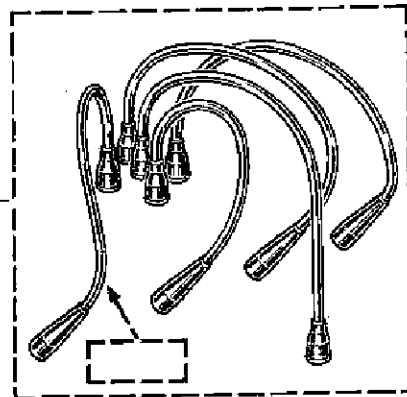
[56] 08 ...

(a)	R 1152	VEN n°	1	⇨	VEN n°	6146
(b)	R 1152	VEN n°	6147	⇨	VEN n°	...
			R 1153			
(c)	R 1152	/141/142	VEN n°	1	⇨	VEN n° 10121

(d)	R 1152	100/101/102/103/120/121/122/123/141/142/143/144/145/146/160/162 166/220/222/240/241/245/246/260/261/262/263/266/267/560/561 562/563/566/600/601/602/660/663/760/781/821/860/861
	R 1153	100/101/102/103/120/121/122/123/141/142/144/145/146/160/162/166 207/220/222/240/241/245/246/260/261/262/263/266/267/560/561 562/563/566/600/601/602/660/700/702/760/761/821/860/861
	R 1152	210/211/232/250/510/511/512/513/515/516/517/531/550/710 810/811/812/816/817
(e)	230	VEN n° 1 ⇨ VEN n° 215564 & [56]
	R 1153	210/211/232/250/510/511/512/513/515/516/517/531/550/810 811/812/816/817 230 VEN n° 1 ⇨ VEN n° 24695



77 00 529 556 — RTF 33  
77 00 519 175 — RTF A11



(1) RTF 33  
(2) RTF A11